



FUJIOH

OILTECH Cooker Hood

800L MK2 (Circulation Type)

800L MK2V (Discharge Type)

Installation & Operation Manual

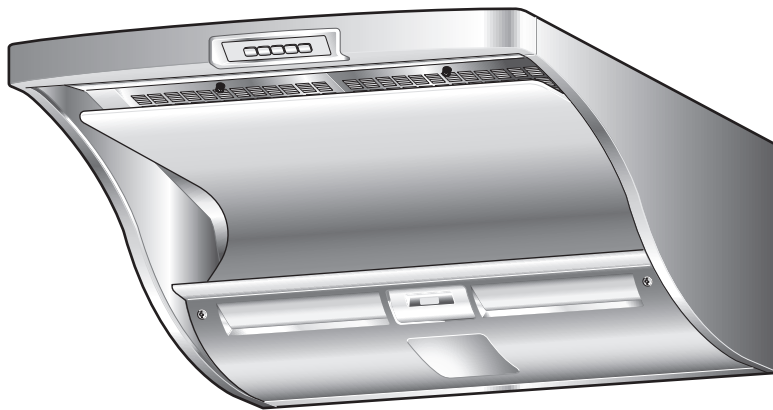


TABLE OF CONTENTS

Safety Precautions	2~3	4. Attaching Duct Cover (Discharge Type)	11
Preparation	4	5. Connecting Power Supply	12
Name of Parts	4	6. Test Run	12
Switches	4	Care and Maintenance	13
Dimensions	5	Detaching Cleaning Parts	14
Circuit Diagram	6	Cleaning	15
Installation	7	Attaching Cleaned Parts	15
Preparation and Check before Mounting	7	Replacing the Light Bulb	16
1. Deciding Discharge Direction (Discharge Type)	8	Other Information	17
2. Mounting Cooker Hood	9	Specifications	17
3. Attaching Exhaust Port (Discharge Type)	10	Repair and Warranty	18

To the sales shop/installer:
After installing, please give
this manual to the user
without fail.

Thank you very much for your purchase of our cooker hood.

Before installing/operating the cooker hood, please read this Manual thoroughly.

Keep this manual in a convenient place for future reference.

- Read the following safety instructions before mounting/operating, and install/use the cooker hood properly and securely.
- These instructions are for correct installation and operation of the product to prevent any risk of hazards or damages inflicting on you or others. The instructions are classified into 2 categories as "WARNING" and "CAUTION" depending on their emergency and severity. Pay attention and strictly observe the instructions as they are critical for safety.

 **WARNING**

Alerts possible risk of **death** or **heavy injury**, if not observed.

 **CAUTION**

Alerts possible risk of **injury** or **physical damage**, if not observed.

Example



⊘ means prohibition. It indicates actions, if any, that mustn't be done.
(Left symbol: Disassembly prohibited)



● means forcible execution. It indicates actions, if any, that must be done.
(Left symbol: Disconnect the plug from the wall outlet)

 **WARNING**



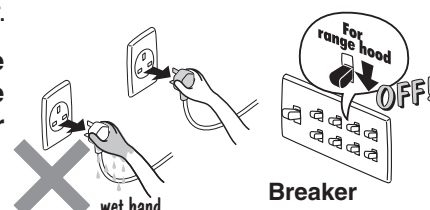
Disassembly, repair, or modification prohibited

- **Never attempt to disassemble, repair, or modify.**
Entrust them to the qualified technician, otherwise fire, electric shock, or abnormal performance may occur.



Disconnect the plug

- **Be sure to disconnect the power plug from the wall outlet, or switch off the breaker when care and maintenance. Also, don't handle the power plug or breaker with wet hand.**



Electric shock or injury may result in.



Wipe off dust

- **When dust accumulated on the blades of the power plug or on their roots, wipe off well.**
Fire may result in.



Pouring water prohibited

- **Don't pour water on the electric parts.**
Fire or electric shock may result in.



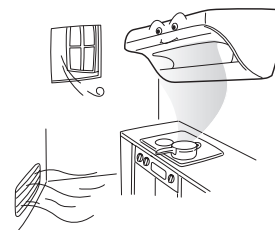
Operation prohibited

- **When there may be a gas leak in your gas hob, don't switch on or off a cooker hood.**
Gas explosion may result in.



Air supply cautioned

- **Choose a mounting location where sufficient air flow is maintained.**
CO poisoning may result if not ventilated adequately while using a natural vent type stove, etc.



Replace the cord if it's damaged

- **If the supply cord is damaged, it must be replaced by the manufacturer, its service agent or similarly qualified persons in order to avoid a hazard.**



Air supply cautioned

- **There shall be adequate ventilation of the room when the range hood is used at the same time as appliances burning gas or other fuels.**



Clean frequently

- **There is a fire risk if cleaning is not carried out in accordance with the instructions.**
Frequency of Cleaning:
 - Clean the filter once a month.
 - Clean the tray if nearly half of it is filled with oil.



Flambé prohibited

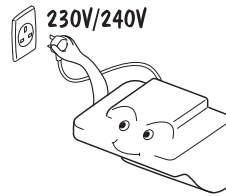
- **Do not flambé under the cooker hood.**

⚠ CAUTION



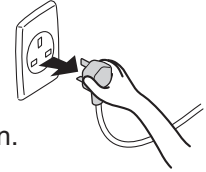
Using prohibited

- **Don't connect to the power voltage other than 230V/240V AC.**
Fire or electric shock may result in.



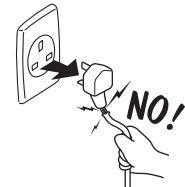
Disconnect the plug

- **Be sure to disconnect the power plug from the wall outlet, or switch off the breaker when not using for a long time.**
Insulation may be deteriorated, and fire or electric shock may result in.



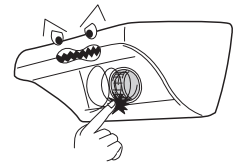
Disconnect by holding the plug

- **When disconnecting the power plug, hold the plug itself. Don't pull the cord anyway.**
The cord may be damaged, and fire or electric shock may result in.



Operation prohibited

- **Don't operate the cooker hood with its panel and filter removed.** Then the cooker hood can't capture oil effectively, and injury may result in if your finger or anything is put into the fan part while running.



Contact prohibited

- **Don't touch the filter or parts around it while cooking.**
The filter or parts may drop, and burn or injury may result in.



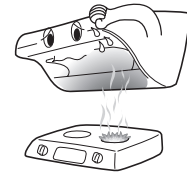
Assembly cautioned

- **Assemble the fan or component parts securely.**
Injury by dropping may result in.



Using prohibited

- **Don't use a gas range with nothing put on it.**
The body of the cooker hood is heated, and it may cause trouble.



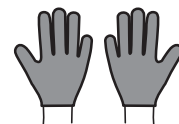
Operation prohibited

- **Switch off the cooker hood at once when oil caught fire while cooking.**
It's dangerous if not stop as fire is built up.



Wear gloves

- **Be sure to wear gloves when care and maintenance.**
Injury by the sharp edges or corners may result in.



Assembly cautioned

- **Mount the body securely after selecting a solid place.**
Dropping may result injury.

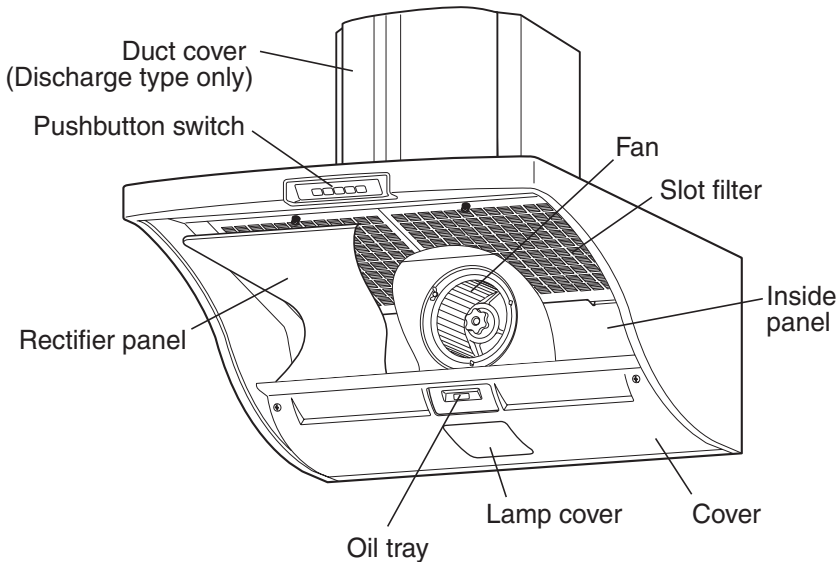


Assembly cautioned

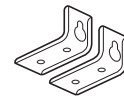
- **Ensure that electric wiring is safe and according to the standard or regulations related.**
incorrect wiring may result in fire electrical shock.

Preparation

Name of Parts



Accessories

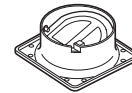


L-shape Hanger (2)



Washer-head wood screw (4)

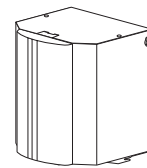
Discharge Type Only



Exhaust port (1)



Soft tape (1)



Duct cover (1)



Wood screw (2)



Washer (2)



Screw (4)

Switches



- Button Push to stop FAN
- Button For light cooking (steaming, and etc.)
- Button For medium cooking (light stir-fry of vegetable, and etc.)
- Button For heavy cooking (deep fried fish, etc.)
- Button LAMP turns ON and OFF

Operating the Cooker Hood

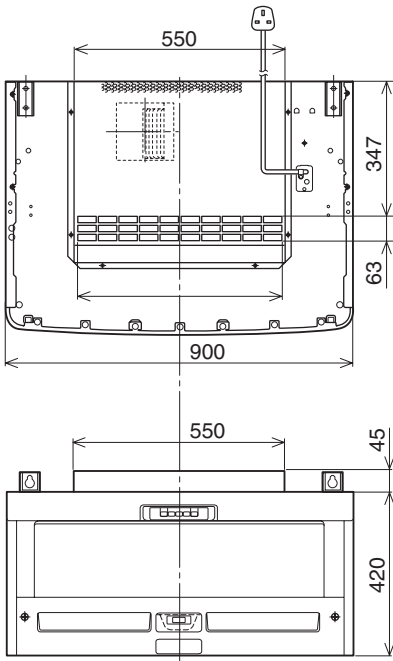
Before operating, make sure that the power plug is connected to the wall outlet. The cooker hood has five pushbutton switches on its front panel.

- 1** Push one of the switches (, , or) according to your cooking need. The fan will start rotating.
- 2** To stop the fan, just push the button.
- 3** Push the button if you want to turn the light on. To turn it off, push the button again.

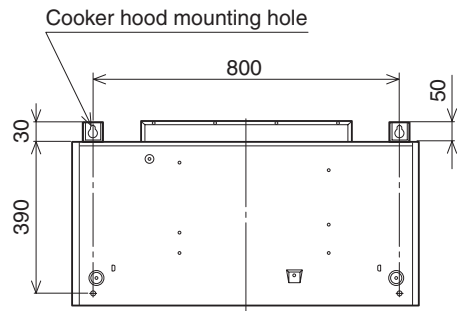
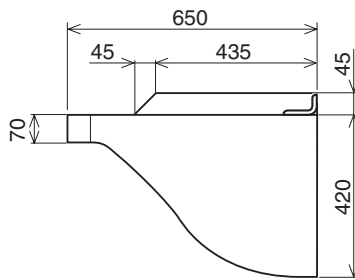
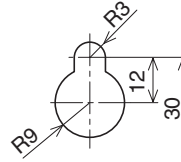
Dimensions

(Unit: mm)

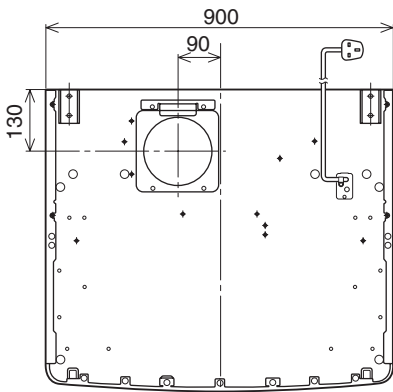
Circulation Type



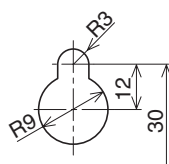
Cooker hood mounting hole detailed



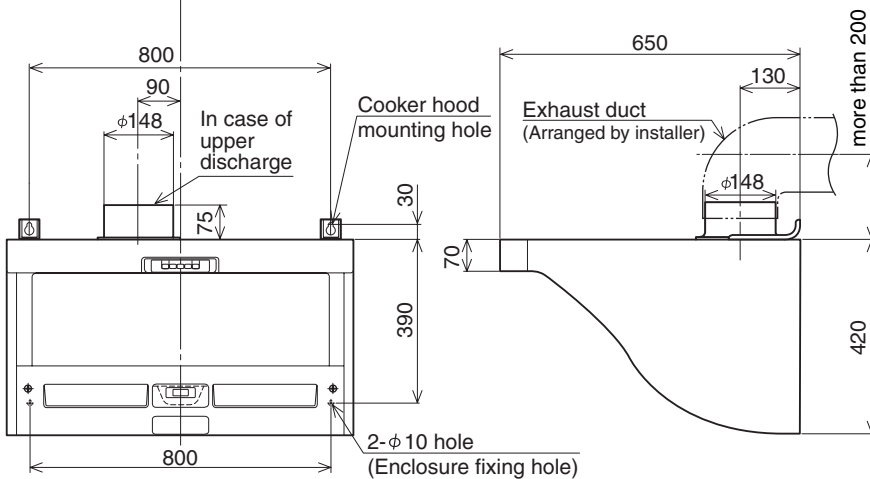
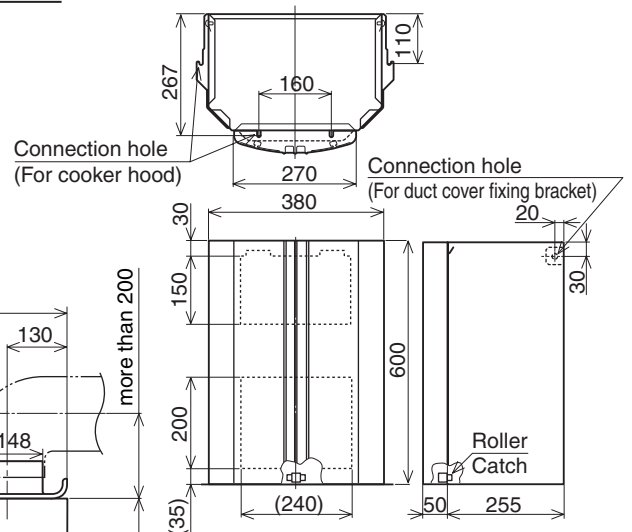
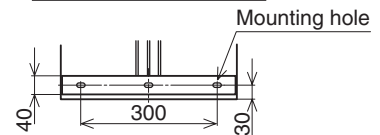
Discharge Type



Cooker hood mounting hole detailed



Duct cover fixing bracket

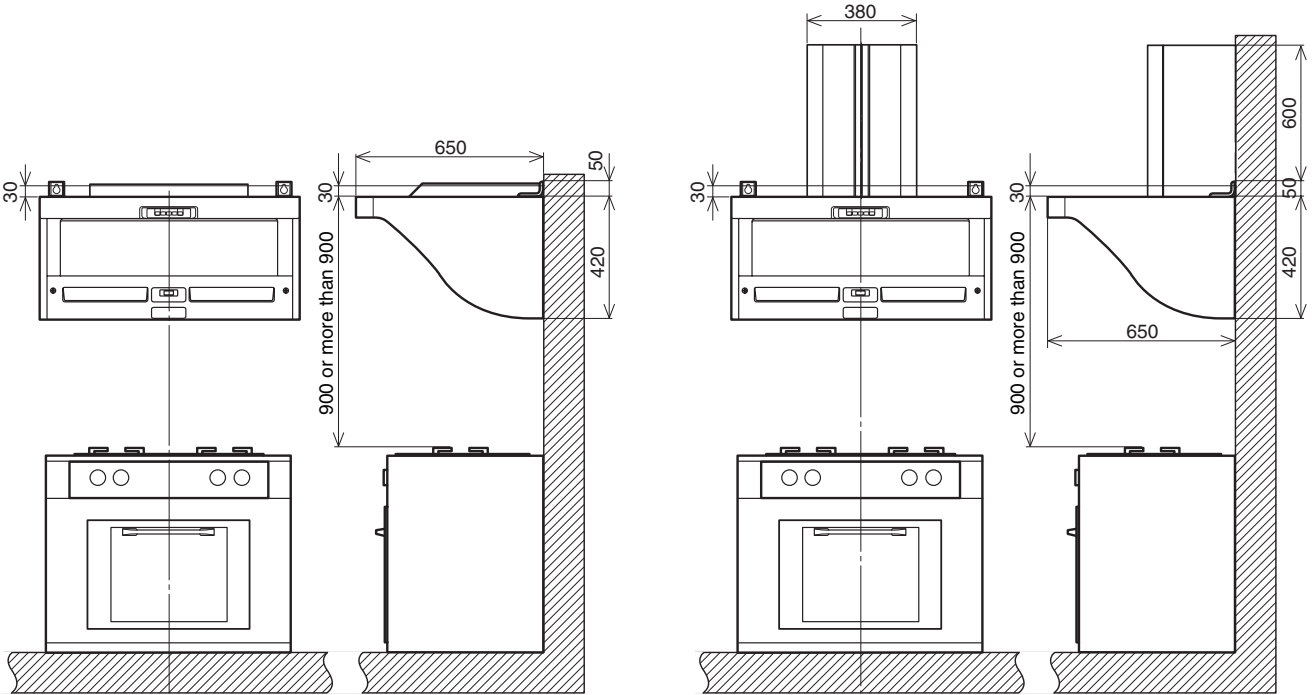


Standard Mounting Height

Mount the cooker hood at a place where more than 900mm between the surface of the gas range and the top of the cooker hood is cleared.

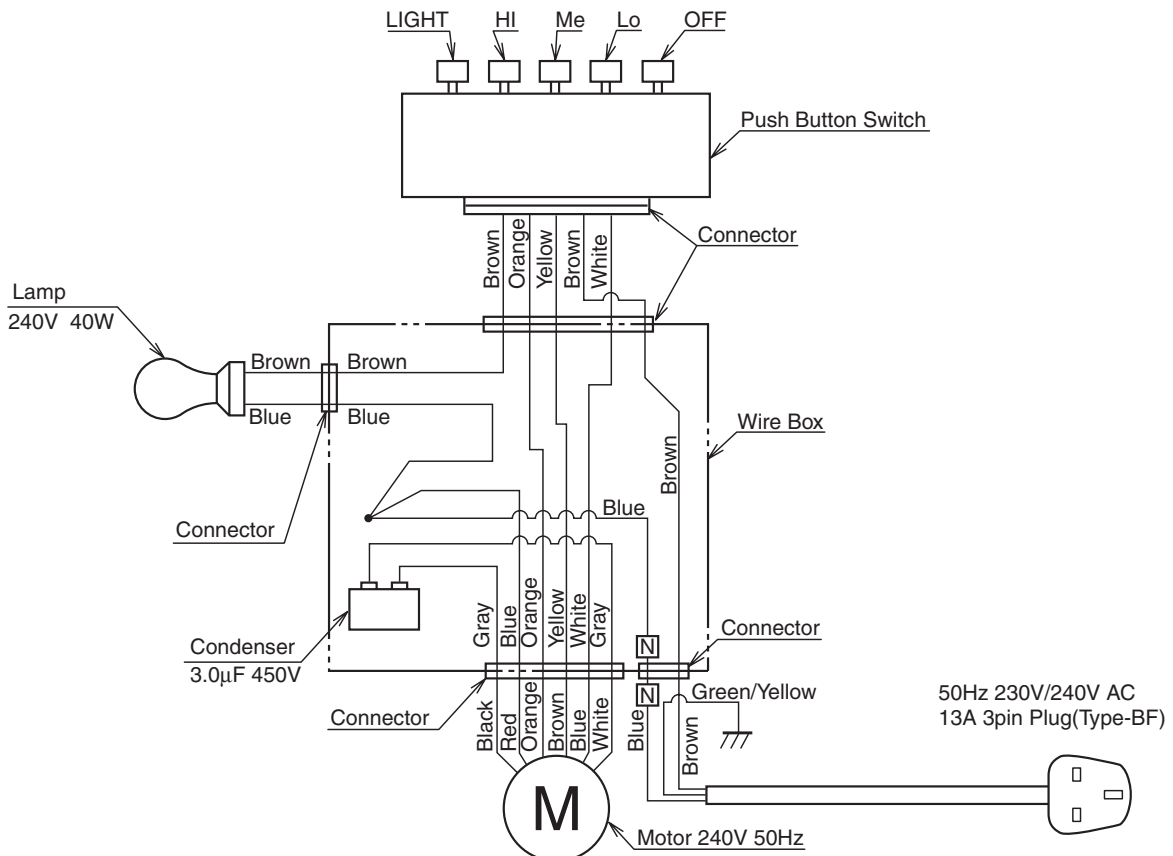
Circulation Type

Discharge Type



Preparation

Circuit Diagram



Installation

Preparation and Check before Mounting

CAUTION

1. Mount the cooker hood carefully and avoid contact with any metal parts (the lath in the wall or the like) of the building.
2. Never embed the body of the cooker hood in the wall. Otherwise, leakage current in the wall, if any, flows to the body of the cooker hood.
3. Use a gas range having a narrower width than that of the cooker hood.
4. Avoid using the cooker hood with changes in the specification, for instance, with modifying the switch.
5. Do not install the cooker hood in a wet area or in other wet rooms since it may result in electric shock or damage.
6. Do not install the cooker hood at a place where its ambient temperature exceeds 40°C, otherwise it may result in failure.
7. To protect your hands from injury, wear working gloves when installing the cooker hood.
8. If the power cord is damaged, it must be replaced by the manufacturer or its service agent or a similarly qualified person in order to avoid a hazard.

1 Checking of mounting surface strength

The mounting surface should have sufficient strength enough to support the cooker hood. Mount the cooker hood on a place durable to support the weight of the cooker hood. (800L MK2: 28.5kg)

■ In the case of boarded wall

- If the thickness is more than 20mm, mount the cooker hood directly to the wall.
- If the thickness is less than 20mm, embed a reinforcing board and mount the cooker hood to this board.

■ In the case of a concrete/tile faced wall

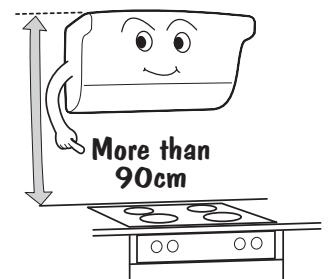
- Embed a reinforcing board in the wall in advance, or use a curl plug or the like.

2 Preparation of Optional Parts

Providing optional parts according to the discharging method is necessary beforehand.

3 Standard Mounting Height

The standard mounting height of the cooker hood is more than 900mm from the surface of the gas range.



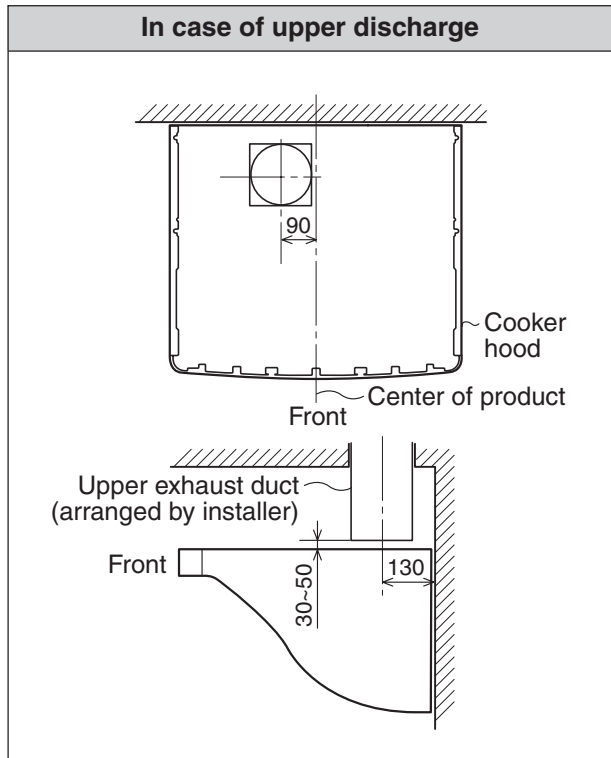
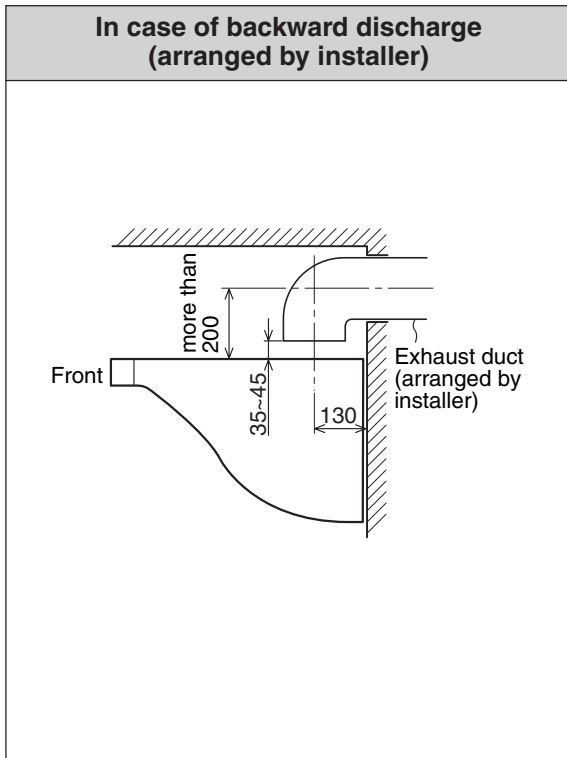
4 Power Supply Plug

The power plug of this cooker hood is 13A 3-pin plug (Type-BF:BS1363). Be sure to use the wall outlet for this type.

1. Deciding Discharge Direction (Discharge Type)

1 Referring to "Dimensions", make a hole on the wall for exhaust duct.

2 Set $\varnothing 150$ stainless or spiral duct positioned above the cooker hood as shown, and perform finish work around it. (In case of concrete, tile, and mud wall)



2. Mounting Cooker Hood

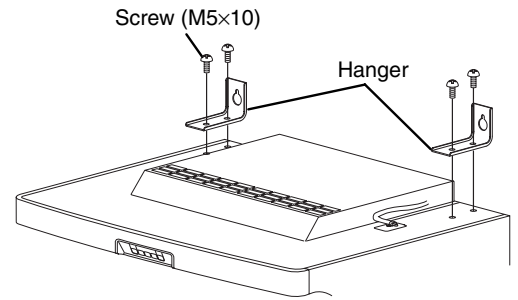
1 Preparing accessories

Take out the accessories such as hanger, exhaust port, screws, etc. from the packing box and check them.

2 Attaching hanger

Attach supplied 2 hangers on the top of the enclosure using 2 screws each. (The screws are supplied with attaching on the top of the enclosure.)

- * Do not use impact driver etc. when tightening screws. The screws may be damaged.

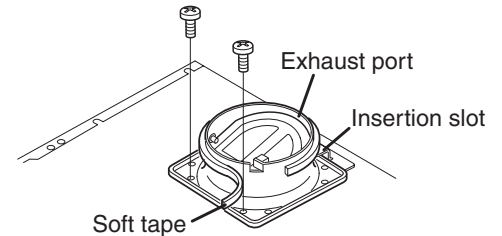


3 Attaching exhaust port (Discharge Type)

In case of upper discharge

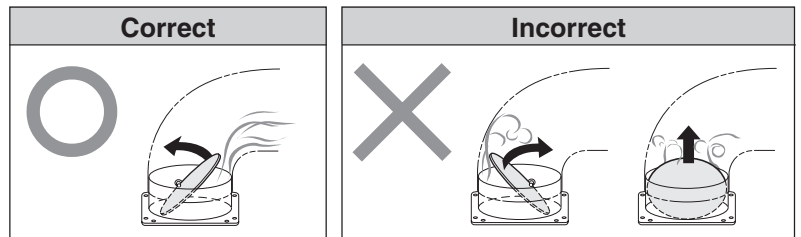
Stick supplied soft tape on the exhaust port, then attach it to the cooker hood.

Insert the exhaust port to the insertion slot on the top of the enclosure, and fix using 2 screws. (The screws are supplied with attaching near the insertion slot.)



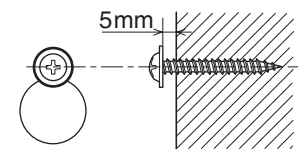
Note

Pay attention to the shatter movement direction when attaching the exhaust port for backward discharge by connecting the duct to the exhaust port. If it's installed as the illustrated incorrect example, it may result in bad discharge, abnormal noise, etc.



4 Mounting cooker hood

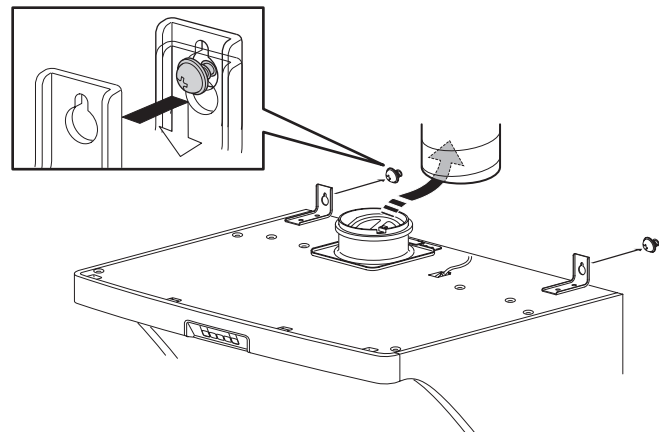
- 1) Insert supplied 2 washer-head wood screws ($\text{Ø}5.1 \times 45$) into the mounting wall for the key-hole positions of the left and right hangers. Keep about 5mm space between the wall and screw-head for hooking the cooker hood.



- 2) Hook the cooker hood on the screws, slide it downward, then tighten the screws firmly.

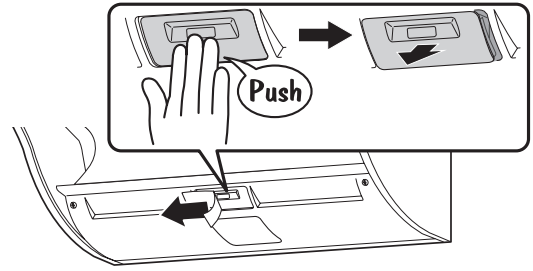
Note (Discharge Type)

In case of upper discharge, hook with inserting the exhaust port into the duct.



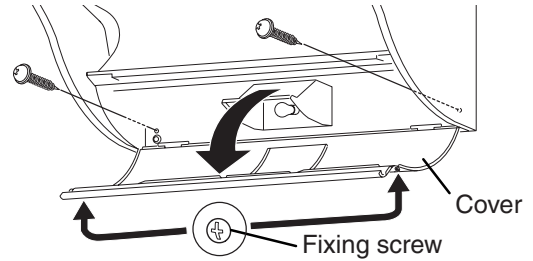
3) Removing oil tray

Push the front of the oil tray. As the oil tray comes out a little, pull it out slowly by holding both sides.



4) Opening cover

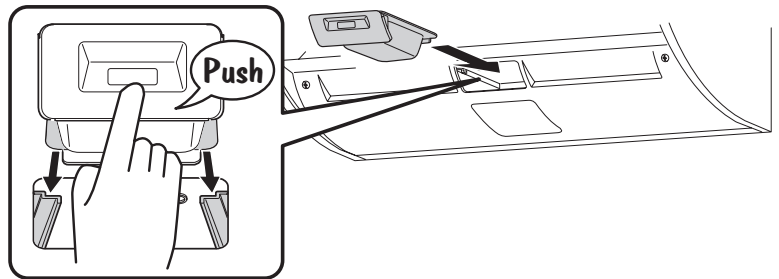
Remove 2 screws fixing the cover, and swing open it as shown.



5) Fixing enclosure

Fix the rear of the enclosure firmly using supplied 2 washer-head wood screws.

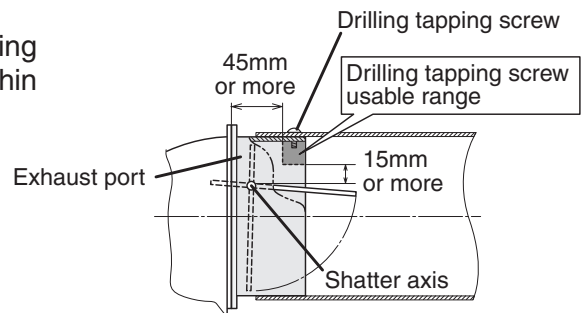
6) Close the cover and fix it with 2 screws, then replace the oil tray in position.



3. Attaching Exhaust Port (Discharge Type)

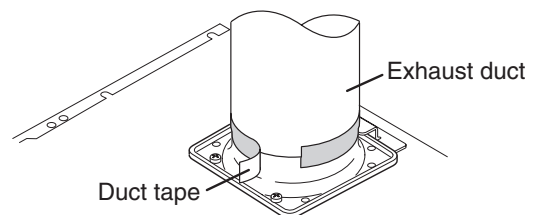
Note

When connecting the exhaust port using drilling tapping screw, be careful not to touch to the shatter. Fix it within the usable range referring to the fig.



Taping duct joint (Discharge Type)

Make the duct joint secure and air-tight using non-flammable tape such as duct tape, etc. (not supplied)



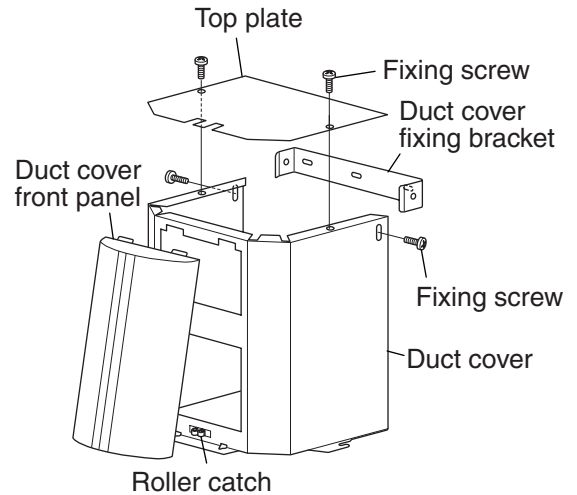
4. Attaching Duct Cover (Discharge Type)

1 Disassembling duct cover

Remove the front panel and duct cover fixing bracket from the duct cover supplied.

Note

In case of upper discharge, remove the top plate also.

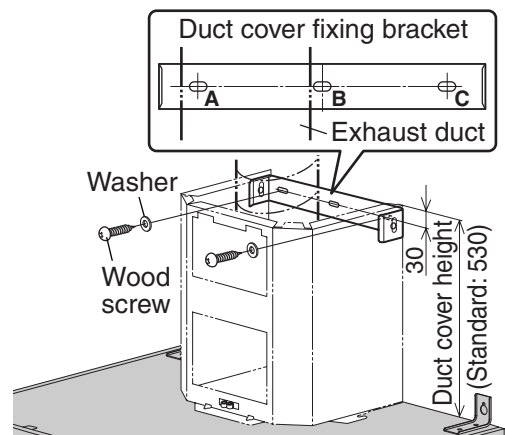


2 Fastening duct cover fixing bracket

According to the height of the duct cover, fasten the duct cover fixing bracket on the wall using supplied 2 washers and wood screws.

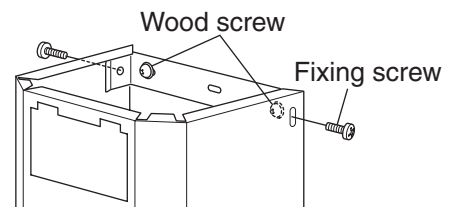
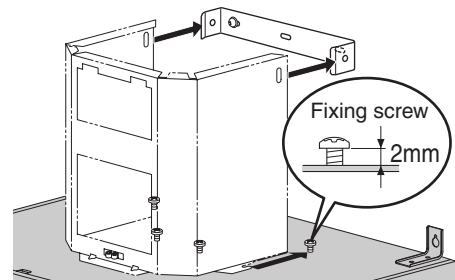
Note

Use fixing hole A, C for backward discharge, and B, C for upward discharge.



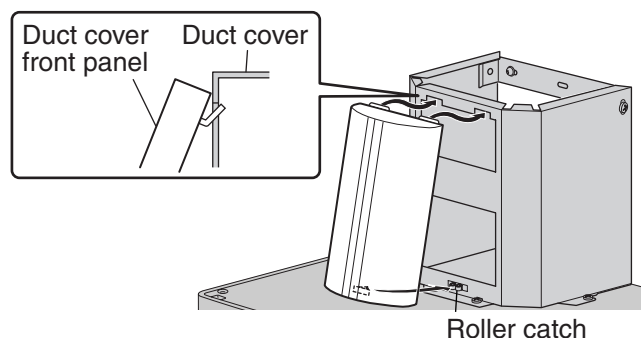
3 Fixing duct cover

- 1) Insert supplied 4 screws on the top of the enclosure as shown. Be sure to keep about 2mm space between the top and screw-head.
- 2) Put the duct cover with aligning its 4 bottom cutouts with the screws, slide it backward, then tighten 4 screws securely.
- 3) Fix the upper left and right sides of the duct cover to the duct cover fixing bracket with 2 screws.
- 4) Tighten 2 wood screws for the duct cover fixing bracket firmly.



4 Attaching front panel

Replace the front panel with engaging its top notches first, then pushing its bottom to set into the roller catch.




5. Connecting Power Supply

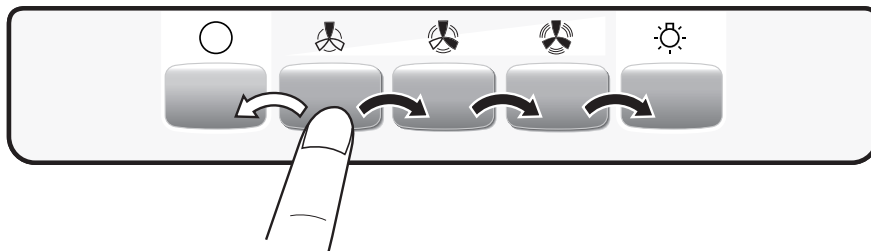
Power supply

Connect the power plug to the wall outlet.

6. Test Run

Installation

- 1 While operating the cooker hood by pushing the applicable pushbutton switches, check the air flow or presence of abnormal vibration or the like.
- 2 The lamp is turned on and off when the  pushbutton switch is pushed, refer to the operation manual for details.

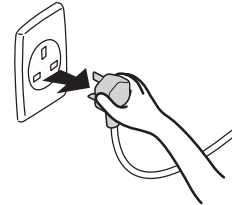


Care and Maintenance

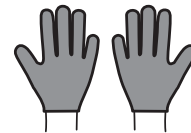
Clean the cooker hood as many times as possible (especially, clean the slot filter once every month) as it will become very dirty. For a family size of 4 to 5 people and cooking twice a day, clean the filter once every two weeks. If the cooker hood is left unattended for a long time, much oil is accumulated and it will become difficult to remove the hardened grease.

Caution for Maintenance

- Before replacing the light bulb or cleaning the cooker hood, be sure to turn off the switch by pressing ○ button, and disconnect the power plug from the receptacle.



- For safety, always wear a pair of rubber gloves while cleaning the filter.



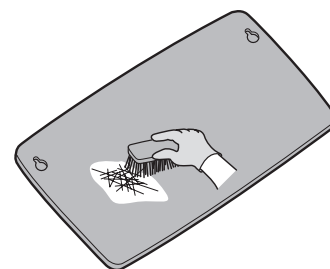
- Especially, be careful to prevent electric parts such as the motor, switch, connectors or the like from being splashed with water. Do not spray liquid of any type detergent to the electric parts. It's cause trouble.



- Do not use solvents such as thinner, benzine, polishing powder or the like for cleaning the painted surfaces, facing plates, etc. as these parts may become lusterless or scored.



- Do not wash parts with a hard brush or the like for cleaning as it can be damaging.



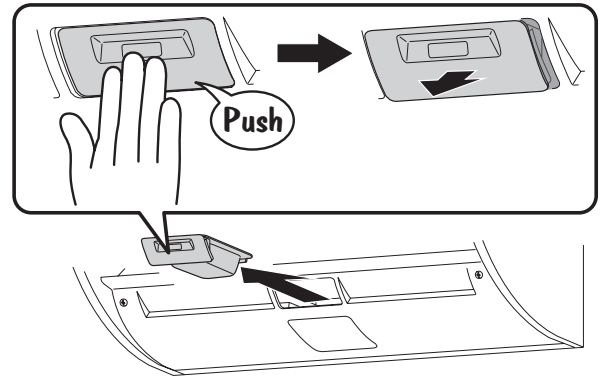
Detaching Cleaning Parts

1 Oil Tray

Push the front of the oil tray. As the oil tray comes out a little, pull it out slowly by holding both sides.

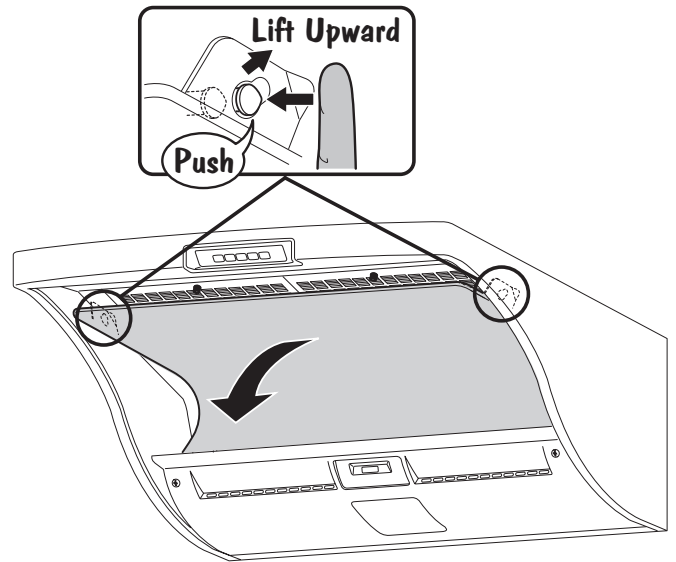
Note

The tray may be filled with oil, so be careful when removing it.



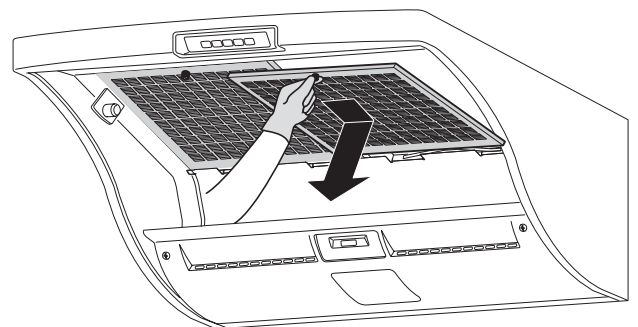
2 Rectifier Panel

Hold both sides of the rectifier panel and lift it upward, push the left and right upper corner metal fitting to unlock. Then, remove it slowly by slanting forward.



3 Slot Filter

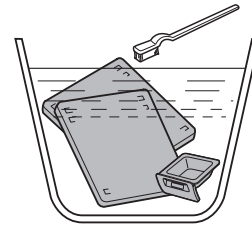
First, loosen the screw to remove the slot filter, then slide it to the arrow direction.



Cleaning

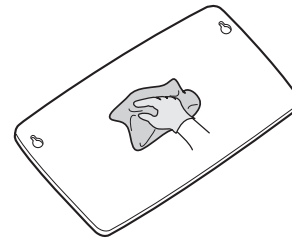
Slot Filter and Oil Tray

After immersing the slot filter and oil tray in a tepid water with a neutral detergent dissolved for 30 to 40 minutes, wash them with a toothbrush or the like to remove dirt.



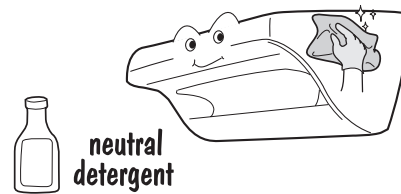
Rectifier Panel

Wash the rectifier panel in tepid water with a neutral detergent dissolved, and then after washed in water, wipe them off thoroughly with a dry cloth.



Cooker Hood Body

After wiping the cooker hood body with a cloth immersed in a neutral detergent and wring tightly, wipe off moisture thoroughly with a dry cloth.



Attaching Cleaned Parts

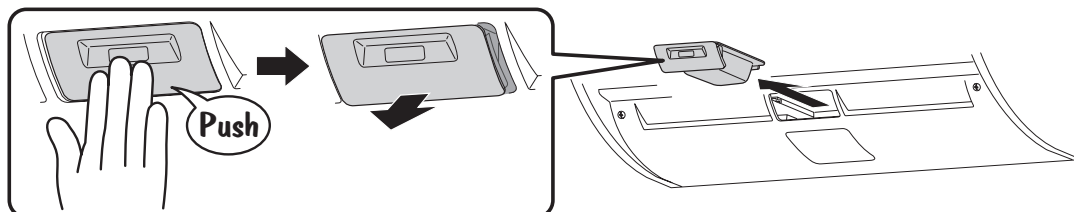
Attaching cleaned parts will be done by following the reverse way of detaching procedure described in Item "Detaching Cleaning Parts".

- (1) Make sure that the slot filter, rectifier panel, oil tray, etc. are fixed and placed the appropriate positions.
- (2) Make sure that there is no abnormal vibration sound.

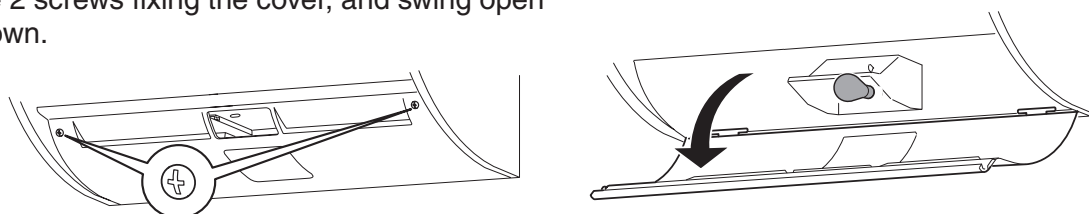
Replacing the Light Bulb

A 40 Watt mini-light bulb has been mounted to this cooker hood. Prior to replacing the light bulb, buy a bulb (in the base diameter 14 mm), rated 230V/240V 40 Watt or below.

- 1 Remove the oil tray**
(Refer to "Disassembling" on Page14).



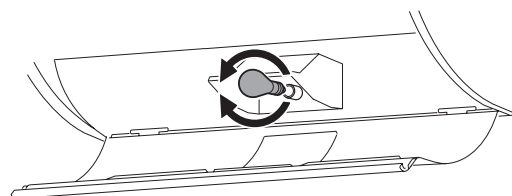
- 2 Open the cover**
Remove 2 screws fixing the cover, and swing open it as shown.



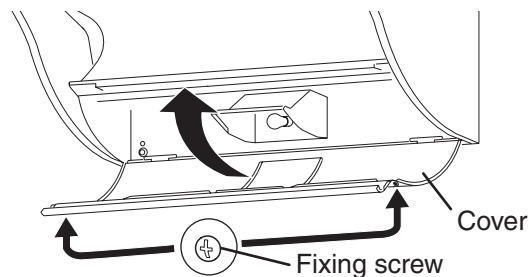
- 3 Replace the light bulb**
Replace the light bulb with a new one.

Note

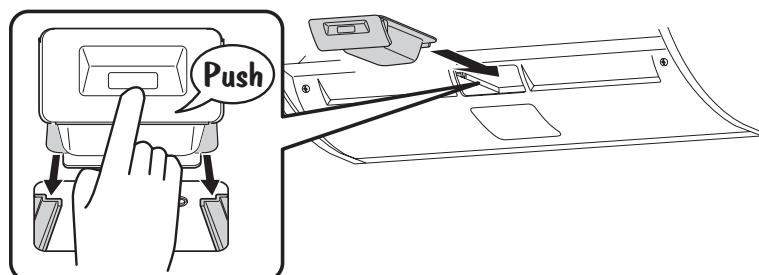
Do not touch the bulb until it has cooled off, or you may burn your hand.



- 4 Close the cover**
Close the cover and fix it using 2 fixing screws.



- 5 Replace the oil tray**
Place the oil tray in position firmly.



Specifications

800L MK2

Rated Voltage (V)	Revolution	Frequency (Hz)	Power Consumption (W)	Power Consumption with Lamp (W)	Air Flow (m ³ /h)	Noise (dB)
230V	Hi	50	100	140	550	51.5
	Me	50	70	110	465	47.0
	Lo	50	55	95	310	36.5
240V	Hi	50	105	145	550	52.0
	Me	50	75	115	475	47.5
	Lo	50	60	100	330	38.0

800L MK2V

Rated Voltage (V)	Revolution	Frequency (Hz)	Power Consumption (W)	Power Consumption with Lamp (W)	Air Flow (m ³ /h)	Noise (dB)
230V	Hi	50	105	145	595	53.0
	Me	50	75	115	475	47.0
	Lo	50	55	95	320	37.5
240V	Hi	50	110	150	615	53.0
	Me	50	80	120	500	48.0
	Lo	50	60	100	345	39.0

Power consumption, air-flow, and noise level are measured according to JIS C9603.

Repair and Warranty

When requesting repair:

- If any abnormality occurs while the cooker hood is in operation, switch off the cooker hood to run, check the following points, disconnect the power plug from the receptacle and consult the shop from which you have purchased your cooker hood.

(1) Whether the fuse in the circuit breaker has been burnt out?

(2) Whether the power plug is not in proper contact with the receptacle?

When consulting the shop, inform the shop the type/model of cooker hood requiring repair and the date when it was purchased.

3
years

- The term of guarantee of the cooker hood is 3 years after it was purchased provided that it was properly used.

5
years

- The minimum retention period of performance parts for repairing the cooker hood is 5 years after termination of manufacturing of the cooker hood.

The performance parts refer to those parts for required to maintain the functions of a cooker hood. However the same kinds of repair parts or interchangeable parts will be supplied for 4 years thereafter.

If the functions can be maintained when repaired, we are willing to repair when ordered by you.

- *The parts used on the cooker hood are subject to partial change without prior notice owing to improvement of performance.*

REGIONAL OFFICE SALES AND SERVICES:

SINGAPORE: FUJIOH INTERNATIONAL TRADING PTE. LTD.
130 Joo Seng Road #05-05
Olivine Building Singapore 368357
Tel: (65) 6286 3286 Fax: (65) 6285 3285
E-mail: fit@fujioh.com.sg
website: <http://www.fujioh.com>

MALAYSIA: ADVANTAGE RESOURCES SDN BHD
No 47, Jalan 1/119, Taman Bukit Hijau,
Taynton View, Cheras, 56000 Kuala Lumpur, Malaysia
Tel: 3-9132 7990 (8 lines) Fax: 3-9132 7780
E-mail: info@fujihome.com
website: www.fujihome.com

Manufacturer: FUJI INDUSTRIAL CO., LTD.
2-1-9 Fuchinobe Chuo-ku Sagamihara-shi,
Kanagawa-ken JAPAN 252-0206

■ Memo

