

Cooker Hood

NL-900R

Installation Manual

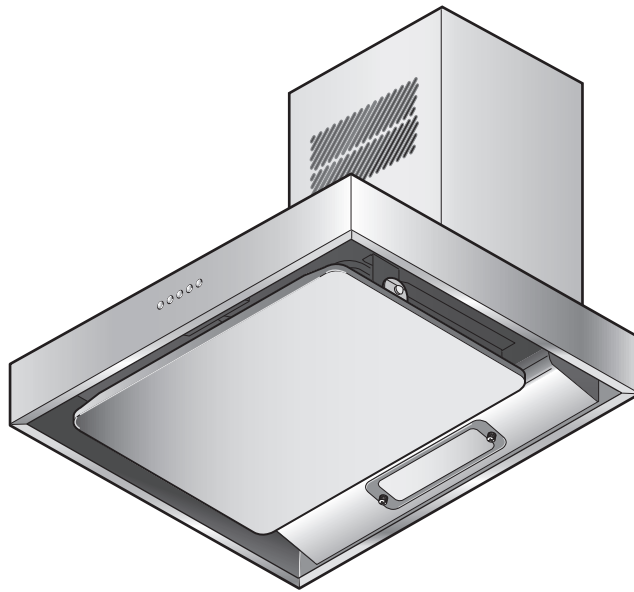


TABLE OF CONTENTS

Safety Precautions	2, 3
Preparation	4
Name of Parts	4
Dimensions	5
Installation	6~11
Preparation and Check before Mounting	6
Cooker Hood Mounting	9
Attaching Duct Cover	10
Operation Check	11

To the sales shop/installer:
After installing, please give
this manual to the user
without fail.

Thank you very much for your purchase of our cooker hood.

Before installing the cooker hood, please read this Manual thoroughly.

Keep this manual in a convenient place for future reference.

- Read the following safety instructions before mounting, and install the cooker hood properly and securely.
- These instructions are for correct installation of the product to prevent any risk of hazards or damages inflicting on you or others. The instructions are classified into 2 categories as "WARNING" and "CAUTION" depending on their emergency and severity. Pay attention and strictly observe the instructions as they are critical for safety.

 **WARNING**

Alerts possible risk of **death** or **heavy injury**, if not observed.

 **CAUTION**

Alerts possible risk of **injury** or **physical damage**, if not observed.

Example



⊘ means prohibition. It indicates actions, if any, that mustn't be done.
(Left symbol: Disassembly prohibited)



● means forcible execution. It indicates actions, if any, that must be done.
(Left symbol: Disconnect the plug from the wall outlet)

 **WARNING**



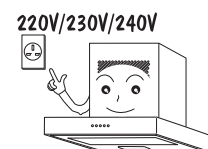
Disassembly, repair, or modification prohibited

- **Never attempt to disassemble, repair, or modify.**
Entrust them to the qualified technician, otherwise fire, electric shock, or abnormal performance may occur.



Using prohibited

- **Don't connect to the power voltage other than 220V/230V/240V AC.**
Fire or electric shock may result in.



Assembly cautioned

- **When passing a metal duct through the wall composed of metal lath, wire lath, or metal board, be careful not to touch these parts electrically.**
Fire or electric shock may result in if leakage current flows.



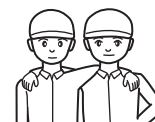
Assembly cautioned

- **Electric wiring must be made properly by the professional installer or personnel.**
Incorrect wiring may be cause of electric leakage or fire.



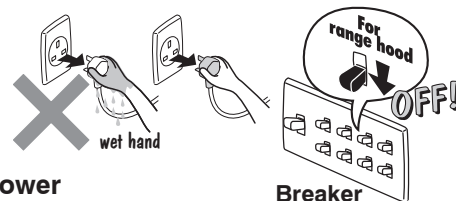
Mounting cautioned

- **Mounting work should be done by 2 persons minimum.**
The weight of the cooker hood is about 26kg.



Disconnect the plug

- **Be sure to disconnect the power plug from the wall outlet, or switch off the breaker when care and maintenance. Also, don't handle the power plug or breaker with wet hand.**
Electric shock or injury may result in.



Wipe off dust

- **When dust accumulated on the blades of the power plug or on their roots, wipe off well.**
Fire may result in.



Pouring water prohibited

- **Don't pour water on the electric parts.**
Fire or electric shock may result in.



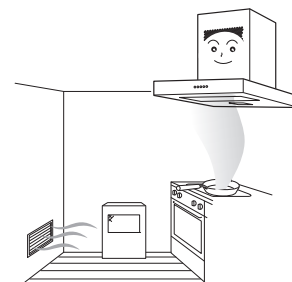
Operation prohibited

- **When there may be a gas leak in your gas hob, don't switch on or off the cooker hood.**
Gas explosion may result in.



Air supply cautioned

- **Choose a mounting location where sufficient air flow is maintained.**
CO poisoning may result if not ventilated adequately while using a natural vent type stove, etc.



Improper discharge prohibited


- **The air must not be discharged into a flue that is used for exhausting fumes from appliances burning gas or other fuels.**


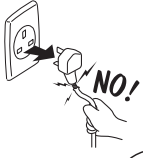
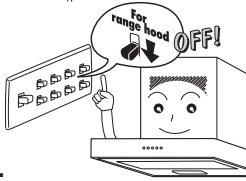

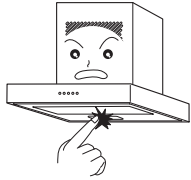
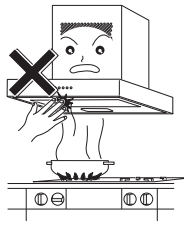
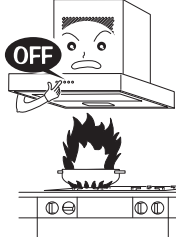

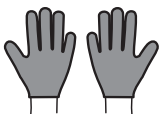


Observe regulations

- **Regulations concerning the discharge of air have to be fulfilled.**

⚠ CAUTION

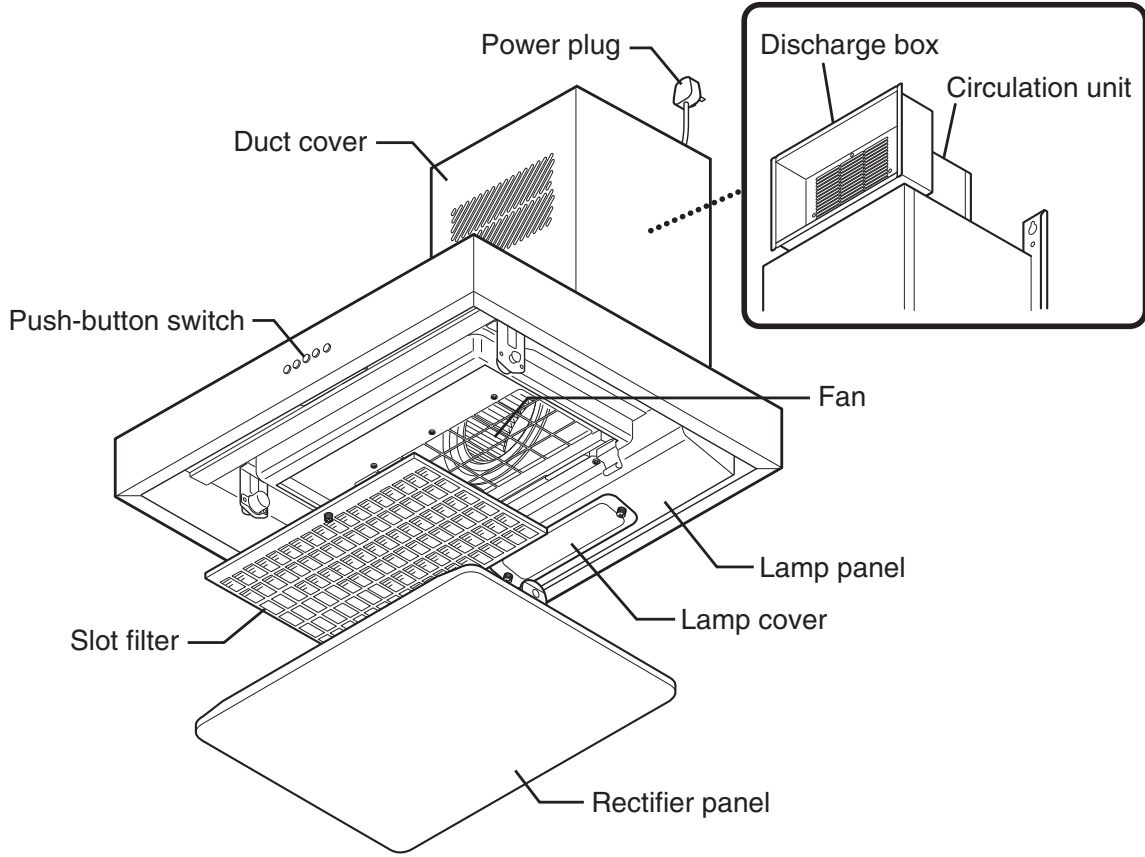
-  Mounting cautioned
-  Improper discharge prohibited
-  Mounting cautioned
-  Disconnect by holding the plug
-  Disconnect the plug
-  Using prohibited
-  Assembly cautioned
-  Assembly cautioned
-  Contact prohibited
-  Contact prohibited
-  Contact prohibited
-  Operation prohibited
-  prohibited
-  Wear gloves
-  Replace the cord if it's damaged

- **Mount the product securely after selecting a solid place.**
Dropping may result injury. 
- **The air must not be discharged into a flue that is used for exhausting fumes from appliances burning gas or other fuels (not applicable to appliances that only discharge the air back into the room).**
- **The minimum distance between the supporting surface for the cooking vessels on the hob and the lowest part of the cooker hood. When the cooker hood is located above a gas appliance, this distance shall be at least 80cm. If the instructions for installation for the gas hob specify a greater distance, this has to be taken into account.**
- **When disconnecting the power plug, hold the plug itself. Don't pull the cord anyway.**
The cord may be damaged, and fire or electric shock may result in. 
- **Be sure to disconnect the power plug from the wall outlet, or switch off the breaker when not using for a long time.**
Insulation may be deteriorated, and fire or electric shock may result in. 
- **Never use the product in a wet place such as bath room, etc. (Use a ventilation fan for bath room.)**
It may be cause of fire or failure if used
- **Assemble the fan or component parts securely.**
Injury by dropping may result in. 
- **Ensure that electric wiring is made safely according to the standard or regulations related.**
Incorrect wiring may result in fire or electrical shock.
- **Don't touch the filter or parts around it while cooking.**
The filter or parts may drop, and burn or injury may result in. 
- **During operation, never insert fingers or other objects.**
Failure or injury may result in.
- **Don't touch the lamp cover or around it.**
As it becomes high temperature, burning may result in. 
- **Switch off the cooker hood at once when oil caught fire while cooking.**
It's dangerous if not stop as fire is built up. 
- **Do not put anything on the cooker hood.**
It may be cause of fire, failure, or injury by dropping. 
- **Be sure to wear gloves when care and maintenance.**
Injury by the sharp edges or corners may result in. 
- **If the power cord is damaged, it must be replaced by the manufacturer, its service agent or similarly qualified persons in order to avoid a hazard.**

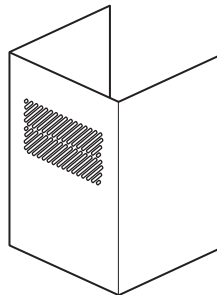
Preparation

Name of Parts

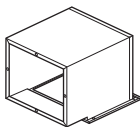
Preparation



Accessories



Duct cover (1)



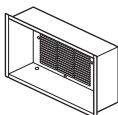
Circulation unit (1)



Washer-head wood screw (Ø5.1×45)(8)



Screw (black, M4×10)(4)



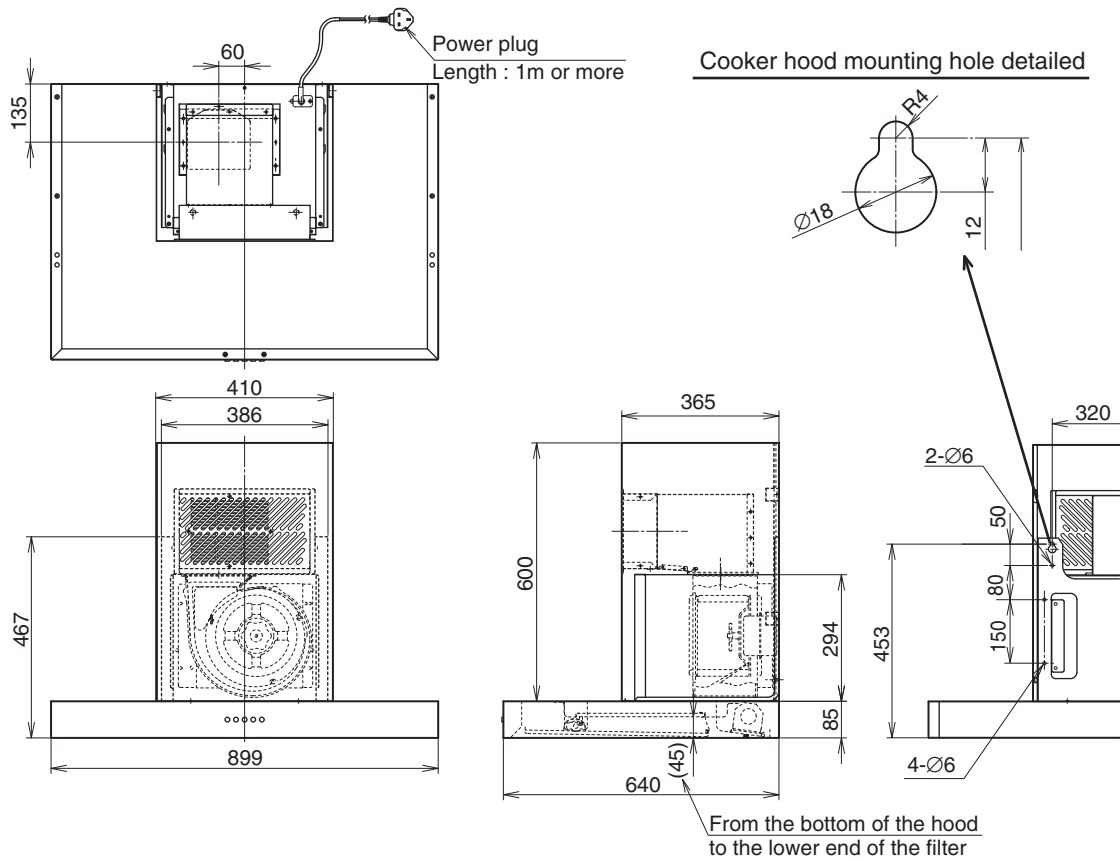
Discharge box (1)



Screw (M4×8)(2)

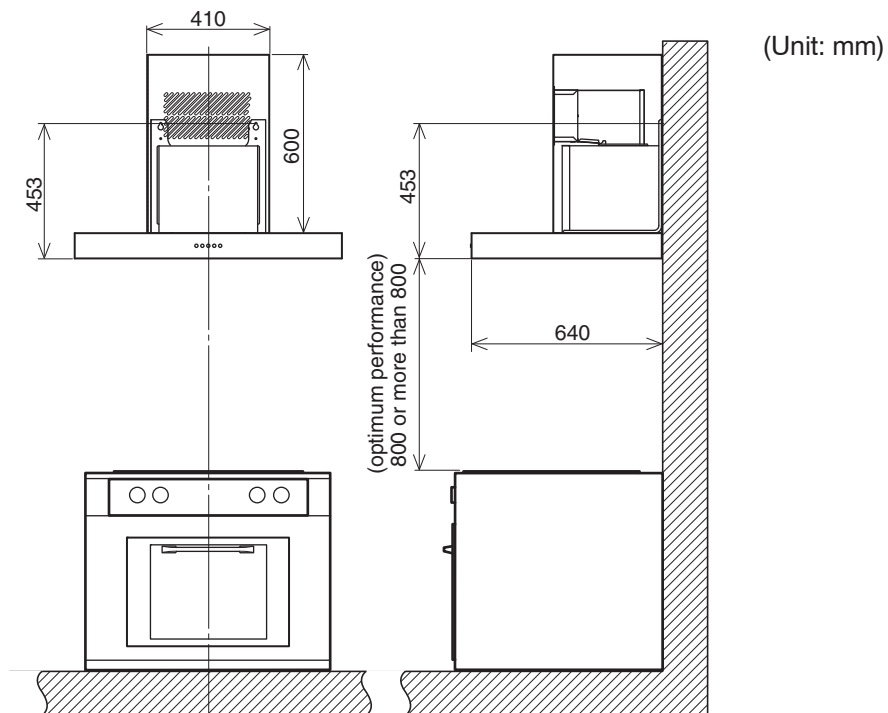
Dimensions

(Unit: mm)



Standard Mounting Height

Mount the cooker hood at a place where more than 800mm between the surface of the gas range and the bottom of the cooker hood is cleared. (800mm for optimum performance.)



■ Installation

Preparation and Check before Mounting

CAUTION

1. Mount the cooker hood carefully and avoid contact with any metal parts (the lath in the wall or the like) of the building.
2. Never embed the body of the cooker hood in the wall. Otherwise, leakage current in the wall, if any, flows to the body of the cooker hood.
3. The air must not be discharged into a flue that is used for exhausting fumes from appliances burning gas or other fuels (not applicable to appliances that only discharge the air back into the room).
4. The minimum distance between the supporting surface for the cooking vessels on the hob and the lowest part of the cooker hood. When the cooker hood is located above a gas appliance, this distance shall be at least 80cm.
If the instructions for installation for the gas hob specify a greater distance, this has to be taken into account.
5. Use a gas range having a narrower width than that of the cooker hood.
6. Avoid using the cooker hood with changes in the specification, for instance, with modifying the switch.
7. Do not install the cooker hood in a wet area or in other wet rooms since it may result in electric shock or damage.
8. Do not install the cooker hood at a place where its ambient temperature exceeds 40°C, otherwise it may result in failure.
9. To protect your hands from injury, wear working gloves when installing the cooker hood.
10. If the power cord is damaged, it must be replaced by the manufacturer or its service agent or a similarly qualified person in order to avoid a hazard.

1 Checking mounting surface strength

The mounting surface should have sufficient strength enough to support the cooker hood. Mount the cooker hood on a place durable to support the weight of the cooker hood. (Weight: 26kg)

■ In the case of boarded wall

- If the thickness is more than 20mm, mount the cooker hood directly to the wall.
- If the thickness is less than 20mm, embed a reinforcing board and mount the cooker hood to this board.

■ In the case of a concrete/tile faced wall

- Embed a reinforcing board in the wall in advance, or use a curl plug or the like.

2 Power supply plug

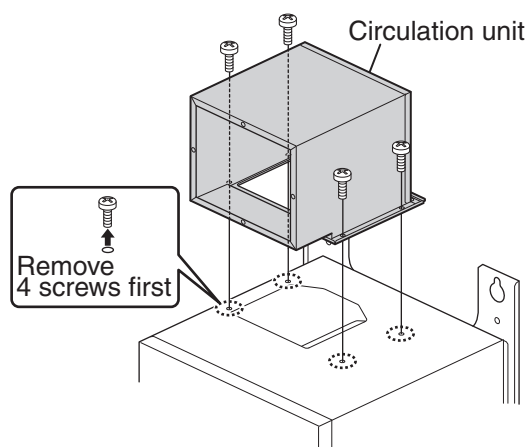
The power plug of this cooker hood is 5A 3-pin plug (Type-BF: BS1363). Be sure to use the wall outlet only for the cooker hood.

3 Checking accessory parts

Take out the main unit and accessory parts (circulation unit, duct cover, etc.) from the packing box, and check whether there is any shortage.

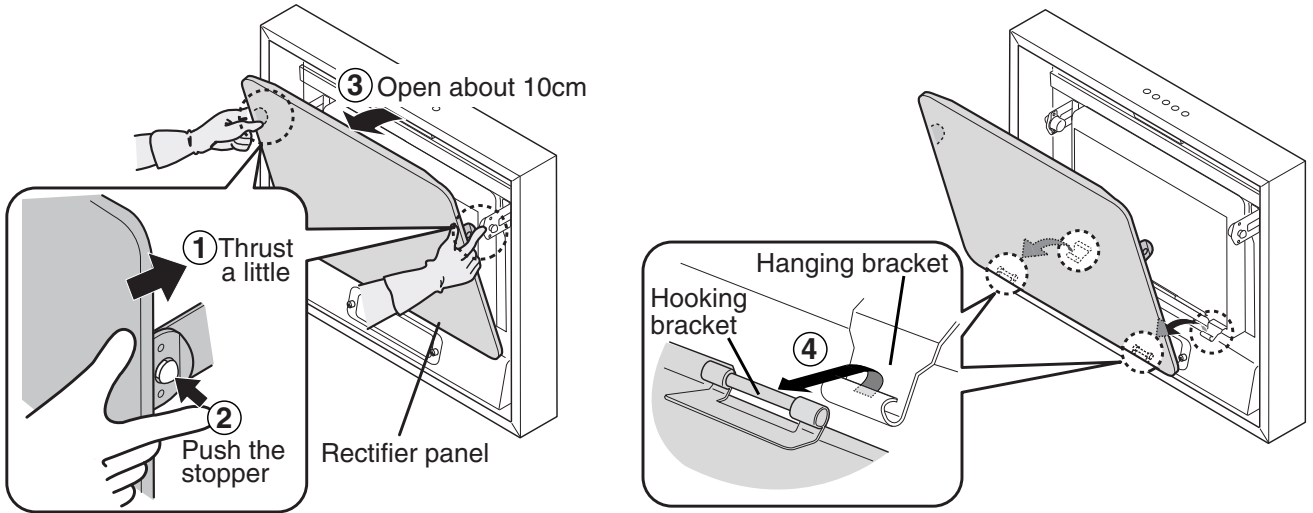
4 Attaching circulation unit

First, remove 4 screws from the top of the cooker hood. Then put the supplied circulation unit on the discharge port as shown, and fix it using 4 screws removed.



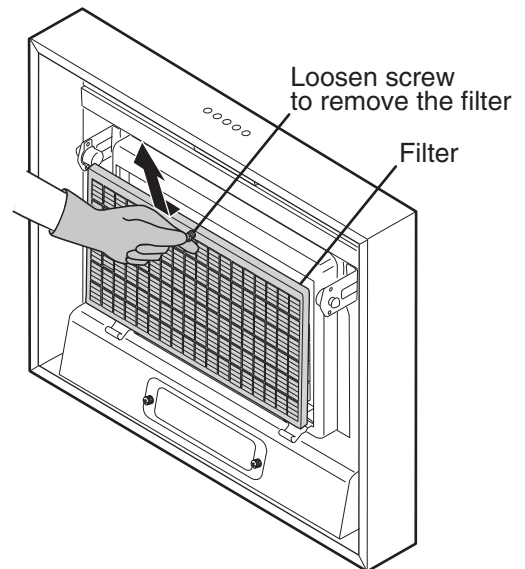
5 Removing rectifier panel

With holding the rectifier panel by both hands, thrust it a little (1) and push the left and right stoppers to unlock (2), pull it slowly to open about 10 cm (3), then push it up and backward to disengage from the hanging brackets (4).



6 Removing slot filter

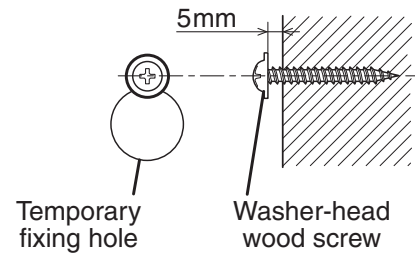
With holding the slot filter by hand, loosen the knob screw and open its front a little to take it out to the arrow direction.



Cooker Hood Mounting

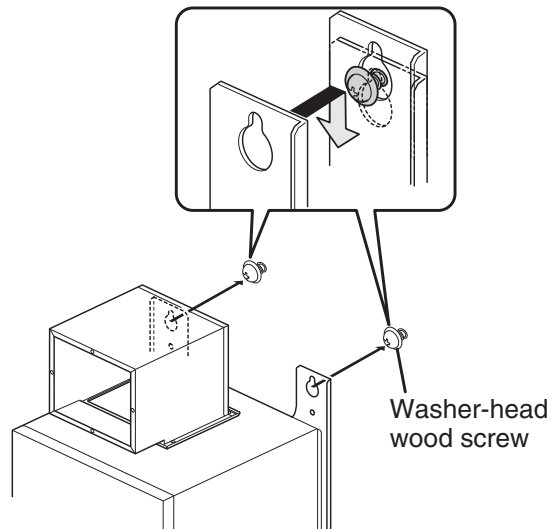
1 Screw in washer-head wood screws on the wall

Referring to "Dimensions" on page 5, insert the washer-head wood screws ($\text{Ø}5.1 \times 45$) into the mounting wall (temporary fixing holes, left and right). Allow about 5mm between the screwheads and wall for mounting the cooker hood.



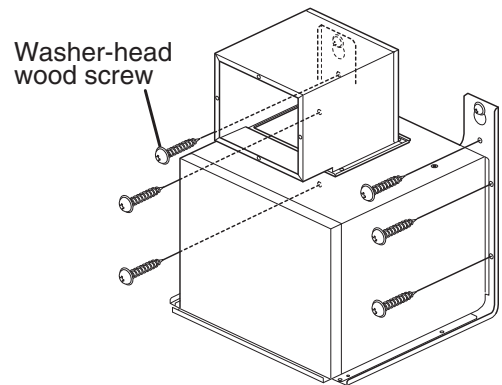
2 Mount the cooker hood

Hook the temporary fixing holes of the cooker hood on the washer-head wood screws prepared in step 1, and tighten the screws.



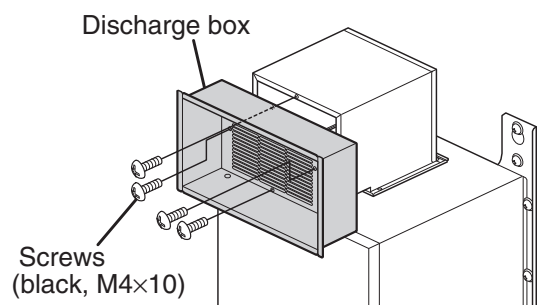
3 Fix the cooker hood

Add 6 more washer-head wood screws to the holes on the cooker hood and tighten them securely.



4 Attach the discharge box

Set the supplied discharge box on the front of the circulation unit, and fix it using 4 screws (black, M4×10) supplied.



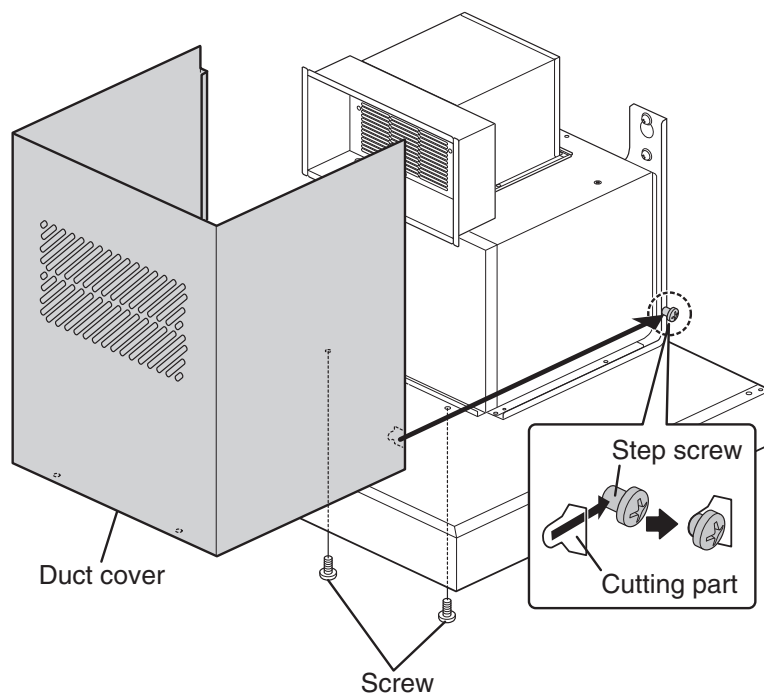
Attaching Duct Cover

1 Attach the duct cover

- 1) Set the duct cover on the cooker hood while checking that the step screws are put into the cutting parts of the duct cover.
- 2) Fix the duct cover using supplied 2 screws (M4×8) from inside of the cooker hood.

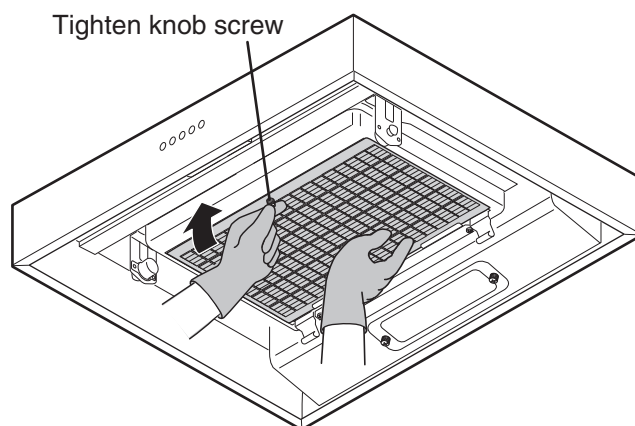
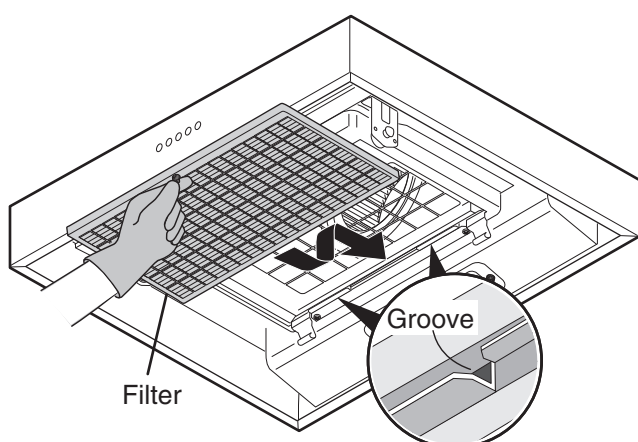
Note

- When attaching, be careful not to make any scratches or damages.
- In case the duct cover is not high enough, an optional duct cover is available to extend height of the duct cover. When attaching the optional one, please follow the instructions enclosed in it.



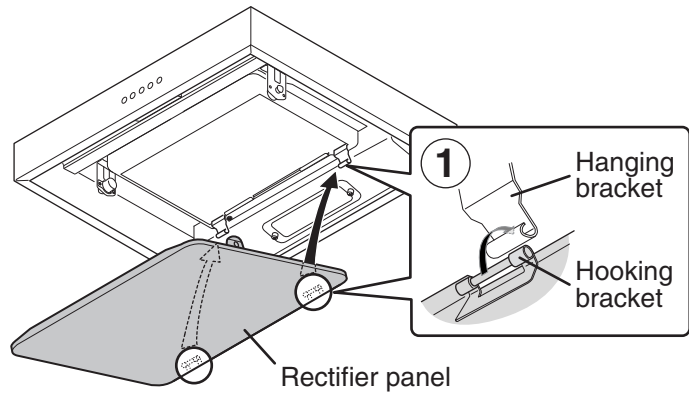
2 Attach the slot filter

While holding the knob screw, set the rear of the slot filter in the groove of the cooker hood, then lift up its front and tighten the knob screw.

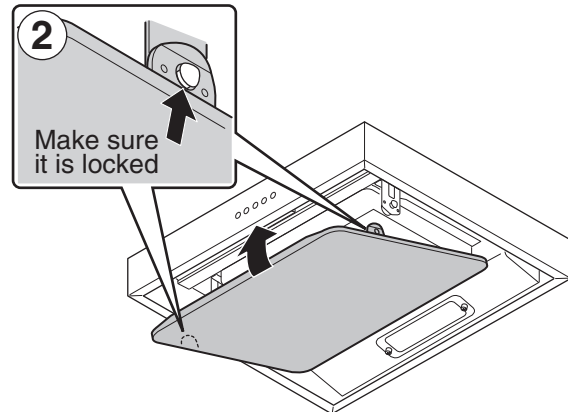


3 Attach the rectifier panel

- 1) Engage the rear left and right hooking brackets of the rectifier panel securely with the hanging brackets.



- 2) While holding the rectifier panel by both hands, lift up its front and push upward until it is locked by the left and right stoppers. After attaching, make sure not to unlock easily by shaking it up and down.



Note

Make sure that the rectifier panel is locked securely. It may be a cause of dropping if not locked firmly.

Operation Check

1 Power supply

Connect the power plug to the wall outlet (220V/230V/240V AC).

2 Operation check

- 1) While operating the cooker hood by pushing the applicable control switches, check the air flow or presence of abnormal vibration or the like.
- 2) The lamp is turned ON and OFF when the LIGHT control switch is pushed, refer to the operation manual for details.

