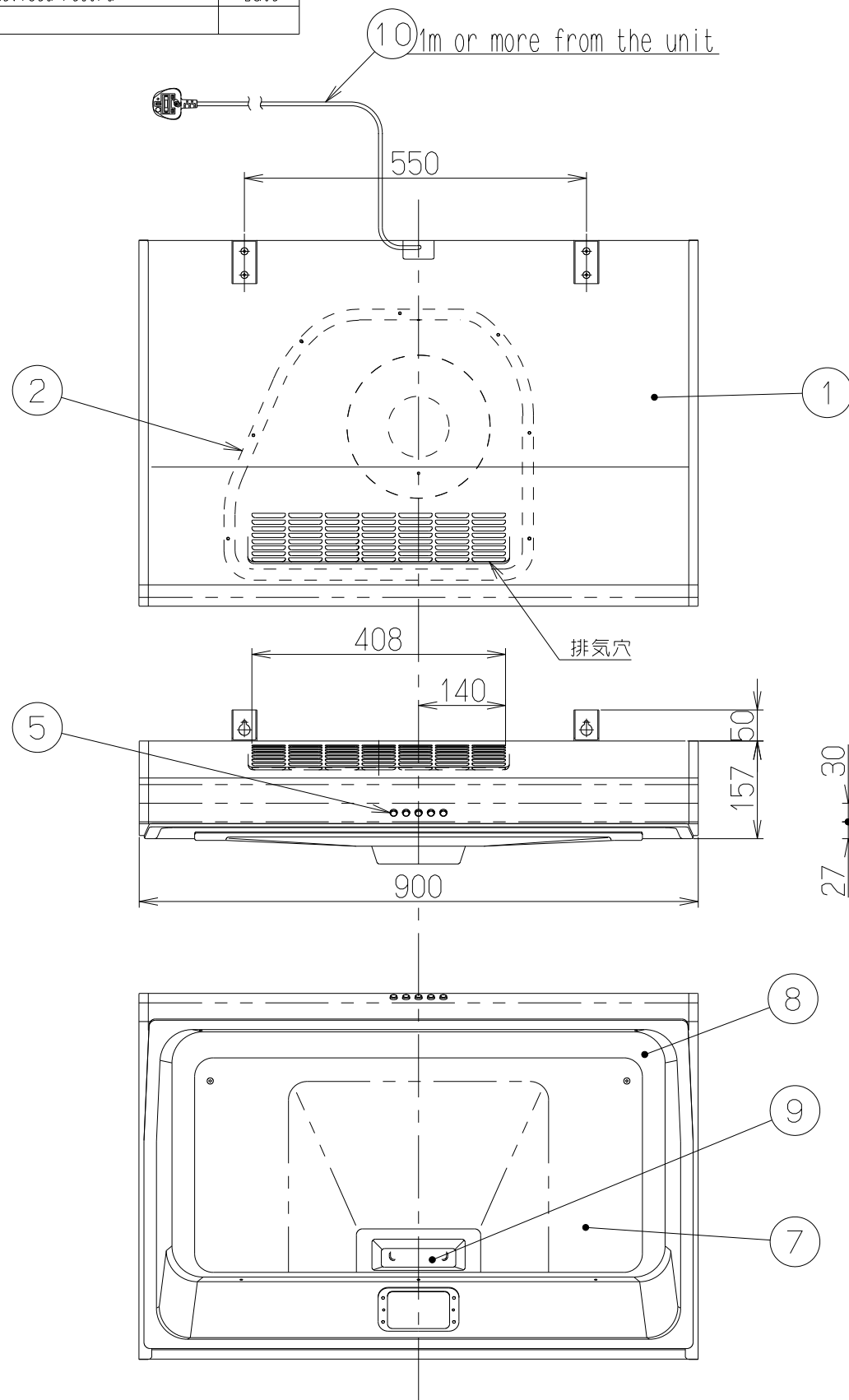
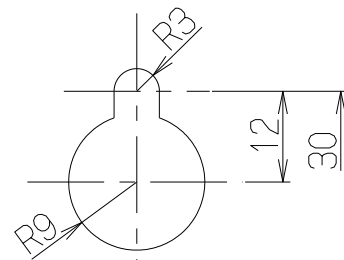


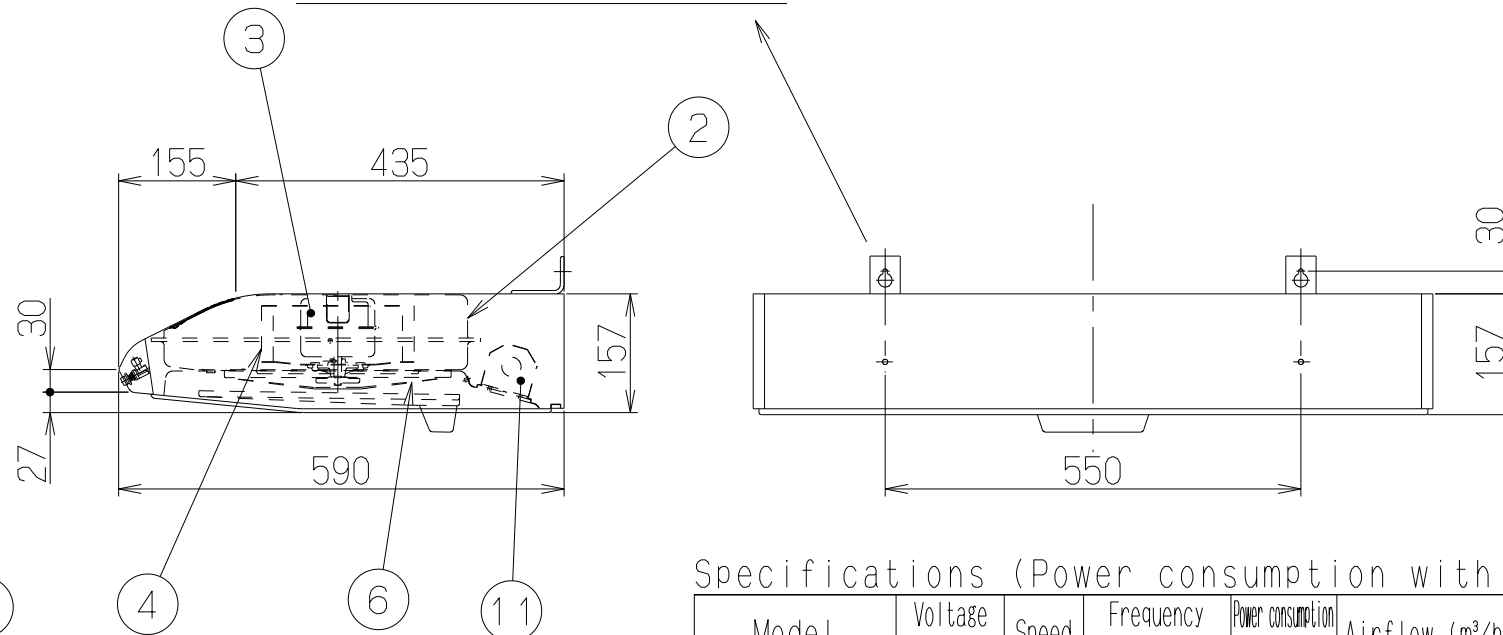
Mark	Revised record	Date
△		



Accessories
 Wood Screw (φ4.5 x 45mm), 4pcs
 Washer, 4pcs
 Hanging bracket, 2pcs
 Oil tray, 1pc



Detail: Installation hole



Major Parts				
No.	Parts	Material	Finish	Color
1	Hood	Stainless steel304	Hairline	
2	Blower unit	Galvanized steel		
3	Motor	4 pole capacitor motor, class E		
4	Fan	Galvanized steel		
5	Switch	Mechanical switch (Off, Low, Med, Hi, Light)		
6	Filter	Aluminum slotted filter		
7	Rectifier baffle panel	Galvanized steel	Polyester painting	Refer to column.
8	Oil Panel	Galvanized steel	Polyester painting	Refer to column.
9	Oil tray	Polycarbonate		*Accessories
10	Power supply cord	Cable with Plug		
11	Lighting	CFL 1pc (240V, 8W, E14)		

Specifications (Power consumption with lighting.)

Model	Voltage (V)	Speed	Frequency (Hz)	Power consumption (W)	Airflow (m³/h)	Sound (dB)	Weight (kg)
FX-900	220	Hi	50	160	440	—	59.5
		Med	50	140	370	—	54.5
		Low	50	130	260	—	46.5
	230	Hi	50	165	450	—	60.0
		Med	50	145	385	—	55.0
		Low	50	135	275	—	47.0
	240	Hi	50	175	460	—	60.5
		Med	50	155	400	—	55.5
		Low	50	140	290	—	47.5

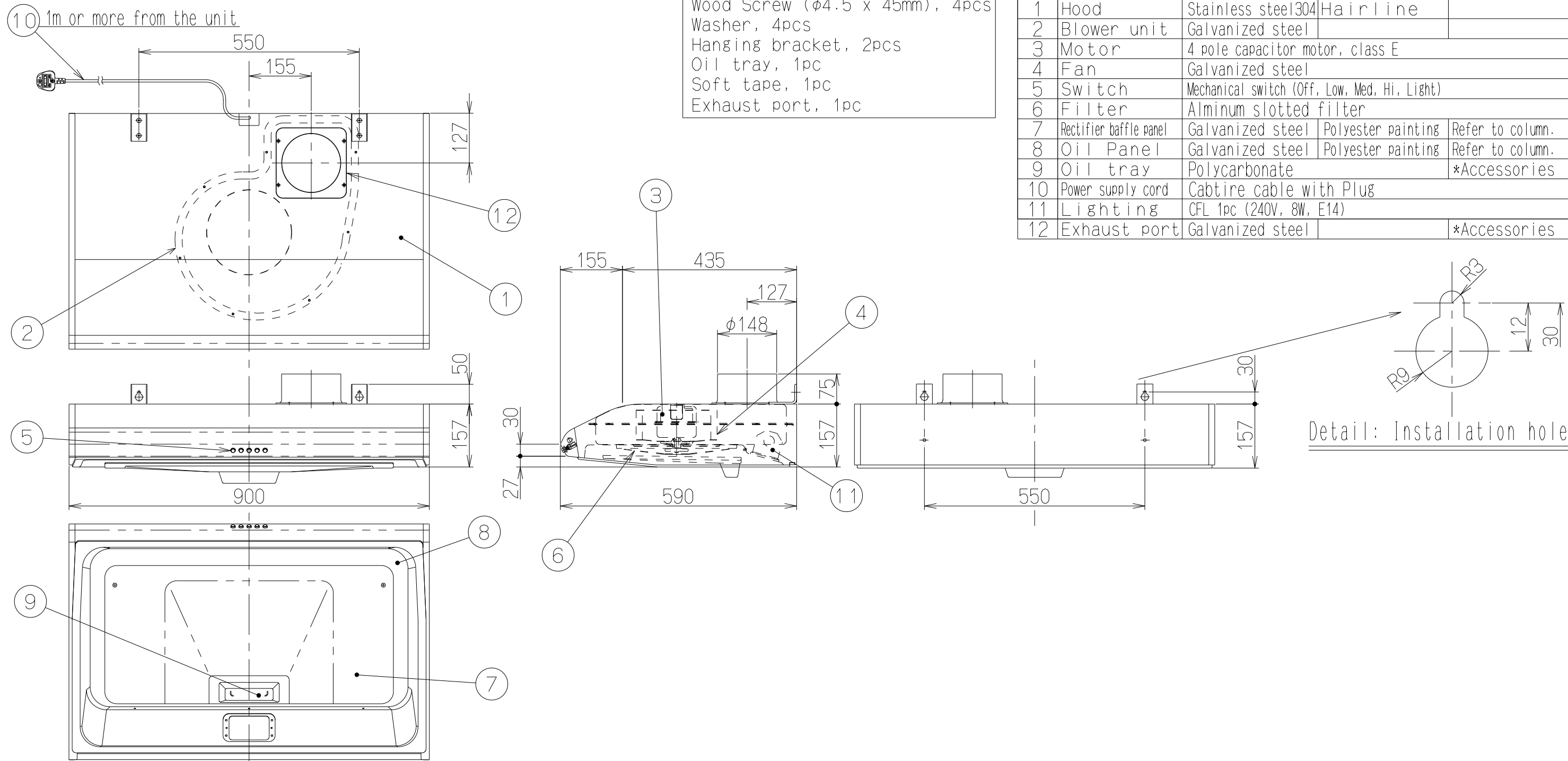
Motor class	4 Pole capacitor motor	Insulation resistance	Over 10MΩ (500V megger)	Withstanding voltage	AC1000V for 1 min	Insulation class	E
-------------	------------------------	-----------------------	-------------------------	----------------------	-------------------	------------------	---

FX-900	1C904900	Stainless steel(Oil Panel: Silver metallic)	—
Model	Product code	Color	Note
Created date	10/04/2016	Product category	Cooker Hood
Updated date	**/**/****	Model	FX-900
FUJI INDUSTRIAL CO., LTD.	Scale	1/10	Product outline drawing

Mark	Revised record	Date
△		

- Accessories
- Wood Screw (φ4.5 x 45mm), 4pcs
 - Washer, 4pcs
 - Hanging bracket, 2pcs
 - Oil tray, 1pc
 - Soft tape, 1pc
 - Exhaust port, 1pc

Major Parts				
No.	Parts	Material	Finish	Color
1	Hood	Stainless steel304	Hairline	
2	Blower unit	Galvanized steel		
3	Motor	4 pole capacitor motor, class E		
4	Fan	Galvanized steel		
5	Switch	Mechanical switch (Off, Low, Med, Hi, Light)		
6	Filter	Aluminum slotted filter		
7	Rectifier baffle panel	Galvanized steel	Polyester painting	Refer to column.
8	Oil Panel	Galvanized steel	Polyester painting	Refer to column.
9	Oil tray	Polycarbonate		*Accessories
10	Power supply cord	Cable with Plug		
11	Lighting	CFL 1pc (240V, 8W, E14)		
12	Exhaust port	Galvanized steel		*Accessories



Specifications (Power consumption with lighting.)

Model	Voltage (V)	Speed	Frequency (Hz)	Power consumption (W)	Airflow (m³/h)	Sound (dB)	Weight (kg)
FX-900V	220	Hi	50	160	530	—	57.5
		Med	50	150	420	—	51.5
		Lo	50	130	280	—	42.5
	230	Hi	50	175	540	—	58.0
		Med	50	160	430	—	52.0
		Lo	50	140	290	—	43.0
240	Hi	50	190	550	—	58.5	
	Med	50	165	440	—	52.5	
		Lo	50	150	300	—	43.5

Motor class	4 Pole capacitor motor	Insulation resistance	Over 10MΩ (500V megger)	Withstanding voltage	AC1000V for 1 min	Insulation class	E
-------------	------------------------	-----------------------	-------------------------	----------------------	-------------------	------------------	---

FX-900V	1C905000	Stainless steel(Oil Panel: Silver metallic)	
Model	Product code	Color	Note
Created date	10/05/2016	Product category	Cooker Hood
Updated date	**/**/****	Model	FX-900V
FUJI INDUSTRIAL CO., LTD.	Scale	1/10	Product outline drawing