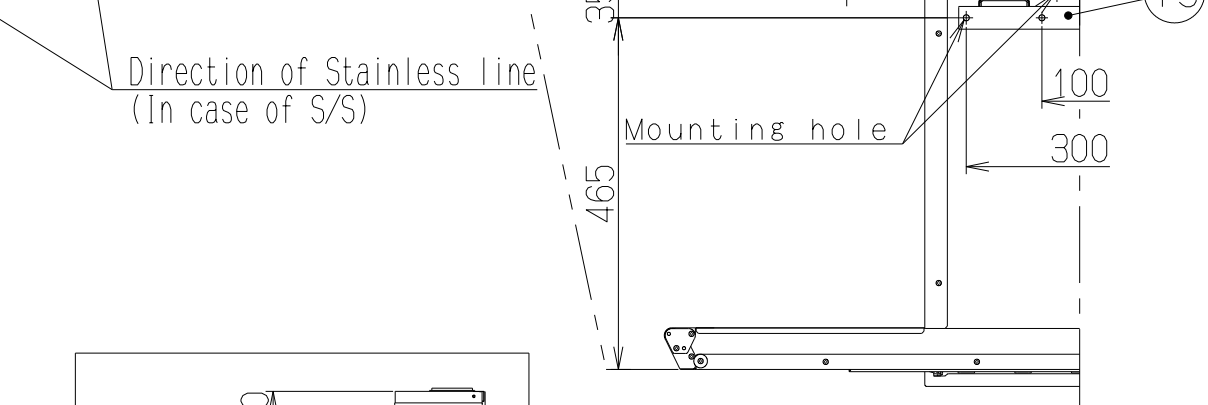


Mark	Revised record	Date
△		

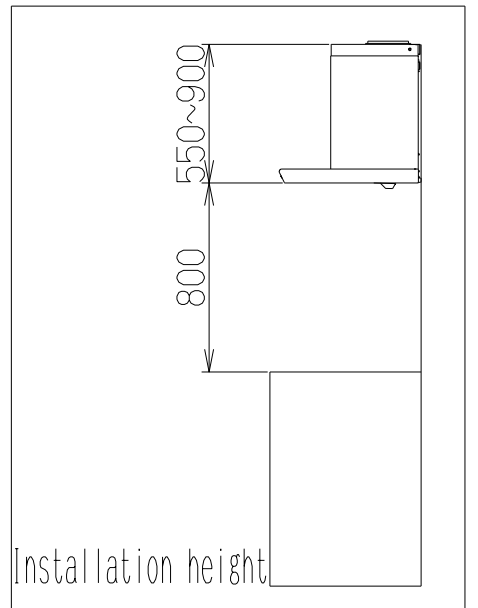
Major Parts				
No.	Parts	Material	Finish	Color
1	Hood body	Stainless steel Galvanized steel	No.4 Polyester painting	Refer to column
2	Oil panel	Stainless steel	No.4	
3	Body	Galvanized steel		
4	Rectifier baffle panel	Stainless steel	No.4	
5	Casing	Galvanized steel		
6	Motor	4 pole capacitor motor, Class B		
7	Fan	Galvanized steel		
8	Filter	Galvanized steel	Polyester painting	Black
9	Switch	Soft touch switch Off. Off-timer (3min). Low. Med. Hi. Light		
10	Oil tray	Plastic		*Accessories
11	Exhaust port	Plastic	Shutter is attached	*Accessories
12	Power supply cord	Cable with Plug		
13	Lighting	LED(1.5W)×2pcs		
14	Duct cover	Stainless steel Galvanized steel	No. 4 Polyester painting	Refer to column
15	Hanging bracket	Galvanized steel		*Accessories
16	Duct cover bracket	Galvanized steel		*Accessories



- Accessories
- Round washer head screw (φ5.1 x 45mm), 7pcs
 - Philips truss Screw (M4 x 16mm), 4pcs
 - Decorative screw(M4x8), 2pcs
 - Rubber packing, 1pc
 - +Binding Tapping Screw (φ3x8), 2pcs

Specifications (Power consumption with lighting)

Model	Voltage (V)	Speed	Frequency (Hz)	Power consumption (W)	Airflow (m³/h)		Sound (dB)	Weight (kg)
					0 Pa	—		
LNS-1100V	220	Hi	50	180	845	—	50	27
		Med		135	720	—	47	
		Low		85	500	—	39	
	230	Hi		185	860	—	51	
		Med		140	735	—	48	
		Low		90	530	—	40	
240	Hi	190	875	—	52			
	Med	145	770	—	49			
	Low	95	550	—	42			



Motor class	4 Pole capacitor motor	Insulation resistance	Over 10MΩ (500V megger)	Withstanding voltage	AC1000V for 1 min	Insulation class	B
-------------	------------------------	-----------------------	-------------------------	----------------------	-------------------	------------------	---

Measured airflow and sound by internal testing methods.

LNS-1100VTRE	—	Texture Red	—
LNS-1100VTBE	—	Texture Blue	—
LNS-1100VTB	—	Texture Brown	—
LNS-1100VTBK	—	Texture Black	—
LNS-1100VTW	—	Texture White	—
LNS-1100VS	—	Stainless steel	—
Model	Product code	Color	Note

Created date	12/1/2016	Product category	Cooker Hood
Updated date	**/**/****	Model	LNS-1100V
FUJI INDUSTRIAL CO., LTD.	Scale 1/10	Product outline drawing	