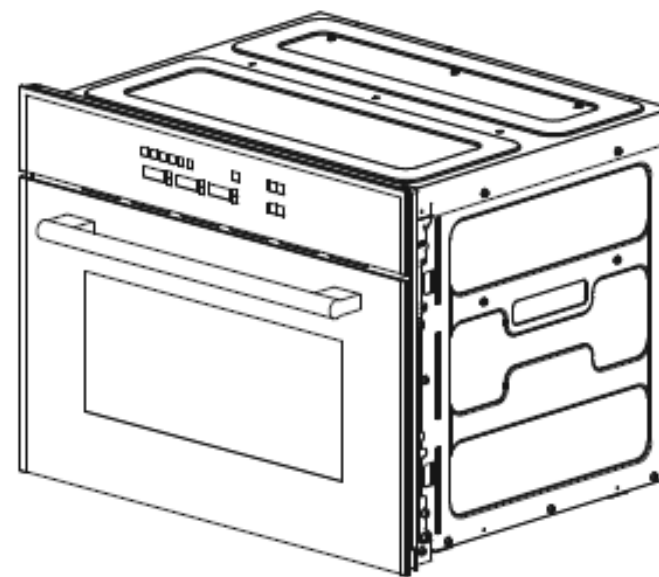
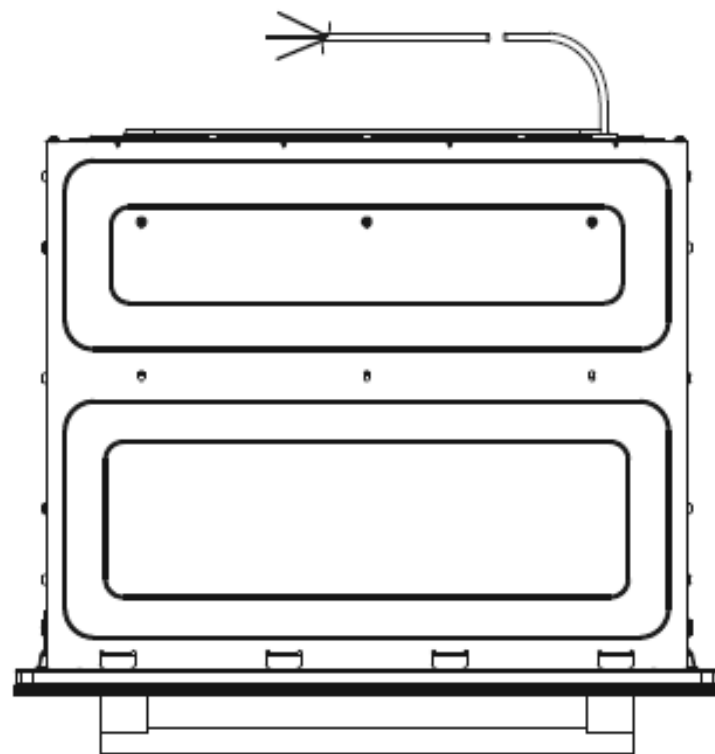
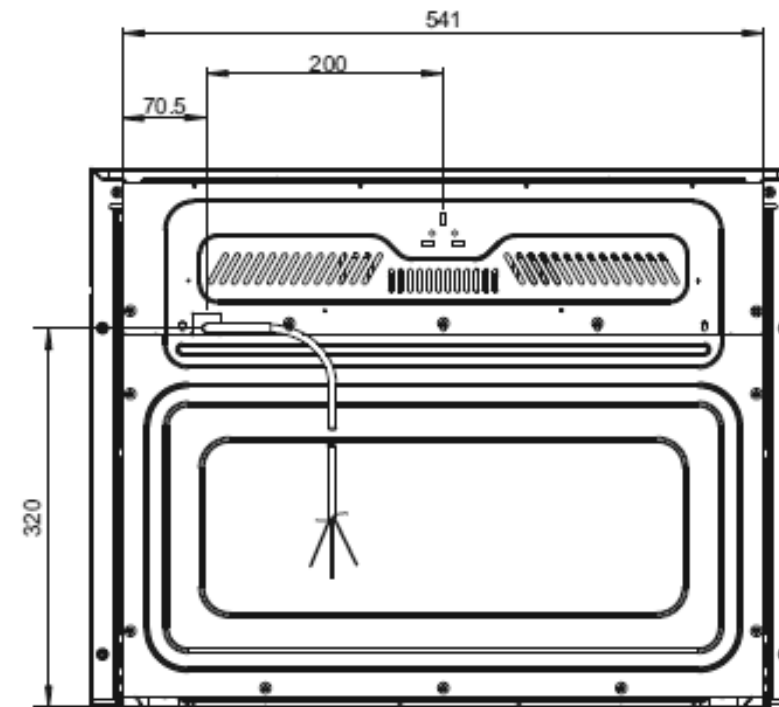
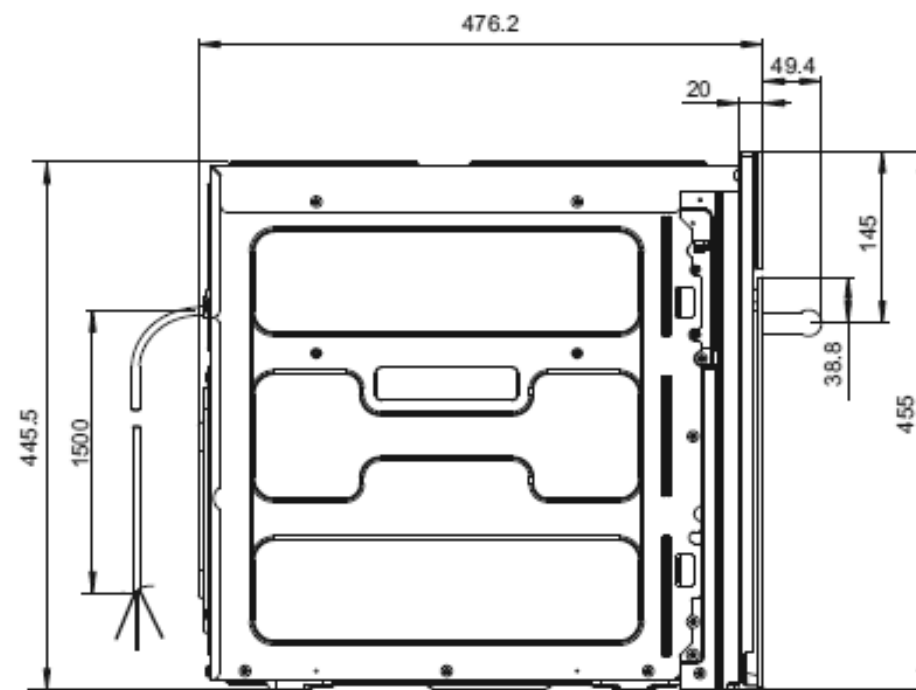
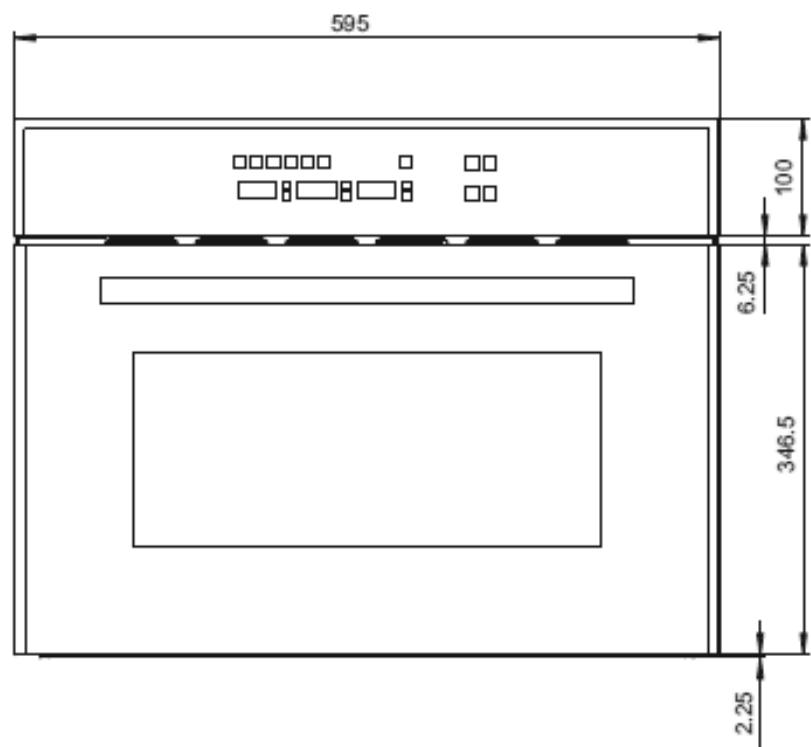


Mark	Revised record	Date
△		



FV-ST51	—	—	—
Model	Product code	Color	Note
Created date	04/03/2017	Product category	Oven
Updated date	**/**/****	Model	FV-ST51
FUJI INDUSTRIAL CO., LTD.	Scale	1/10	Product outline drawing