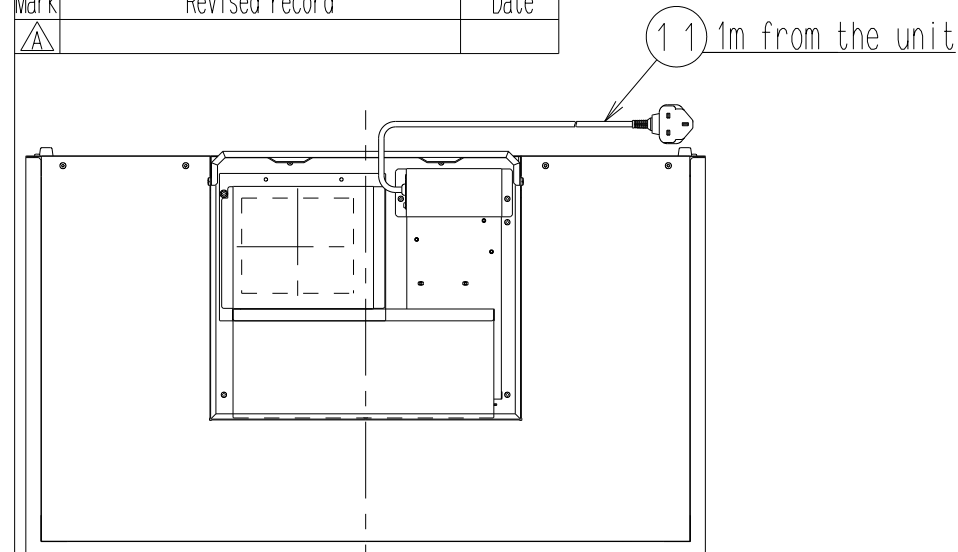
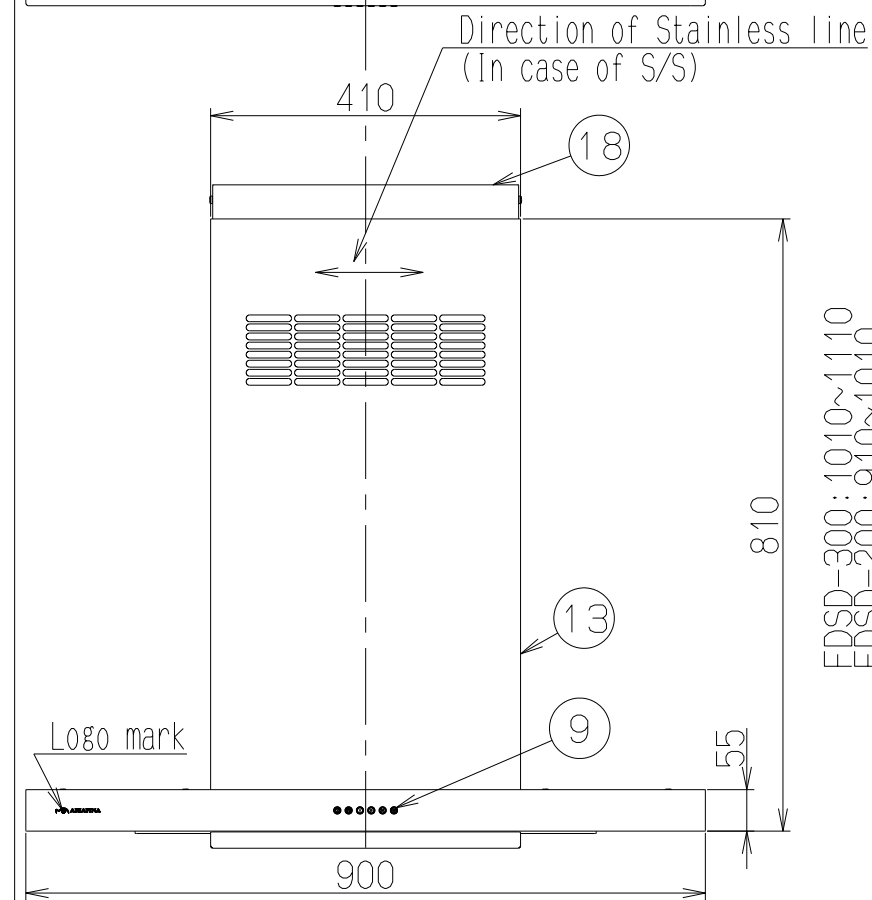
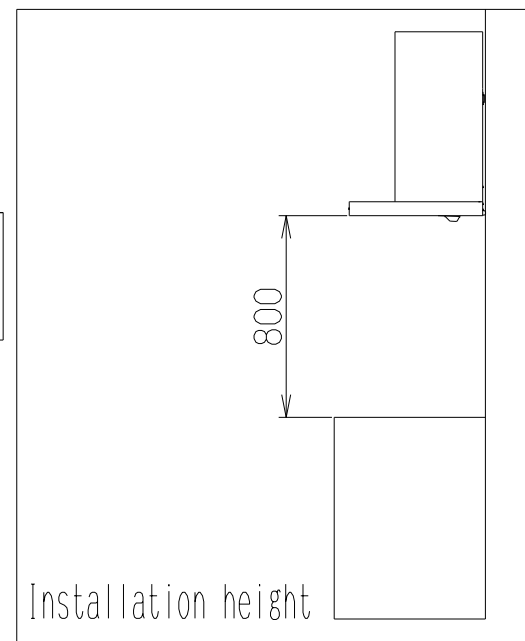


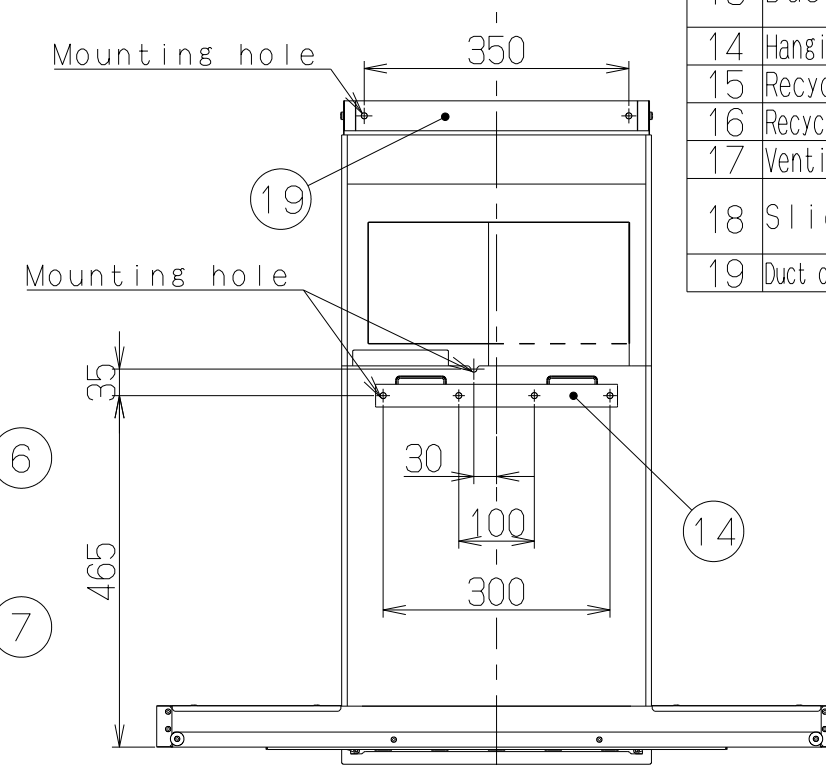
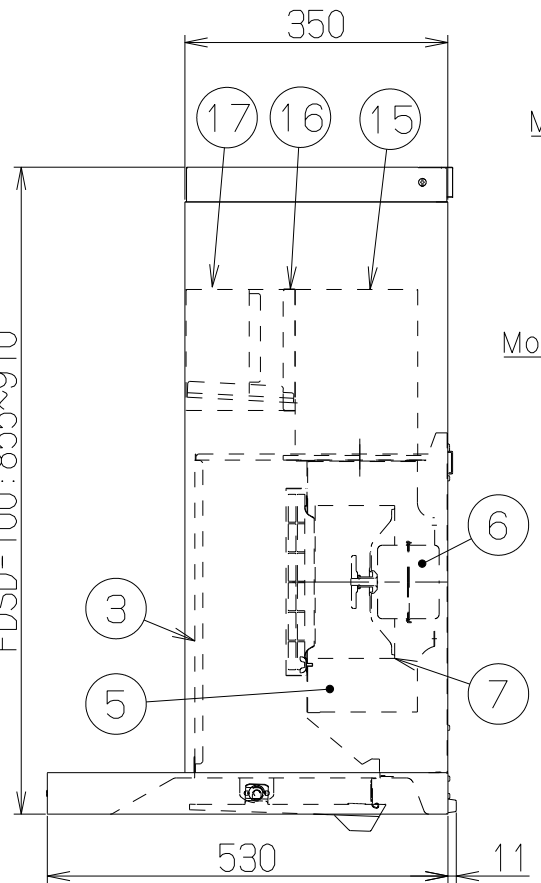
Mark	Revised record	Date
△		



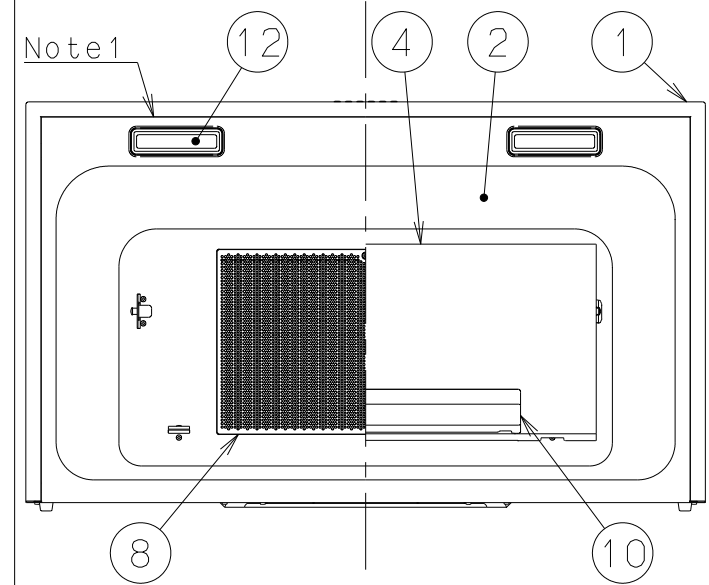
Accessories  
 Round washer head screw (φ5.1 x 45mm), 5pcs  
 +Round Screw (M4x8), 14pcs



FSD-300: 1010~1110  
 FSD-200: 910~1010  
 FSD-100: 855~910



Major Parts				
No.	Parts	Material	Finish	Color
1	Hood body	Stainless steel	No.4	
		Galvanized steel	Polyester painting	Refer to column
2	Oil panel	Stainless steel	No.4	
3	B o d y	Galvanized steel		
4	Rectifier baffle panel	Stainless steel	No.4	
5	Casing	Galvanized steel		
6	M o t o r	4 pole capacitor motor, Class B		
7	F a n	Galvanized steel		
8	F i l t e r	Galvanized steel	Polyester painting	Black
9	S w i t c h	Soft touch switch Off. Off-timer (3min). Low. Med. Hi. Light		
10	Oil tray	Plastic		*Accessories
11	Power supply cord	Cable with Plug		
12	L i g h t i n g	LED(1.5W)×2pcs		
13	Duct cover	Stainless steel	No.4	*Accessories
		Galvanized steel	Polyester painting	Refer to column *Accessories
14	Hanging bracket	Galvanized steel		*Accessories
15	Recycling unit	Galvanized steel		*Accessories
16	Recycling Flange	Galvanized steel		*Accessories
17	Ventilating Box	Galvanized steel		*Accessories
18	Slide Duct	Stainless steel	No.4	*Optional parts
		Galvanized steel	Polyester painting	Refer to column *Optional parts
19	Duct cover bracket	Galvanized steel		*Optional parts



Specifications (Power consumption with lighting)

Model	Voltage (V)	Speed	Frequency (Hz)	Power consumption (W)		Airflow (m³/h)		Sound (dB)	Weight (kg)
				0 Pa	—	0 Pa	—		
FDS-900R	220	Hi	50	137	560	—	56	28	
		Med		105	515	—	55		
		Low		75	410	—	50		
	230	Hi		147	565	—	56		
		Med		110	525	—	55		
		Low		80	430	—	50		
	240	Hi		157	570	—	57		
		Med		115	530	—	55		
		Low		85	445	—	51		

Motor class	4 Pole capacitor motor	Insulation resistance	Over 10MΩ (500V megger)	Withstanding voltage	AC1000V for 1 min	Insulation class	B
-------------	------------------------	-----------------------	-------------------------	----------------------	-------------------	------------------	---

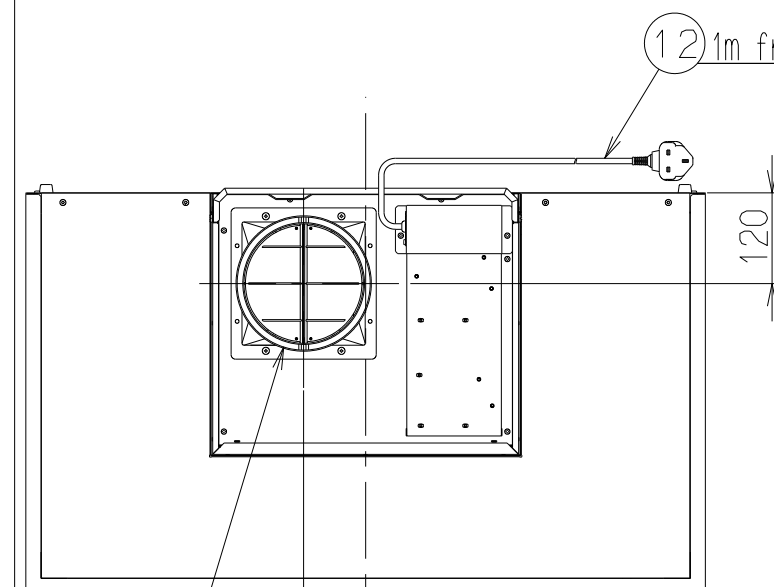
Measured airflow and sound by internal testing methods.

Note 1. FDS-900RS is seamless finish between hood and oil panel.

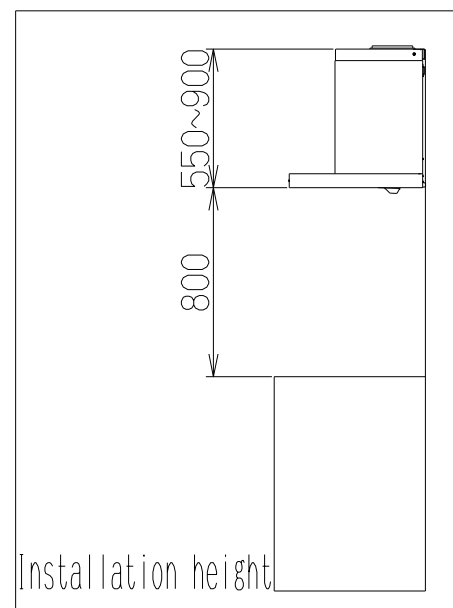
FDS-900R TRE	—	Texture Red	—
FDS-900R TBE	—	Texture Blue	—
FDS-900R TB	—	Texture Brown	—
FDS-900R TBK	—	Texture Black	—
FDS-900R TW	—	Texture White	—
FDS-900R S	—	Stainless steel	—

Model	Product code	Color	Note
Created date	12/1/2016	Product category	Cooker Hood
Updated date	**/**/****	Model	FDS-900R
FUJI INDUSTRIAL CO., LTD.	Scale 1/10	Product outline drawing	

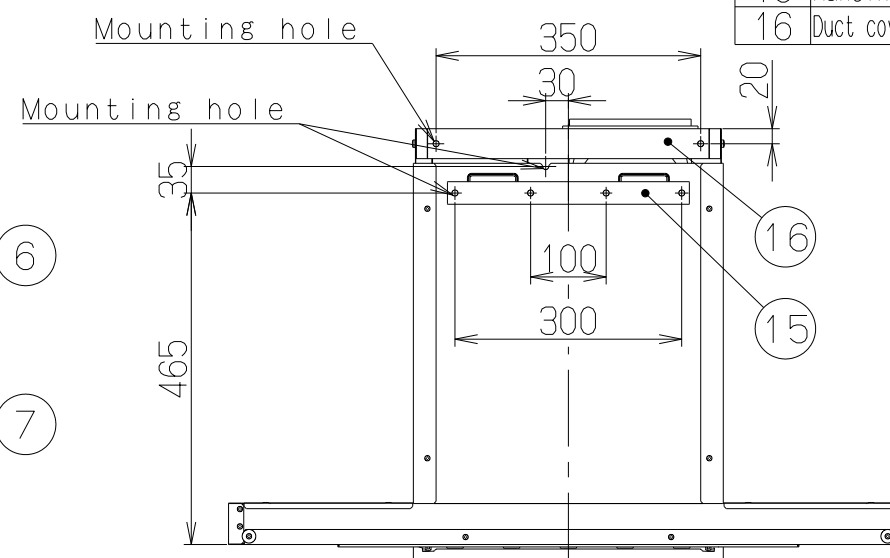
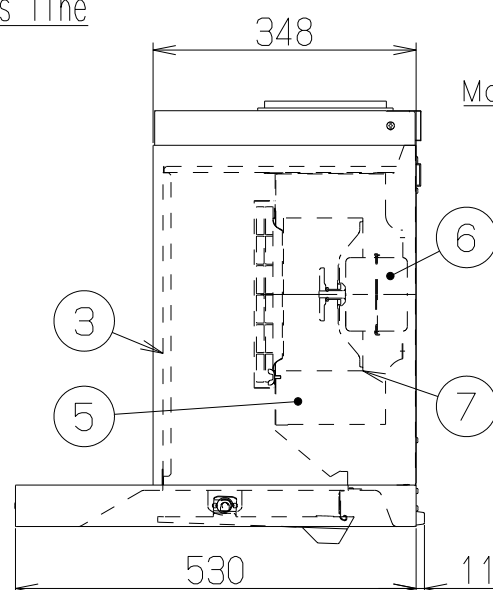
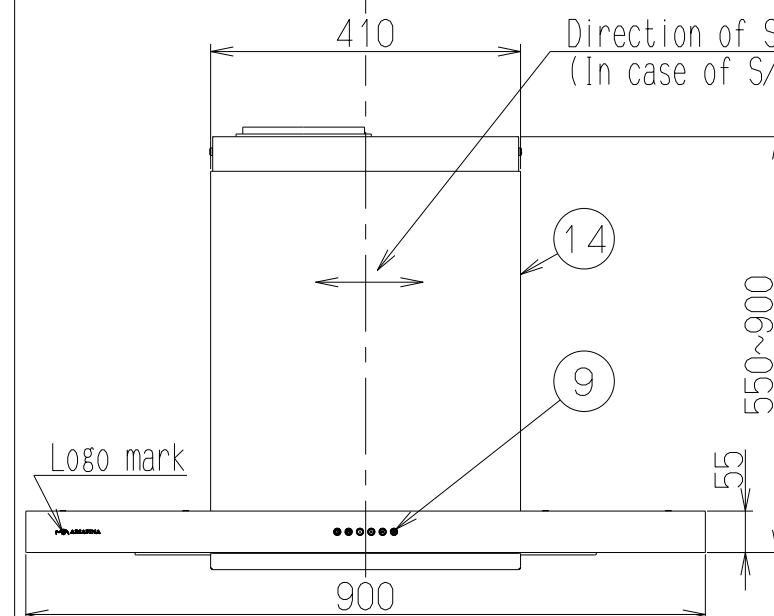
Mark	Revised record	Date
△		



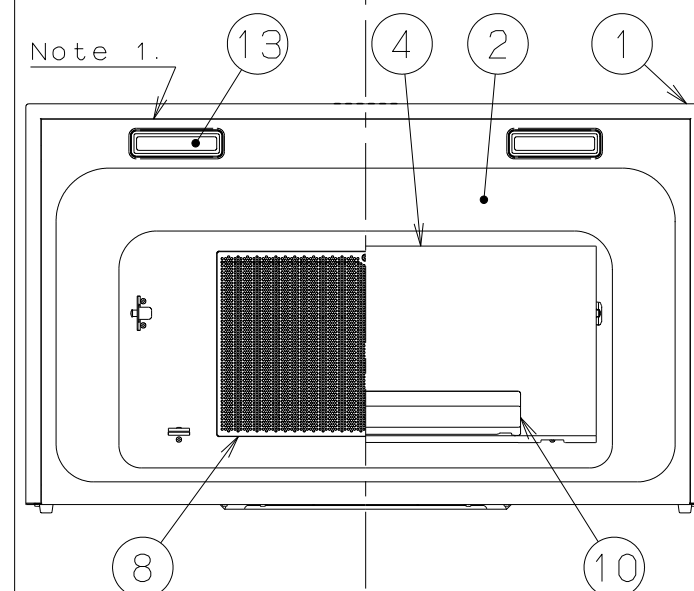
Accessories  
 Round washer head screw (φ5.1 x 45mm), 4pcs  
 + Truss Screw (M4 x 16mm), 4pcs  
 Decorative screw (M4x8), 2pcs  
 Rubber packing, 1pc  
 +Binding Tapping Screw (φ3x8), 2pcs



Major Parts				
No.	Parts	Material	Finish	Color
1	Hood body	Stainless steel	No. 4	
		Galvanized steel	Polyester painting	Refer to column
2	Oil panel	Stainless steel	No. 4	
3	B o d y	Galvanized steel		
4	Rectifier baffle panel	Stainless steel	No. 4	
5	Casing	Galvanized steel		
6	M o t o r	4 pole capacitor motor, Class B		
7	F a n	Galvanized steel	Fancy Clean coating, Black(Sirocco Fan)	
8	F i l t e r	Galvanized steel	Fluorine painting	Black
9	S w i t c h	Soft touch switch Off. Off-timer (3min). Low. Med. Hi. Light		
10	Oil tray	Plastic		*Accessories
11	Exhaust port	Plastic	Shutter is attached	*Accessories
12	Power supply cord	Cable with Plug		
13	L i g h t i n g	LED(1.5W)×2pcs		
14	Duct cover	Stainless steel	No. 4	
		Galvanized steel	Polyester painting	Refer to column
15	Hanging bracket	Galvanized steel		*Accessories
16	Duct cover bracket	Galvanized steel		*Accessories



Note 1. FDS-900VS is seamless finish between hood and oil panel.



Specifications (Power consumption with lighting)

Model	Voltage (V)	Speed	Frequency (Hz)	Power consumption (W)		Airflow (m³/h)		Sound (dB)	Weight (kg)
				0 Pa		0 Pa			
FDS-900V	220	Hi	50	180	845	—	50	26	
		Med		135	720	—	47		
		Low		85	500	—	39		
	230	Hi		185	860	—	51		
		Med		140	735	—	48		
		Low		90	530	—	40		
	240	Hi		190	875	—	52		
		Med		145	770	—	49		
		Low		95	550	—	42		

Motor class	4 Pole capacitor motor	Insulation resistance	Over 10MΩ (500V megger)	Withstanding voltage	AC1000V for 1 min	Insulation class	B
-------------	------------------------	-----------------------	-------------------------	----------------------	-------------------	------------------	---

Measured airflow and sound by internal testing methods.

FDS-900V TRE	—	Texture Red	—
FDS-900V TBE	—	Texture Blue	—
FDS-900V TB	—	Texture Brown	—
FDS-900V TBK	—	Texture Black	—
FDS-900V TW	—	Texture White	—
FDS-900V S	—	Stainless steel	—

Model	Product code	Color	Note
Created date	12/1/2016	Product category	Cooker Hood
Updated date	**/**/****	Model	FDS-900V
FUJI INDUSTRIAL CO., LTD.	Scale 1/10	Product outline drawing	