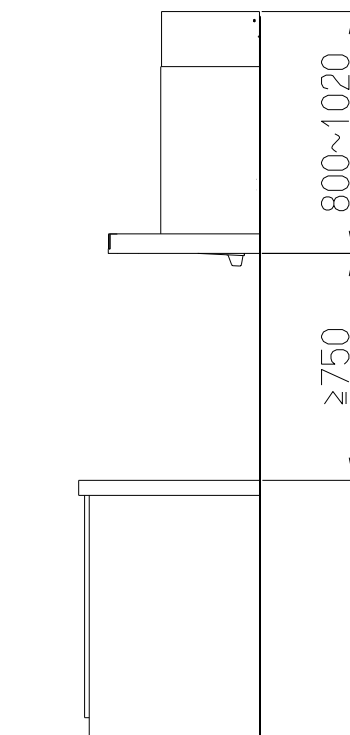
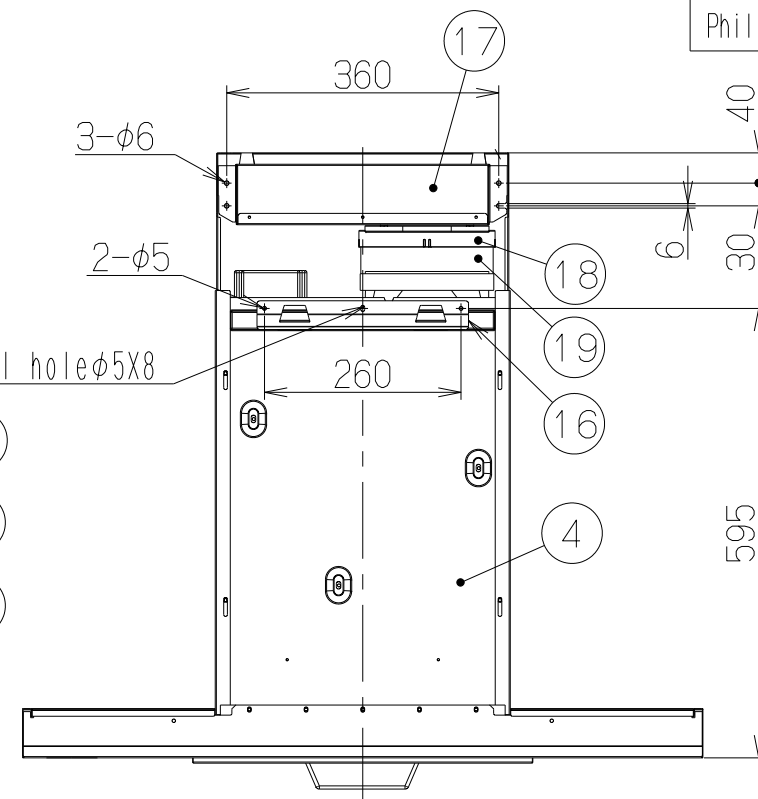
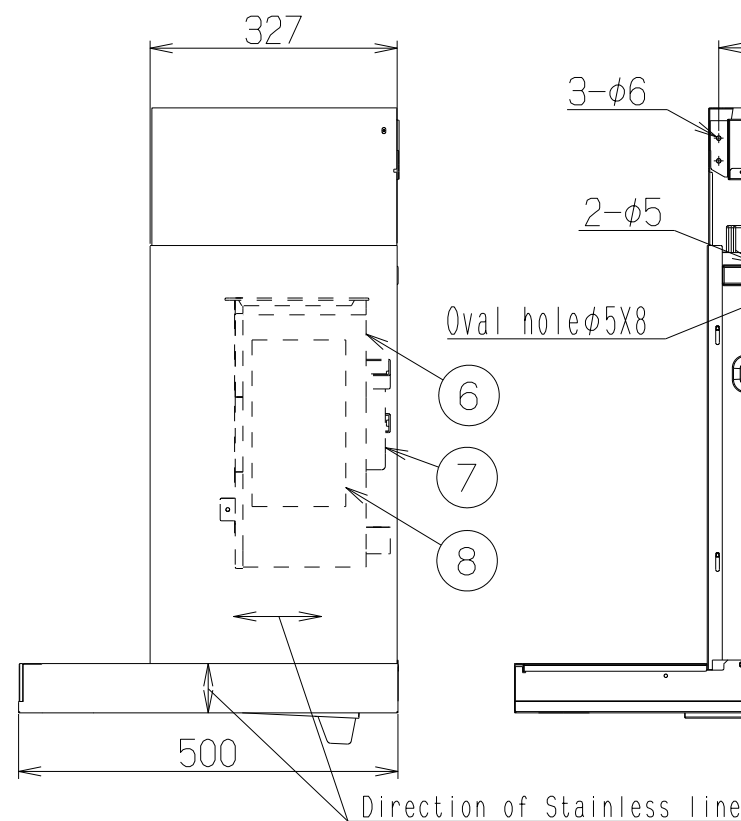
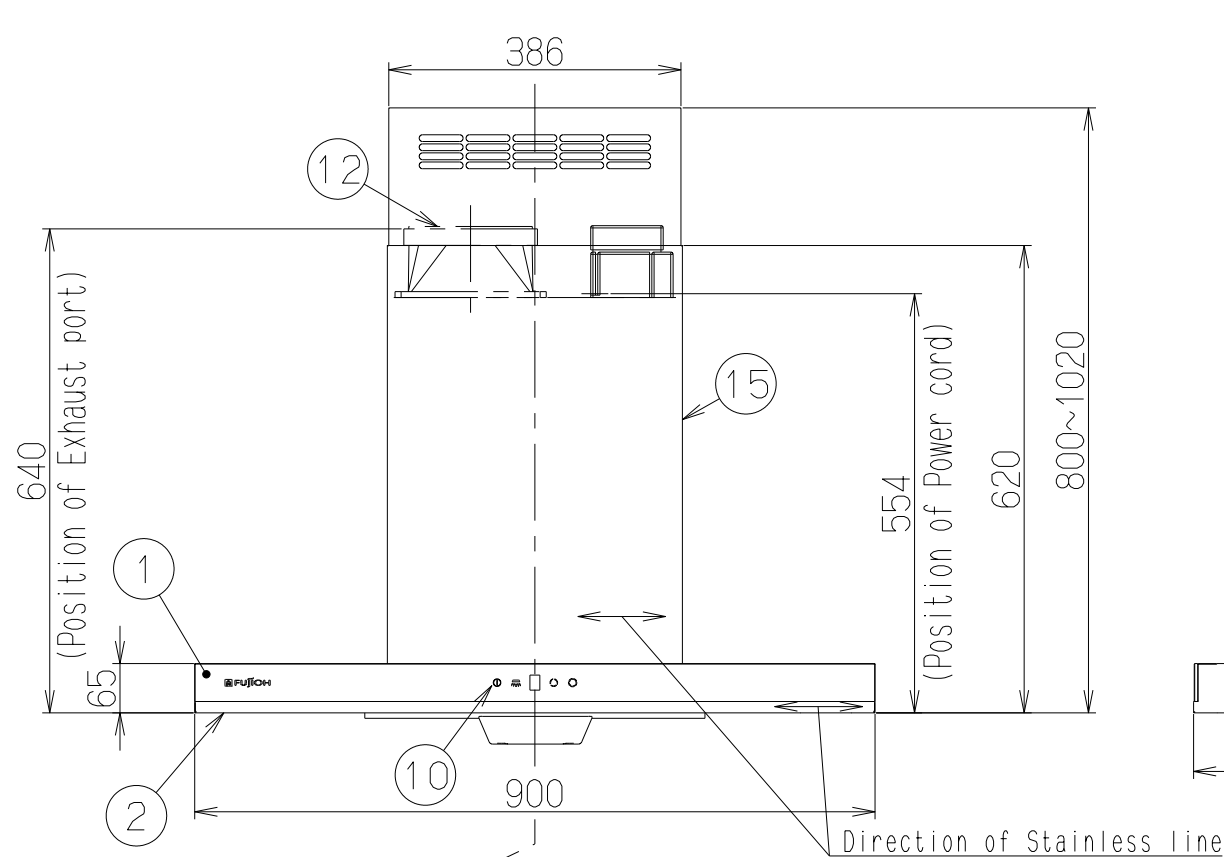
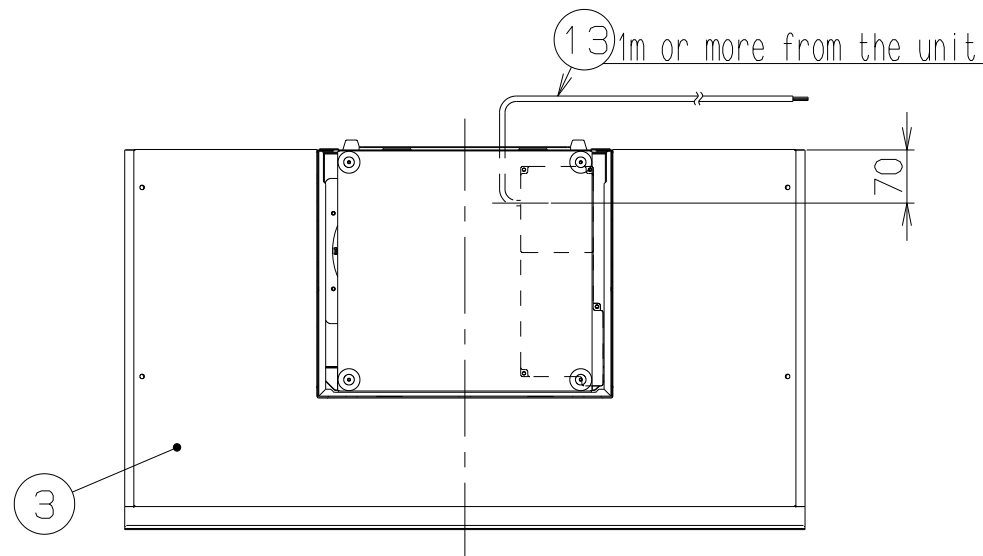


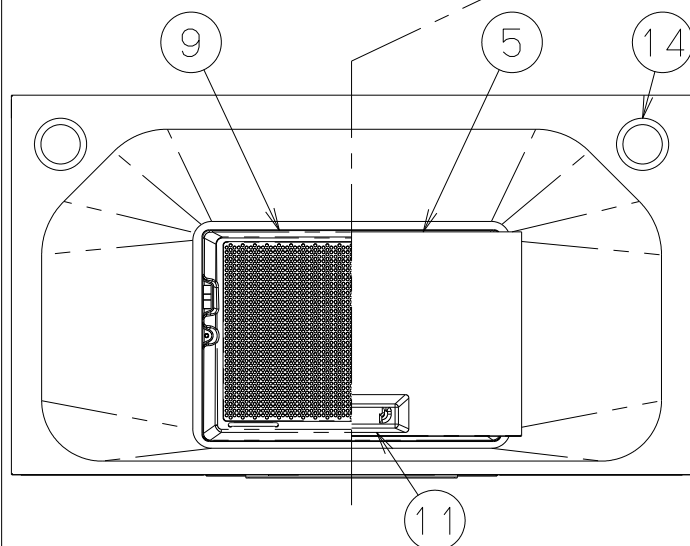
Mark	Revised record	Date
△		

Major Parts					Major Parts				
No.	Parts	Material	Finish	Color	No.	Parts	Material	Finish	Color
1	Front panel	Glass			11	Oil tray	Plastic		*Accessories
2	Hood body	Stainless steel	No. 4		12	Exhaust port	Plastic	Shutter is attached	
3	Hood top plate	Stainless steel	No. 4		13	Power supply cord	Cable		
4	B o d y	Galvanized steel	Painting		14	Lighting	LED(1W)×2pcs		
5	Rectifier baffle panel	Stainless steel	No. 4		15	Duct cover	Stainless steel	No. 4	
6	Casing	Galvanized steel	Painting	Black	16	Hanging bracket	Galvanized steel	Painting	Black *Accessories
7	M o t o r	4 pole capacitor motor, class B			17	Recycling unit	Galvanized steel	Painting	Black *Accessories
8	F a n	Galvanized steel		Black	18	Adopter	Plastic		*Accessories
9	F i l t e r	Stainless steel	No. 4		19	Flexibile Duct	Plastic		*Accessories
10	S w i t c h	Static electrical switch On/Off. Light. Low. Hi (Timer: 1-9 min)							

Accessories  
 Round washer head Screw (φ5 x 45mm), 4pcs  
 Round washer head Screw (φ5.1 x 25mm), 4pcs  
 Washer, 1pc  
 Philips truss tapping Screw (φ4 x 10mm), 2pcs  
 Philips truss tapping Screw (φ3.2 x 8mm), 2pcs



Standard Installation



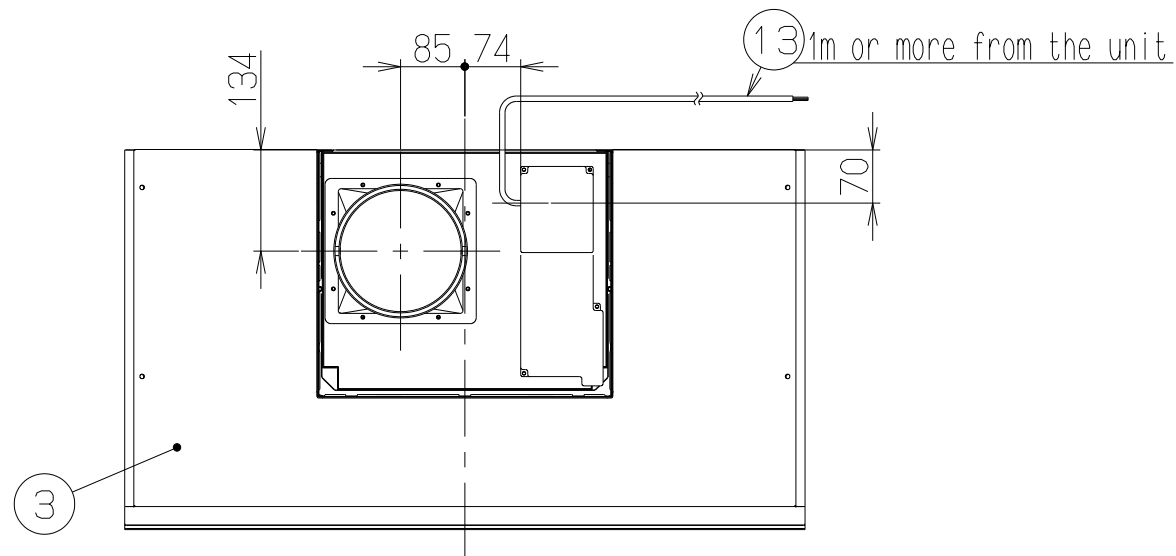
Specifications (Power consumption with lighting.)

Model	Voltage (V)	Speed	Frequency (Hz)	Power consumption (W)	Airflow (m³/h)		Sound (dB)	Weight (kg)
					0 Pa			
FJS-900R	220	Hi	50	169	500		57	27
		Lo		120	385		51	
	230	Hi		179	505		57	
		Lo		128	400		52	
	240	Hi		187	510		57	
		Lo		136	415		53	

Measured airflow and sound by internal testing methods.

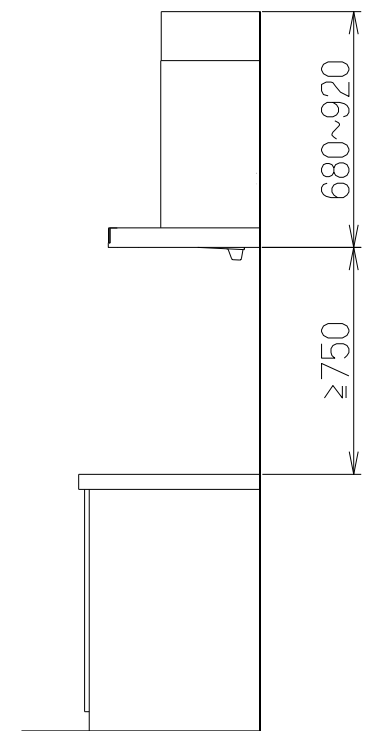
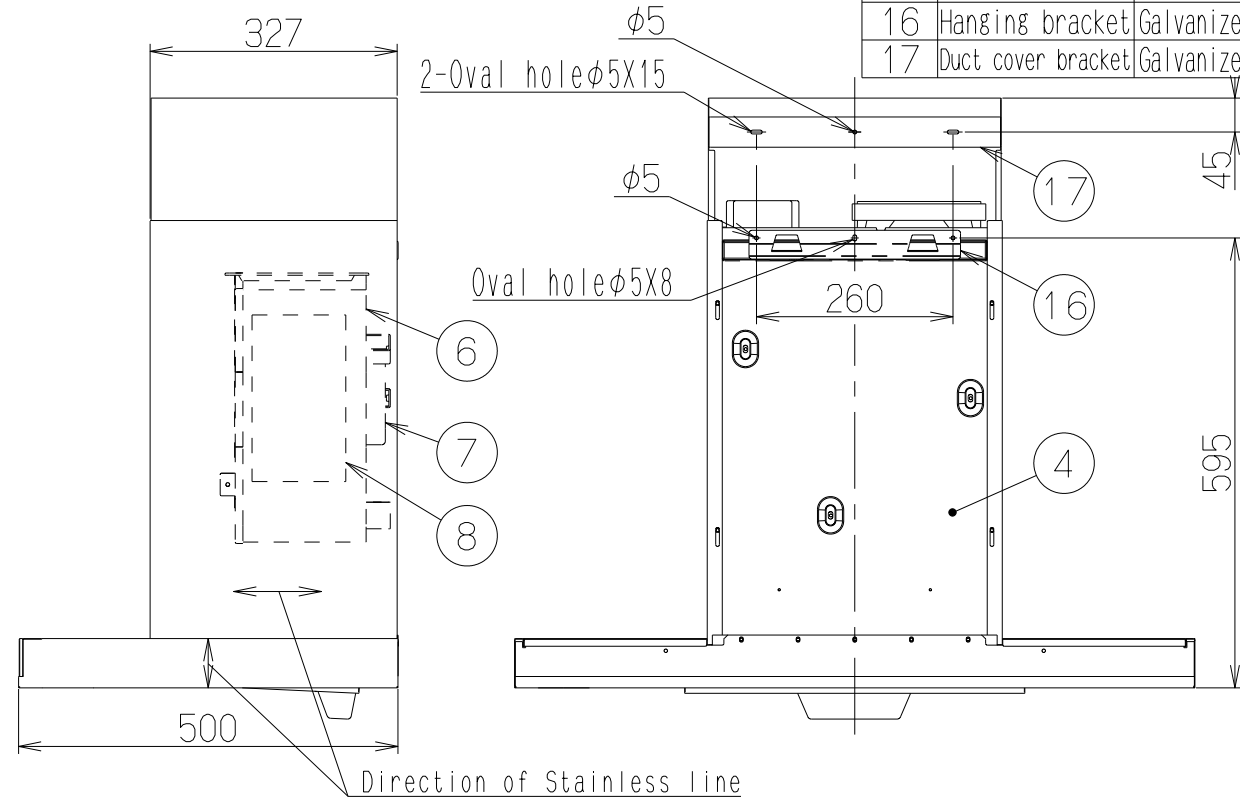
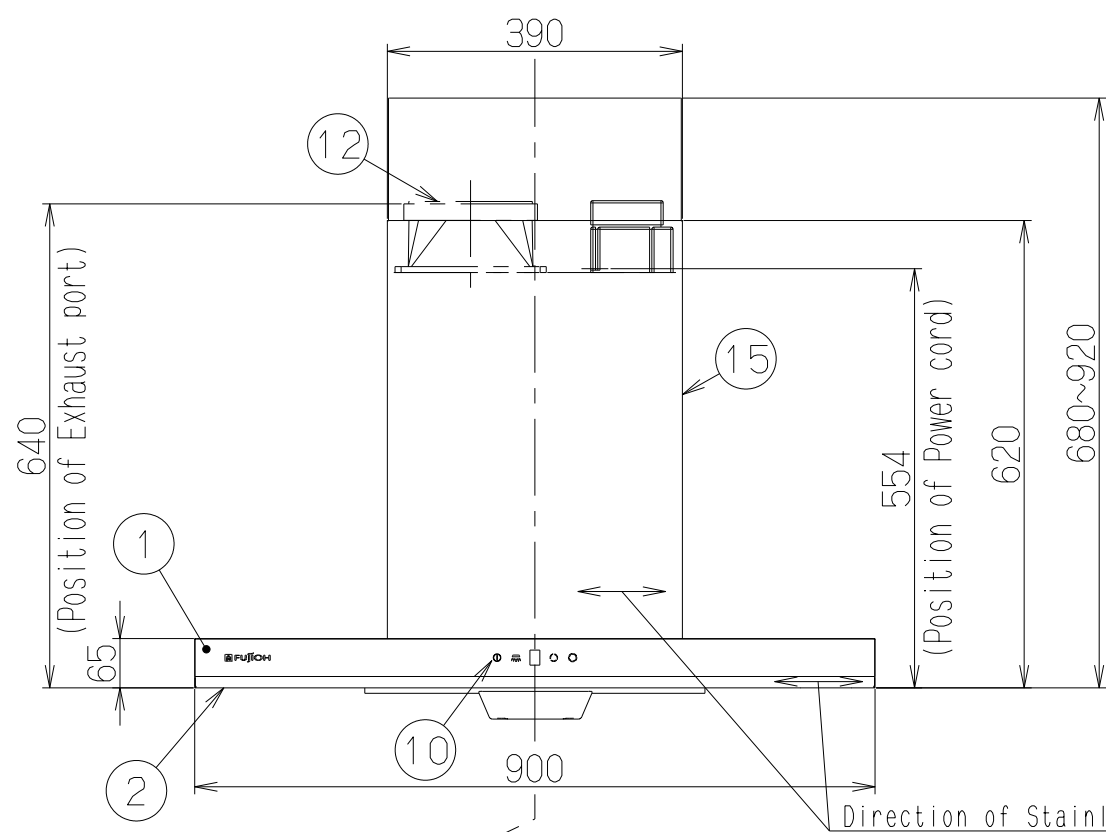
FJS-900R GCM	—	Glass Color: Champagne metallic	—
FJS-900R GBK	—	Glass Color: Black	—
Model	Product code	Color	Note
Created date	10/05/2016	Product category	Cooker Hood
Updated date	**/**/****	Model	FJS-900R
FUJI INDUSTRIAL CO., LTD.	Scale 1/10	Product outline drawing	

Mark	Revised record	Date
△		

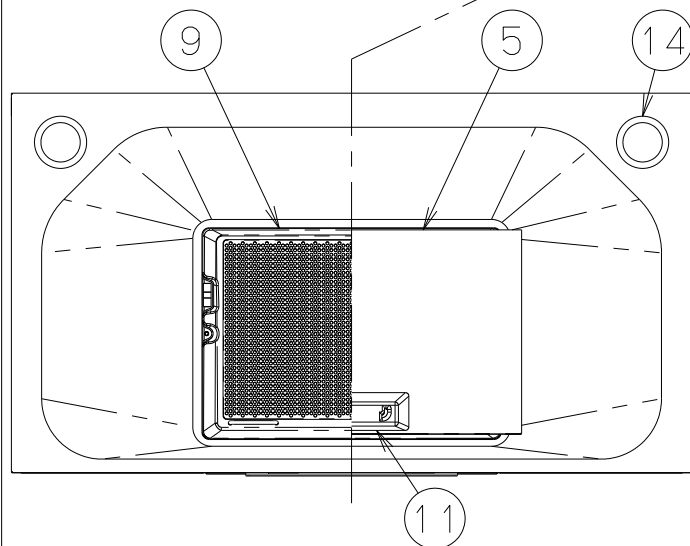


- Accessories
- Round washer head Screw (φ5 x 45mm), 7pcs
  - Washer, 1pc
  - Philips truss tapping Screw (φ4 x 10mm), 2pcs
  - Philips truss tapping Screw (φ3.2 x 8mm), 2pcs

Major Parts				
No.	Parts	Material	Finish	Color
1	Front panel	Glass		
2	Hood body	Stainless steel	No. 4	
3	Hood top plate	Stainless steel	No. 4	
4	B o d y	Galvanized steel	Painting	
5	Rectifier baffle panel	Stainless steel	No. 4	
6	Casing	Galvanized steel	Painting	Black
7	Motor	4 pole capacitor motor, class E		
8	F a n	Galvanized steel		Black
9	F i l t e r	Stainless Steel	No. 4	
10	Switch	Static electrical switch On/Off. Light. Low. Hi (Timer: 1-9 min)		
11	Oil tray	Plastic		*Accessories
12	Exhaust port	Plastic	Shutter is attached	
13	Power supply cord	Cable cable		
14	Lighting	LED(1W)× 2pcs		
15	Duct cover	Stainless Steel	No. 4	
16	Hanging bracket	Galvanized steel	Painting	Black *Accessories
17	Duct cover bracket	Galvanized steel	Painting	Black *Accessories



Standard Installation



Specifications (Power consumption with lighting.)

Model	Voltage (V)	Speed	Frequency (Hz)	Power consumption (W)	Airflow (m³/h)		Sound (dB)	Weight (kg)
					0 Pa			
FJS-900V	220	Hi	50	200	900		53	26
		Lo		118	610		44	
	230	Hi		212	920		54	
		Lo		128	630		45	
	240	Hi		224	940		55	
		Lo		138	650		46	

Motor class	4 Pole capacitor motor	Insulation resistance	Over 10MΩ (500V megger)	Withstanding voltage	AC1000V for 1 min	Insulation class	B
-------------	------------------------	-----------------------	-------------------------	----------------------	-------------------	------------------	---

Measured airflow and sound by internal testing methods.

FJS-900V GCM		Glass Color: Champagne metallic	
FJS-900V GBK		Glass Color: Black	
Model	Product code	Color	Note
Created date	10/05/2016	Product category	Cooker Hood
Updated date	**/**/****	Model	FJS-900V
FUJI INDUSTRIAL CO., LTD.	Scale 1/10	Product outline drawing	