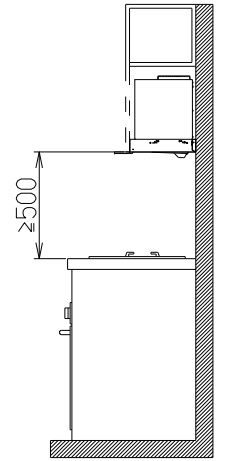
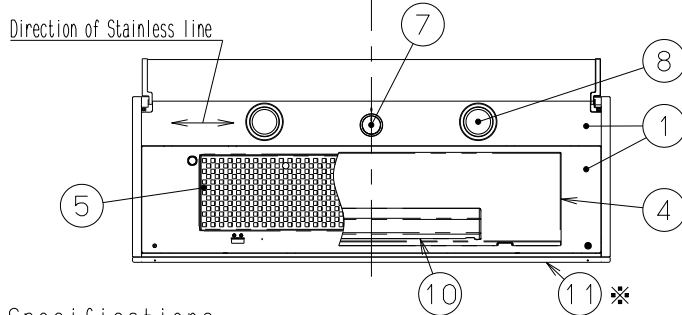
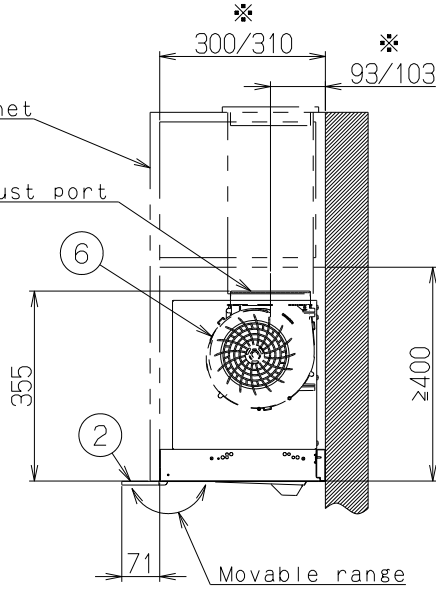
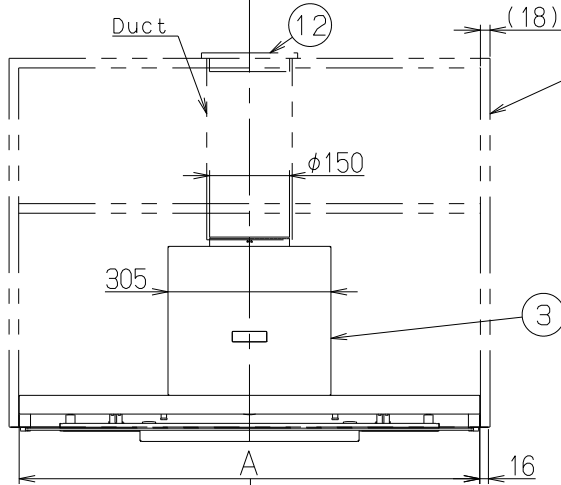
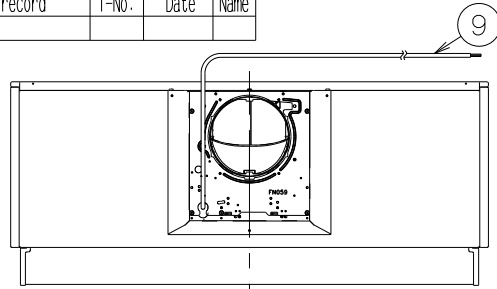


Mark	Revised record	T-No.	Date	Name
△				

Accessories	
Round washer head Screw (φ4.5 x 16mm)	— 6pcs
Screw (φ3 x 8mm)	— 8pcs
Exhaust port shutter	— 2pcs

Major Parts				
No.	Parts	Material	Finish	Color
1	Hood body	Stainless steel		
2	Shade	Glass		
3	Body	Stainless steel		
4	Rectifier baffle panel	Stainless steel		
5	Filter	Stainless steel (2 layers)		
6	Blower unit	Capacitor motor, Class F, Plastic fan		
7	Switch	Mechanical rotary switch (Off, Speed1, Speed2, Speed3, Light, Speed1+Light, Speed2+Light, Speed+Light)		
8	Lighting	LED 2pcs (2.5W)		
9	Power supply cord	Captire cable (without a plug)		*Accessories
10	Oil tray	Polycarbonate		*Accessories
11	Spacer	Stainless steel		*Accessories
12	Exhaust Outlet	Polypropylene		*Accessories (for recycling)



Standard Installation

Specifications

Model	Voltage (V)	Speed	Frequency (Hz)	Power Consumption (W)	Airflow (m ³ /h)	Sound (dB)	Weight (kg)
GS-600 S	220	Hi	50	185	535	54	12.0
		Med		145	300	41	
		Low		125	210	31	
GS-900 S	230	Hi	50	200	570	55	14.0
		Med		160	325	43	
		Low		135	220	33	
	240	Hi	50	205	600	56	
		Med		165	340	44	
		Med		145	235	34	

* with 5 Watt for lamps

Cabinet setting (stands for parts of '*')

Cabinet depth	Spacer	Exhaust port position
300	non-use	93
310	use	103

862	GS-900 S	—	Stainless steel	—
562	GS-600 S	—	Stainless steel	—
A	Model	Product code	Color	Category No.
	Created Date	2016/11/10		Model: GS-600/900 S
	Updated Date	****/**/**		
FUJI INDUSTRIAL CO., LTD.		Scale	1/10	Product outline drawing