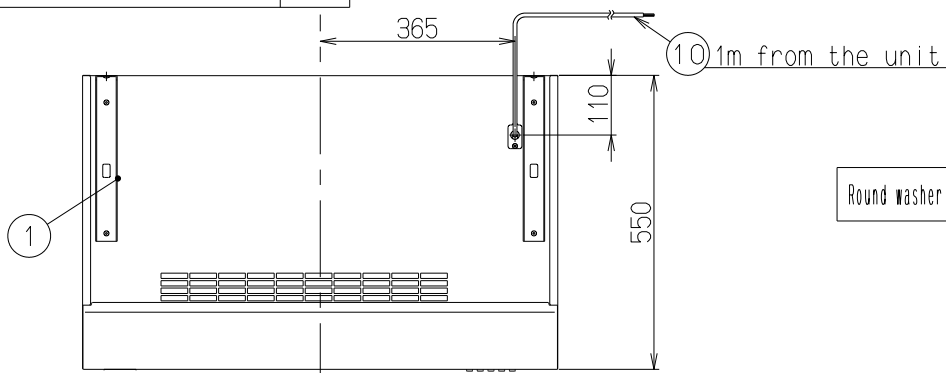
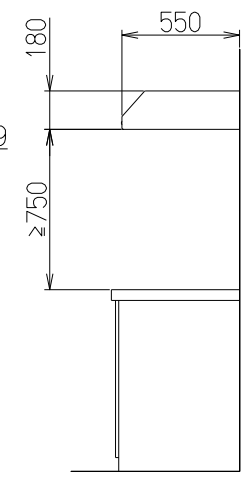
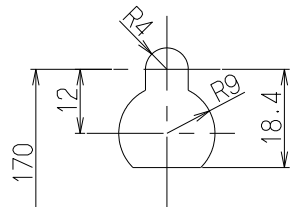
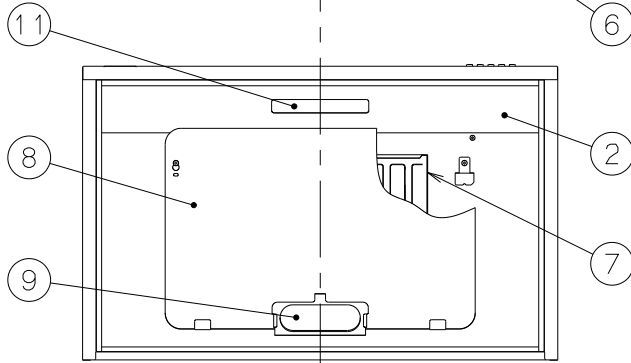
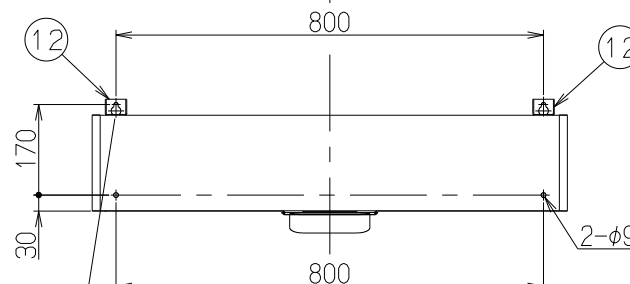
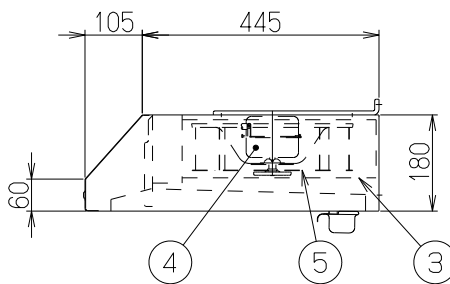
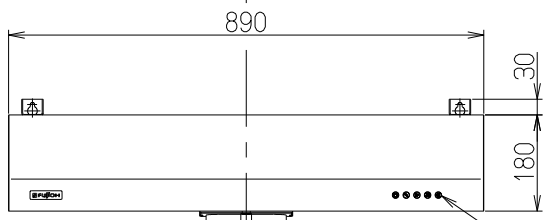


Mark	Revised record	Date
△		



Accessories
Round washer head Screw (φ5.1 x 45mm) — 4pcs



Major Parts

No.	Parts	Material	Finish	Color
1	Hood	Galvanized steel	Painting	Refer to column.
2	Oil panel	Galvanized steel	Painting	Refer to column.
3	Blower unit	Galvanized steel	Part painting:Black	
4	Motor	4 pole capacitor motor, Class E		
5	Fan	Galvanized steel (Turbo fan)		
6	Switch	Mechanical switch (Off , Lo , Med , Hi , Light)		
7	Filter	Galvanized steel (Aqua Slit Filter, 1 layer)		
8	Rectifier baffle panel	Galvanized steel	Painting	Refer to column.
9	Oil tray	Galvanized steel	Fancy-and-clean finish	*Accessories Black
10	Power supply cord	Cable cable (without a plug)		
11	Lighting	LED (Daylight white color), 3.5 Wx1 pc		
12	Hanging bracket	Galvanized steel		*Accessories

Specifications

Model	Voltage (V)	Speed	Frequency (Hz)	Power Consumption (W)	Airflow (m ³ /h)		Sound (dB)	Weight (kg)
					0 Pa			
FR-FS1890R	220	Hi	50	92	500		56	20
		Med		67	430		52	
		Low		52	355		47	
	230	Hi	97	505		57		
		Med	71	440		53		
		Low	56	370		48		
240	Hi	103	510		57			
	Med	75	450		54			
		Low	59	385		49		

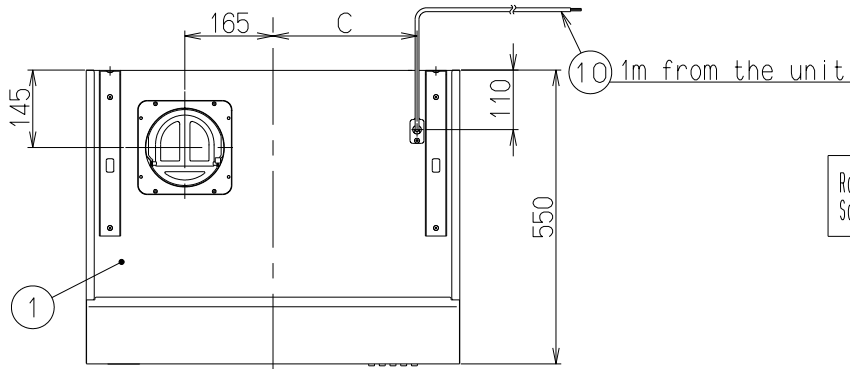
Motor type	4 Pole capacitor motor	Insulation	Over 10MΩ (resistance(500V megger))	Withstanding voltage	AC1000V 1 for 1 min	Insulation class	E
------------	------------------------	------------	-------------------------------------	----------------------	---------------------	------------------	---

Airflow measured by JIS C9603 chamber method

FR-FS1870RRS	1F9097AJ	Rich silver	—
FR-FS1870RSM	1F9097AA	Silver metallic	—
FR-FS1870RW	1F9097XP	White	—
Model	Product code	Color	Note

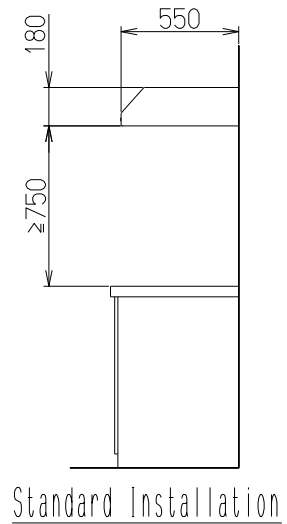
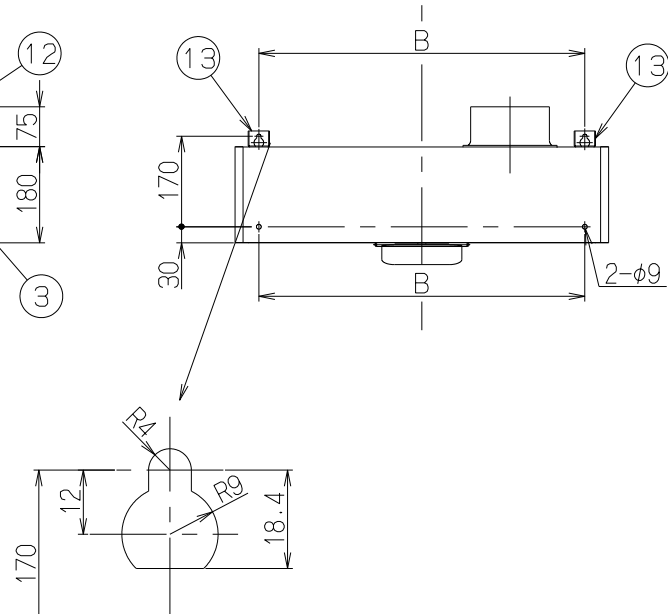
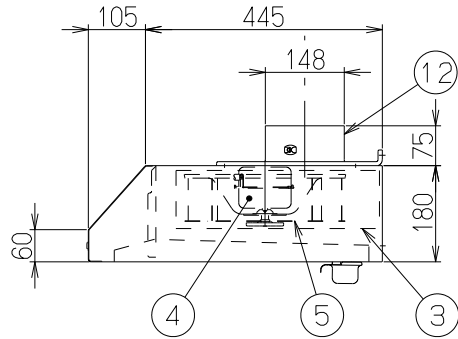
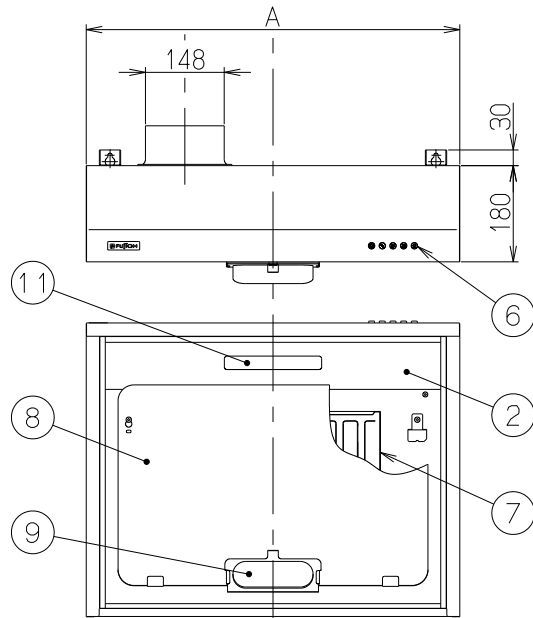
Created date	1/22/2018	Product category	Cooker Hood
Updated date	**/**/****	Model	FR-FS1890R
FUJII INDUSTRIAL CO., LTD.	Scale 1/10	Product outline drawing	

Mark	Revised record	Date
△		



Accessories
 Round washer head Screw (φ5.1 x 45mm) — 4pcs
 Soft tape — — — — — 1pc

Major Parts				
No.	Parts	Material	Finish	Color
1	Hood	Galvanized steel	Painting	Refer to column.
2	Oil panel	Galvanized steel	Painting	Refer to column.
3	Blower unit	Galvanized steel	Part painting:Black	
4	Motor	4 pole capacitor motor, Class E		
5	Fan	Galvanized steel (Turbo fan)		
6	Switch	Mechanical switch (Off, Lo, Med, Hi, Light)		
7	Filter	Galvanized steel (Aqua Slit Filter, 1 layer)		
8	Rectifier baffle panel	Galvanized steel	Painting	Refer to column.
9	Oil tray	Galvanized steel	Fancy-and-clean finish	*Accessories Black
10	Power supply cord	Cable cable (without a plug)		
11	Lighting	LED (Daylight white color), 3.5 Wx1 pc		
12	Exhaust port	Galvanized steel	Shutter is attached.	*Accessories
13	Hanging bracket	Galvanized steel		*Accessories



Detail: Installation hole

Specifications

Model	Voltage (V)	Speed	Frequency (Hz)	Power Consumption (W)	Airflow (m³/h)		Sound (dB)	Weight (kg)
					0 Pa			
FR-FS1870V	220	Hi	50	92	500	—	57	19
		Med		67	425	—	53	
		Low		52	350	—	47	
FR-FS1890V	230	Hi	50	97	505	—	58	21
		Med		71	435	—	54	
		Low		56	365	—	48	
	240	Hi	50	103	510	—	59	
		Med		75	450	—	54	
		Low		59	380	—	49	

Motor type	4 Pole capacitor motor	Insulation resistance	Over 10MΩ (500V megger)	Withstanding voltage	AC1000V for 1 min	Insulation class	E
------------	------------------------	-----------------------	-------------------------	----------------------	-------------------	------------------	---

Airflow measured by JIS C9603 chamber method

365	800	890	FR-FS1890VRS	1F9096AJ	Rich silver	—
			FR-FS1890VSM	1F9096AA	Silver metallic	—
			FR-FS1890VW	1F9096XP	White	—
270	610	700	FR-FS1870VRS	1F9095AJ	Rich silver	—
			FR-FS1870VSM	1F9095AA	Silver metallic	—
			FR-FS1870VW	1F9095XP	White	—
			Model	Product code	Color	Note
C	B	A	Created date	1/22/2018	Product category	Cooker Hood
			Updated date	**/**/****	Model	FR-FS1870/90V
			FUJI INDUSTRIAL CO., LTD.	Scale	1/10	Product outline drawing