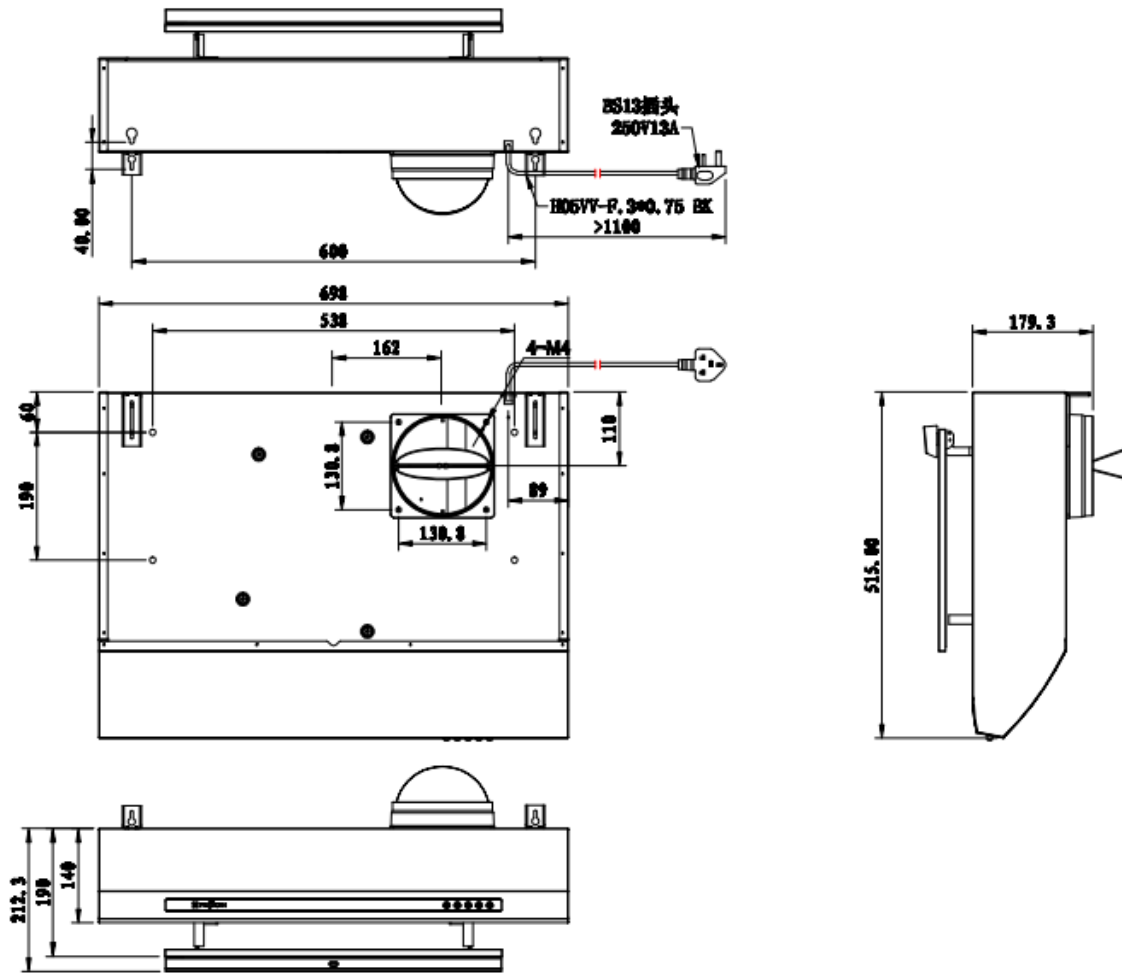
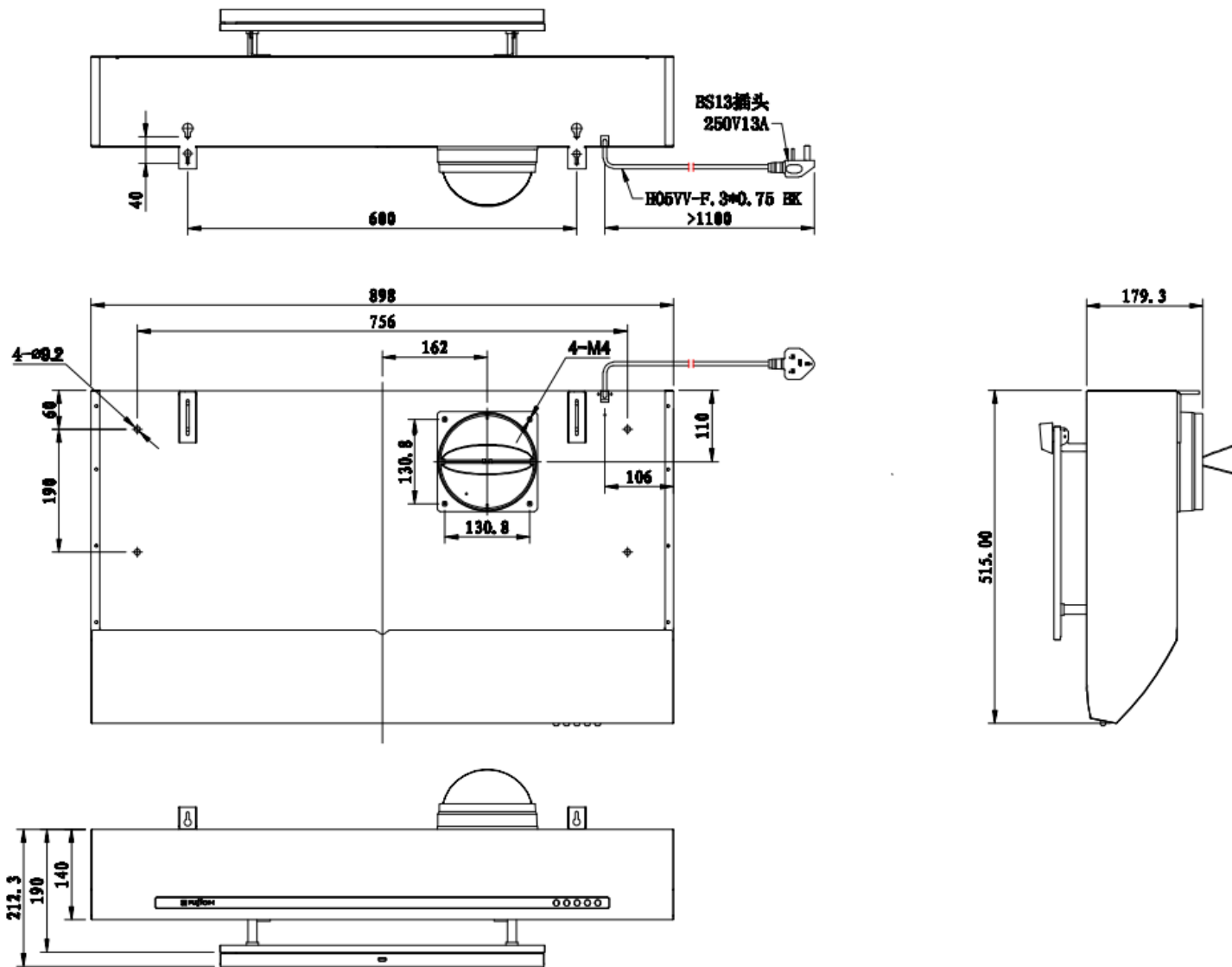


Mark	Revised record	Date
△		



FR-HS1870	—	SUS	—
Model	Product code	Color	Note
Created date	129/03/2018	Product category	Hood
Updated date	**/**/****	Model	FR-HS1870
FUJI INDUSTRIAL CO., LTD.	Scale	$\frac{1}{10}$	Product outline drawing

Mark	Revised record	Date
△		



FR-HS1890	—	SUS	—
Model	Product code	Color	Note
Created date	129/03/2018	Product category	Hood
Updated date	**/**/****	Model	FR-HS1890
FUJI INDUSTRIAL CO., LTD.	Scale	$\frac{1}{10}$	Product outline drawing