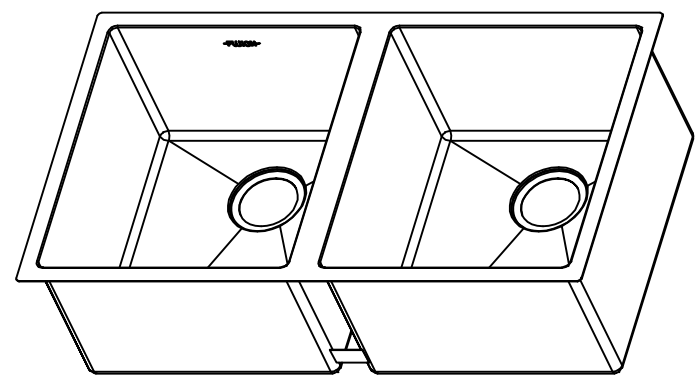


50  
6.4 **FUJIOH**  
logo



Draw		Material	SUS304	Name	Stainless Steel Sink		
Sales		Finish		PVD Color	No		
Check		Customer		Item No			
Approval				Customer Item	FZ-SN50-DS6U		
				Time	20201014		
				Proportion	Page No	1-1	Edition: