

# SINK FZ-SN50



広いシンクで、  
洗い物を手軽に。

## Keep the washing within your sink

Fujioh's handmade stainless steel sinks come with environmentally friendly noise reduction pads and condensation-resistant coating, equipping your kitchen with a quieter and moisture-resistant sink. With X-shaped drain lines and rounded corners, the sink can be easily cleaned and maintained.

Using 1.2mm-thick material, the durable sinks have deeper depth, allowing you to fit bigger pots and pans in the sink bowl, reducing water splashing to a minimum.



## ADVANCED FUNCTIONS

**01/** Condensation-resistant Coating and Noise Reduction Pads



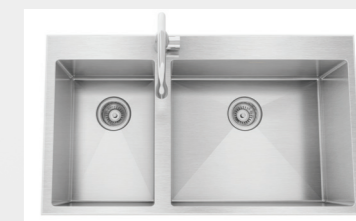
- Reduce moisture
- Quieter wash

**02/** X-Shaped Drain Lines



- Faster water drainage
- Reduce residue in bowl

**03/** 10mm Radius Corners with 230mm Depth



- Easy cleaning with no hidden dirt at corners
- Fit bigger pots and pans while minimise splashing

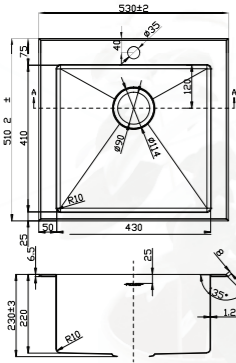


## TOP MOUNT TYPE



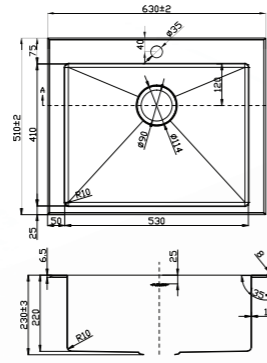
### FZ-SN50-S43T

Overall Size:  
W530 x D510 x H230 mm  
Bowl Size:  
W430 x D410 x H220 mm  
Cut-out Size:  
W506 x D486 mm  
Tap Hole:  
Ø35 mm  
Strainer Waste Hole:  
Ø90 mm  
Standard Waste:  
1



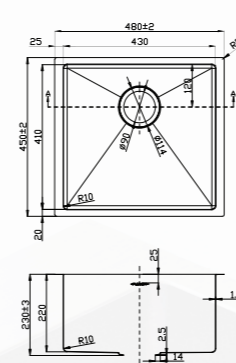
### FZ-SN50-S53T

Overall Size:  
W630 x D510 x H230 mm  
Bowl Size:  
W530 x D410 x H220 mm  
Cut-out Size:  
W606 x D486 mm  
Tap Hole:  
Ø35 mm  
Strainer Waste Hole:  
Ø90 mm  
Standard Waste:  
1



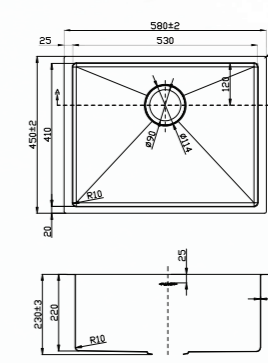
### FZ-SN50-S43U

Overall Size:  
W480 x D450 x H230 mm  
Bowl Size:  
W430 x D410 x H220 mm  
Cut-out Size:  
W430 x D410 mm  
Radian Corner R10  
Strainer Waste Hole:  
Ø90 mm  
Standard Waste:  
1



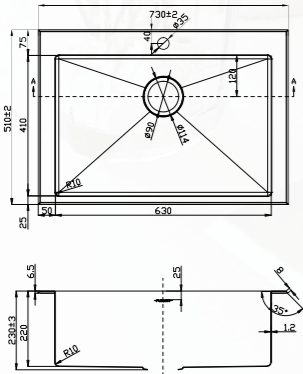
### FZ-SN50-S53U

Overall Size:  
W580 x D450 x H230 mm  
Bowl Size:  
W530 x D410 x H220 mm  
Cut-out Size:  
W530 x D410 mm  
Radian Corner R10  
Strainer Waste Hole:  
Ø90 mm  
Standard Waste:  
1



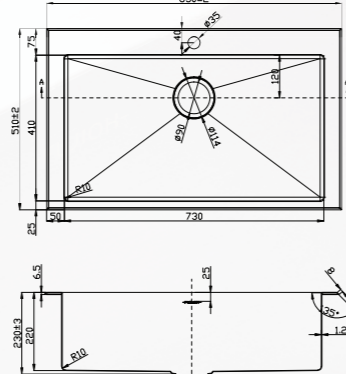
### FZ-SN50-S63T

Overall Size:  
W730 x D510 x H230 mm  
Bowl Size:  
W630 x D410 x H220 mm  
Cut-out Size:  
W706 x D486 mm  
Tap Hole:  
Ø35 mm  
Strainer Waste Hole:  
Ø90 mm  
Standard Waste:  
1



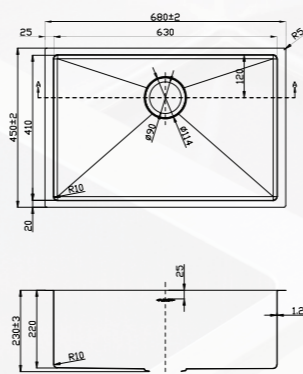
### FZ-SN50-S73T

Overall Size:  
W830 x D510 x H230 mm  
Bowl Size:  
W730 x D410 x H220 mm  
Cut-out Size:  
W806 x D486 mm  
Tap Hole:  
Ø35 mm  
Strainer Waste Hole:  
Ø90 mm  
Standard Waste:  
1



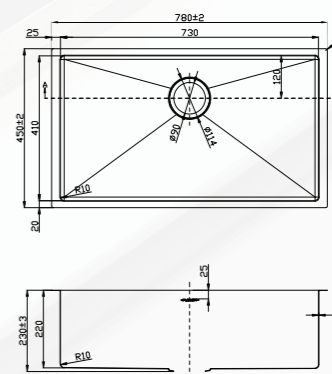
### FZ-SN50-S63U

Overall Size:  
W680 x D450 x H230 mm  
Bowl Size:  
W630 x D410 x H220 mm  
Cut-out Size:  
W630 x D410 mm  
Radian Corner R10  
Strainer Waste Hole:  
Ø90 mm  
Standard Waste:  
1



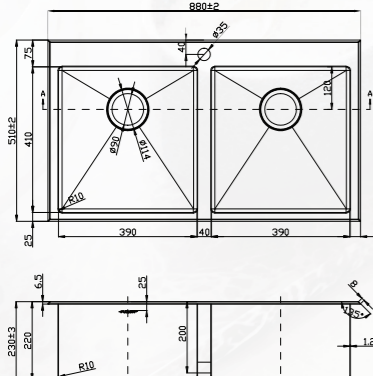
### FZ-SN50-S73U

Overall Size:  
W780 x D450 x H230 mm  
Bowl Size:  
W730 x D410 x H220 mm  
Cut-out Size:  
W730 x D410 mm  
Radian Corner R10  
Strainer Waste Hole:  
Ø90 mm  
Standard Waste:  
1



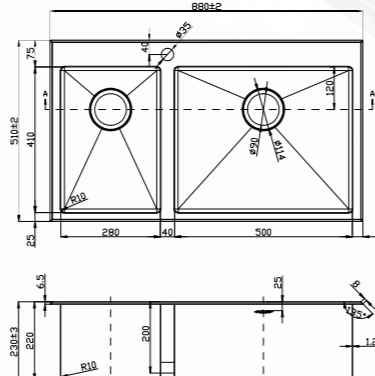
### FZ-SN50-D39T

Overall Size:  
W880 x D510 x H230 mm  
Bowl Size:  
W390 x D410 x H220 mm (L)  
W390 x D410 x H220 mm (R)  
Cut-out Size:  
W856 x D486 mm  
Tap Hole:  
Ø35 mm  
Strainer Waste Hole:  
Ø90 mm  
Standard Waste:  
2



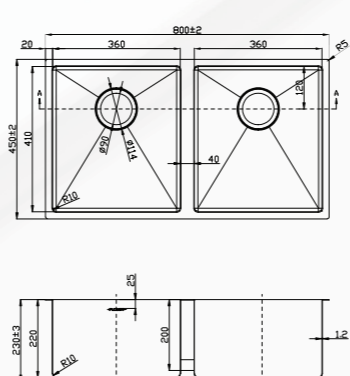
### FZ-SN50-D50T

Overall Size:  
W880 x D510 x H230 mm  
Bowl Size:  
W280 x D410 x H220 mm (L)  
W500 x D410 x H220 mm (R)  
Cut-out Size:  
W856 x D486 mm  
Tap Hole:  
Ø35 mm  
Strainer Waste Hole:  
Ø90 mm  
Standard Waste:  
2



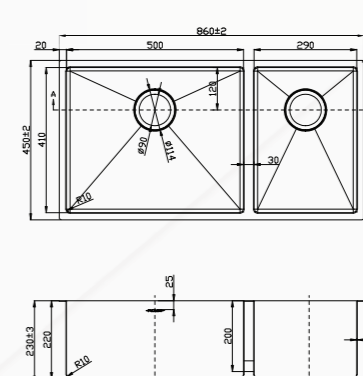
### FZ-SN50-D36U

Overall Size:  
W800 x D450 x H230 mm  
Bowl Size:  
W360 x D410 x H220 mm (L)  
W360 x D410 x H220 mm (R)  
Cut-out Size:  
W760 x D410 mm  
Radian Corner R10  
Strainer Waste Hole:  
Ø90 mm  
Standard Waste:  
2



### FZ-SN50-D50U

Overall Size:  
W860 x D450 x H230 mm  
Bowl Size:  
W500 x D410 x H220 mm (L)  
W290 x D410 x H220 mm (R)  
Cut-out Size:  
W820 x D410 mm  
Radian Corner R10  
Strainer Waste Hole:  
Ø90 mm  
Standard Waste:  
2



## UNDERMOUNT TYPE

