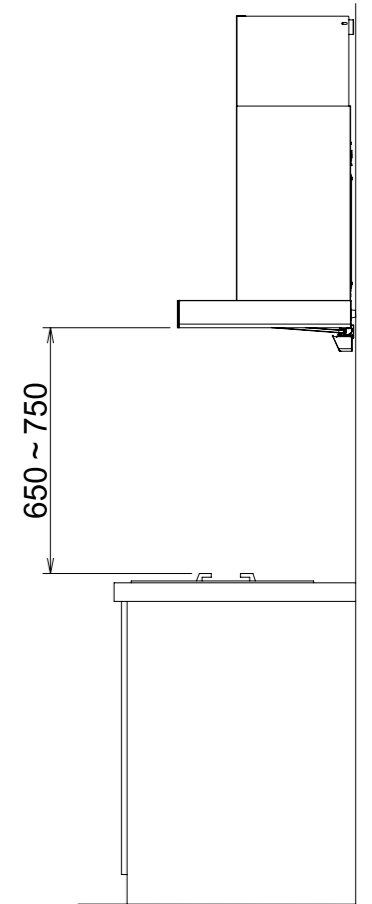
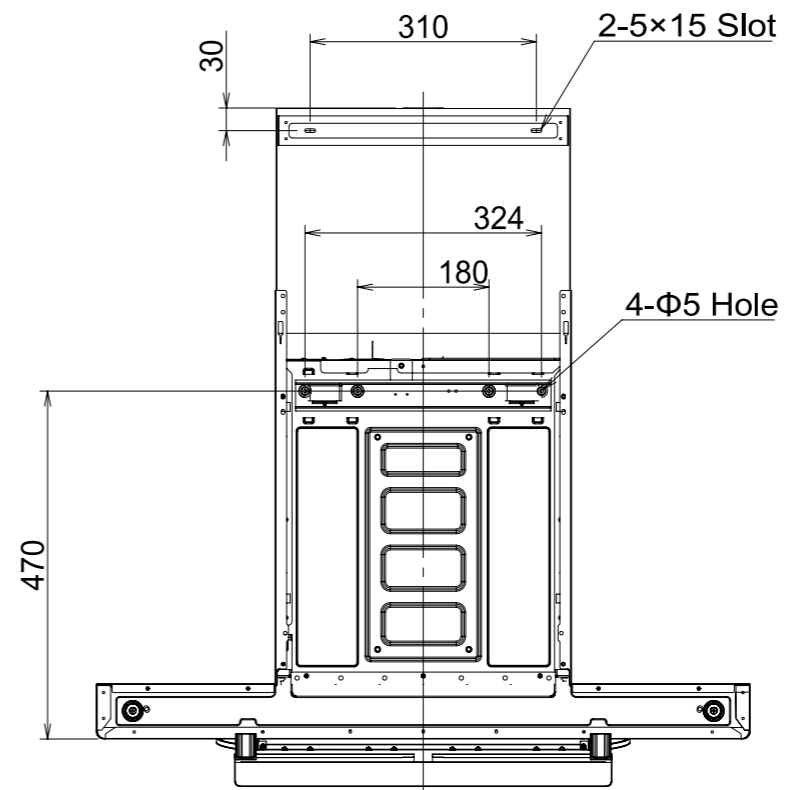
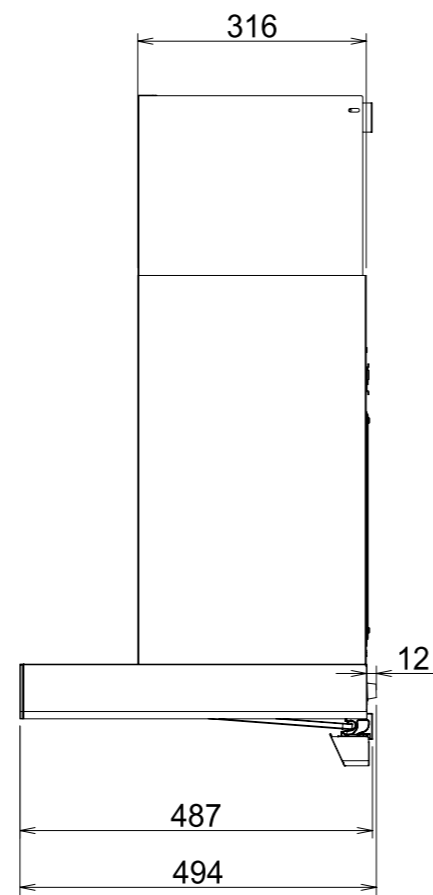
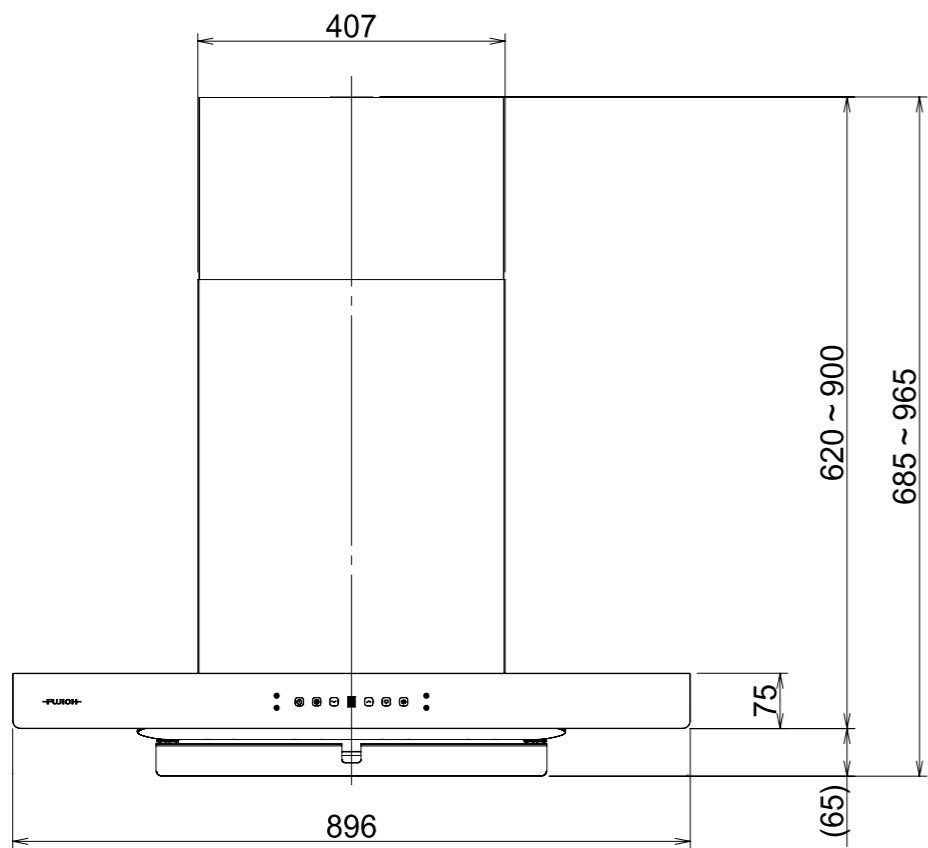


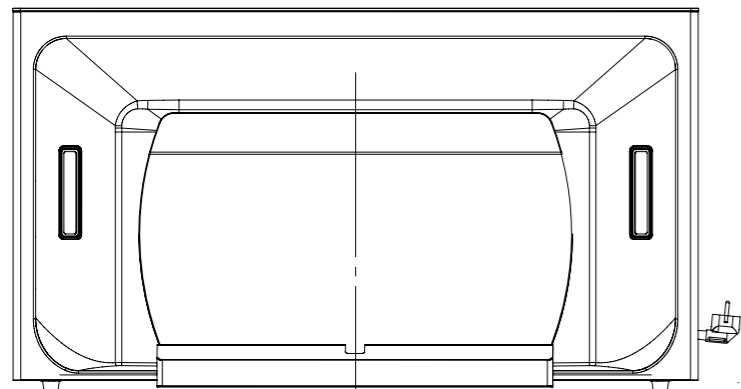
Specifications								
Model	Voltage (V)	Speed	Frequency (Hz)	Power consumption (W)	Airflow(m ³ /h)		Sound (db)	Weight (kg)
					0Pa	-		
FR-LT2490V	220	4	50	159	1200	-	52	26
		3		93	1035	-	48	
		2		72	870	-	45	
		1		50	740	-	40	
	230	4		160	1200	-	52	
		3		95	1040	-	48	
		2		74	865	-	45	
		1		51	740	-	41	
	240	4		161	1200	-	52	
		3		96	1040	-	48	
		2		75	870	-	45	
		1		52	740	-	41	

Motor class	10 Pole DC motor	insulation resistance	Over 10MΩ (500Vmegger)	Withstanding voltage	AC1000V for1min	Insulation class	E
-------------	------------------	-----------------------	------------------------	----------------------	-----------------	------------------	---

Airflow measured by JIS C9603 chamber method



Standard Installation



FR-LT2490V GR		Gray	
FR-LT2490V BK		Black	
Model	Product code	Color	Note
Created date	25/03/2024	Product category	Cooker Hood
Updated date		Model	FR-LT2490V
-FUJIOH-		Scale	1/10
Product outline drawing			

Mark	Revised record	Date
------	----------------	------