

-FUJIOH-

Cooker Hood
Instruction Manual

FR-LT2490V BK
FR-LT2490V GR

Please read this manual carefully
before using this appliance.

Contents

Warning	2
Caution	2
Safety warning	3
Product structure schematic	4
Packing list	4
Outline dimension	5
Control panel operation	5
Precautions	6
Daily maintenance	6
Specifications	7
The installation guide	8
Electrical schematic diagram	10
Cleaning and maintainance.....	10
Troubleshooting	11
After service	11
Warranty notice	12

Warning

- This appliance is not intended for use by persons (including children) with reduced physical, sensory or mental capabilities, or lack of experience and knowledge, unless they have been given supervision or instruction concerning use of the appliance by a person responsible for their safety. Children shall not play with the appliance. Cleaning and user maintenance shall not be made by children without supervision. If the supply cord is damaged, it must be replaced by the manufacturer, its service agent or similarly qualified persons in order to avoid a hazard.
- There shall be adequate ventilation of the room when the cooker hood is used at the same time as appliances such as burning gas or other fuels.
- Please do not use corrosive detergent for cleaning. The proper function of the unit is conditioned by the regularity of the maintenance.
- To protect the main body from corrosive formed by the long time accumulation of dirt, the cooker hood should be cleaned with hot water with non-corrosive detergent in every two months.
- There is a fire risk if cleaning is not carried out in accordance with the instructions.
- Do not flame under the cooker hood.
- The air must not be discharged into a flue that is used for exhausting fumes from appliances such as burning gas or other fuels.
- The minimum distance between the top most part of the cooking appliance such as gas hob and the lowest part of the cooker hood, when it is located exactly over the cooking appliance, shall be at least 650mm. If greater distance is specified in the manual of the cooking appliance, it must be taken into account.
- Regulations concerning the discharge of air must be fulfilled.

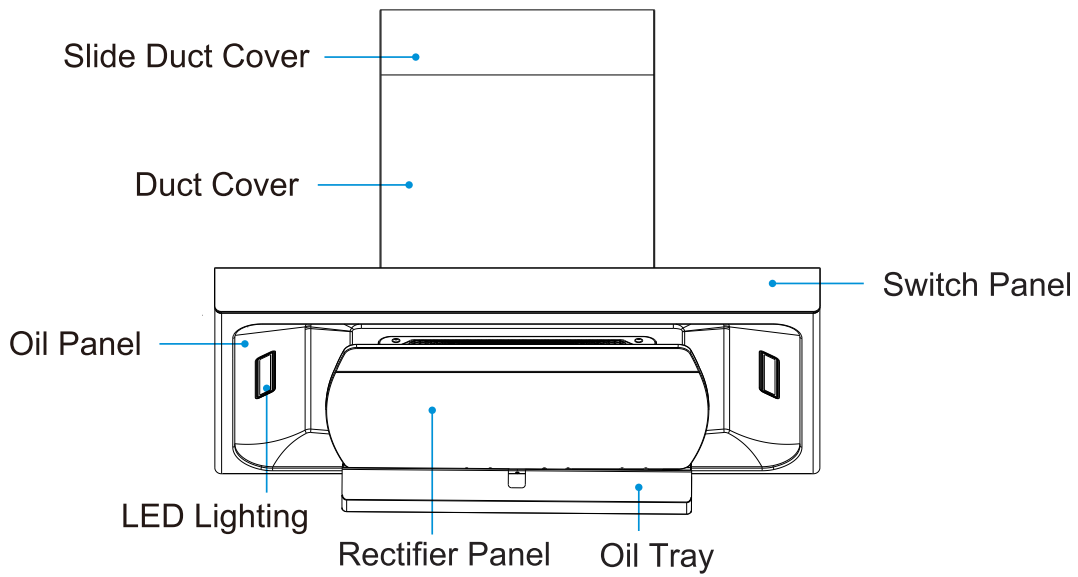
Caution

- Accessible parts may become hot when used with cooking appliances.
- This hood is an external exhaust type cooker hood, and the gas the cooker hood machine should not be discharged into the hot flue gas used for the discharge of smoke produced through burning gas or other fuel.
- If the cooker hood is installed above the gas stove, the distance from the bottom of the body to the focal plane is at least 650mm, which should be considered if the installation instructions of gas-fired stoves provide a larger installation distance.
- It is strictly forbidden to modify the product without authorization, and the power cord shall not be replaced or modified by itself.
- Please do not install the cooker hood machine on the wall of flammable material.
- Do not install the cooker hood machine on the top of the stove with solid fuel.
- When drilling holes in the wall, avoid electrical wires embedded in the wall to avoid electric shock hazard.
- A special power supply socket shall be used for the cooker hood machine, and the special power outlet should be reliably grounded (the product must use 10A, 220~V or above).
- The wall shall have sufficient supporting strength for the installation of the cooker hood machine. The hollow core of the wall shall be greater than 30mm, and the concrete wall can be directly punched and installed. The product must be securely mounted on the wall.
- The cooker hood may have very sharp edges. Please wear protective gloves when you install or clean the cooker hood.
- If your kitchen is under a state of decoration, do not use cooker hood exposed, for building materials, dust, paint, coatings and their volatile gas cooker hood surface causes corrosion and lose luster, please install cooker hood in after the decoration.

Safety warning

- The appliance is not intended for use by young children or infirm persons without supervisions.
- Young children should be supervised to ensure they do not play with the appliance.
- Plug the power cord to socket outlet with earthing continuity terminal.
- The cooker hood is for home use only, not suitable for barbecue, roast shop and other commercial purposes.
- The cooker hood and its filter should be cleaned regularly according to the instruction.
- Do not use open flame, or allow flame to go beneath the appliance.
- Please ensure that there is an adequate ventilation in the room while the cooker hood is in operation.
- Please ensure that the power plug is disconnected from the socket or turn off the breaker before cleaning or maintaining the hood.
- If the supply cord is damaged, it must be replaced by the manufacturer, service agent or similarly qualified person in order to avoid a hazard. The replaced power cord should be provided by manufacturer or seller.
- There is a fire risk if cleaning is not carried out in accordance to the instruction.
- In case of damaged connecting wire, please refer to the manufacturer, after-sale service personnel or other qualified technicians.
- Use the product according to the instructions to avoid any fire hazard.
- The exhaust air must not be introduced into a smoke flue or chimney that is used for exhausting fumes from appliances such as burning gas.
- Follow the local laws applicable for external air evacuation.

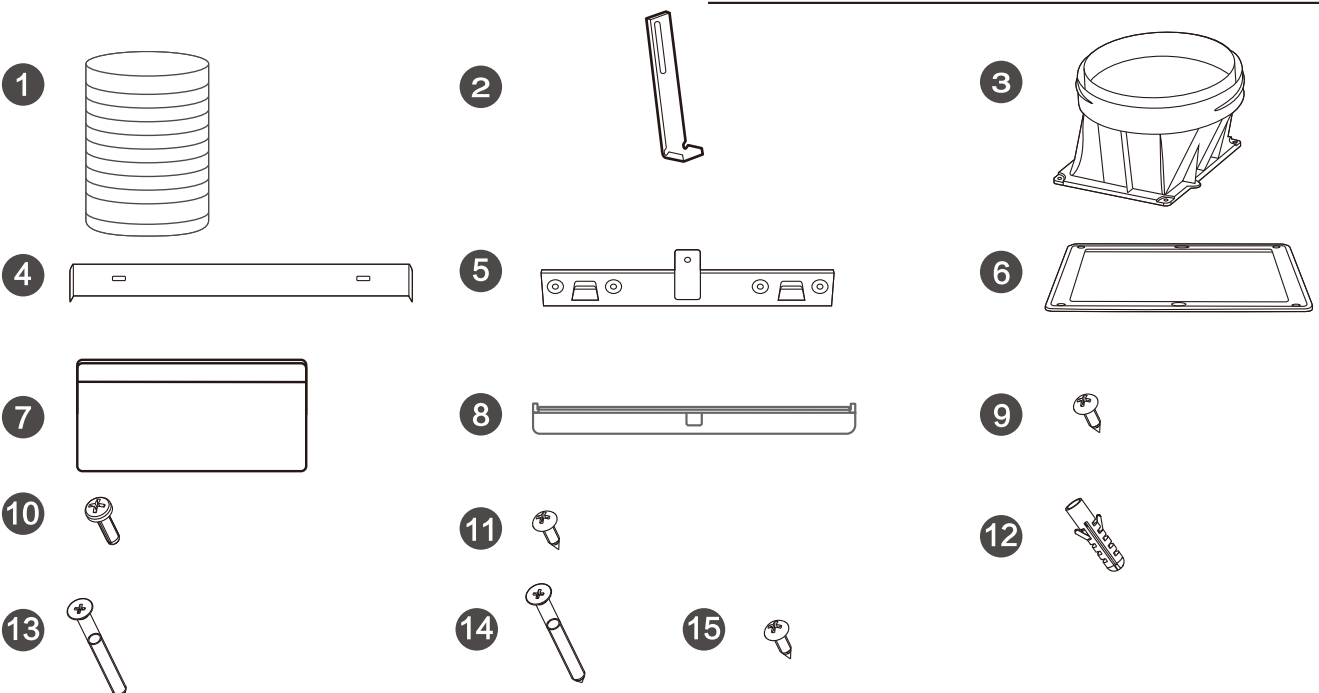
Product structure schematic



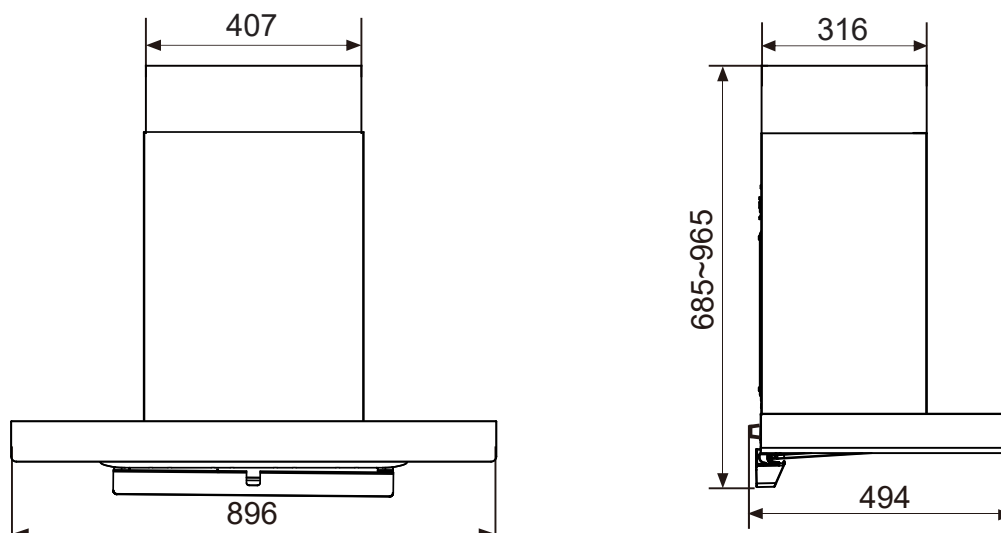
Packing list

Ref.	Qty.	Product Components
①	1	Flexible Tube Duct
②	1	Limit Block
③	1	Exhaust Outlet
④	1	Duct Cover Fixing Bracket
⑤	1	Hanging Bracket
⑥	1	Exhaust Outlet sealing gasket
⑦	1	Rectifier Panel
⑧	1	Oil Tray

Ref.	Qty.	Product Components
⑨	4	Screws(ST4.2×16)
⑩	1	Screw (M5×16)
⑪	2	Screws(ST4.2×9.5)
⑫	7	Plastic expansion pipe
⑬	6	Cross - groove countersunk head wood screw (M5×50)
⑭	1	Screw(ST5×45)
⑮	2	Screws(ST2.9×9.5)



Outline dimension(unit: mm)



Control panel operation

Touch buttons light status: Off, On, Flickering

Long press :2~3 seconds

Short press:0.5 second



- | | | |
|--|--------------|---|
| | Switch | 1 st Short press: Start up (speed 1);
2 nd Short press: Delay 3 min, maintain speed at that time;
3 rd Short press: OFF immediately. |
| | Smoke sensor | Short press to enter smoke sensor function, the cooker hood automatically adjust the suction power according to the somke level.
If the power is not ON, it will not work even if " (A) " lights up. |
| | Speed | Short press to adjust speed. |
| | | |
| | Heat clean | 1 st Long press: Enter clean mode, except the light, other keys are not operable.
2 nd Long press: Exit clean mode. |
| | Light | Short press: Turn on or off the light. |



Gesture

Wave hand from left to right in stand by status to turn on the light and motor on speed 1. In running state, waving hand to the left side to enter the delay off state for 3 minutes. Waving hand to the right side to switch speed (1-2-3-4-1) repeatedly.

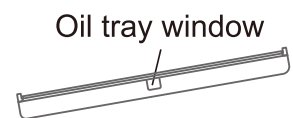
Precaution

- Please note that the power supply voltage and frequency should be consistent to the voltage and frequency required for the product.
- Please make sure that the oil tray has been properly installed.
- In the cooking process, please keep the kitchen environment well ventilated.
- During operation, if abnormal conditions (abnormal noise, odor, smoke, fever), hood body gets heated) are observed, immediately turn off the power and unplug the power cord from the breaker.
- Do not handle the power cord with wet hand.
- Do not pull the power cord to pull out the power cord plug.
- If you do not use the cooker hood for a long time, please unplug the power cord.
- When the cooker hood is working, do not place hands into the fan or operation area.

Daily maintenance

Surface cleaning

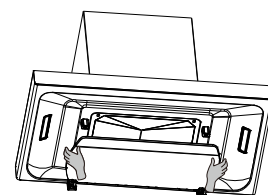
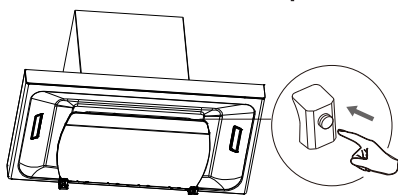
1. Always clean the surface and screen of the cooker hood. Do not use harsh sponge or brush to avoid surface scratching of the product.
2. When oil is visible from the oil tray window, please timely maintain the oil tray to avoid oil dripping.
3. Remove the rectifier panel by referring to the disassembly method mentioned below. Then, clean the rectifier panel by soaking it in warm water with neutral detergent. Use a soft brush to clean the residue.



NOTE: Make sure to wear gloves during maintenance.

Guide for disassembly of rectifier panel

Remove the rectifier panel as indicated




1. Hold the rectifier panel with both hands, and press the left and right sides to open the rectifier panel.

2. After the rectifier panel is opened, hold the rectifier panel with both hands and remove it horizontally.

Specifications

Rated voltage (v)	Speed	Power consumption (w)	Air flow (m ³ /h)	Sound (dB)
220	4	159	1200	52
	3	93	1035	48
	2	72	870	45
	1	50	740	40
230	4	160	1200	52
	3	95	1040	48
	2	74	865	45
	1	51	740	41
240	4	161	1200	52
	3	96	1040	48
	2	75	870	45
	1	52	740	41

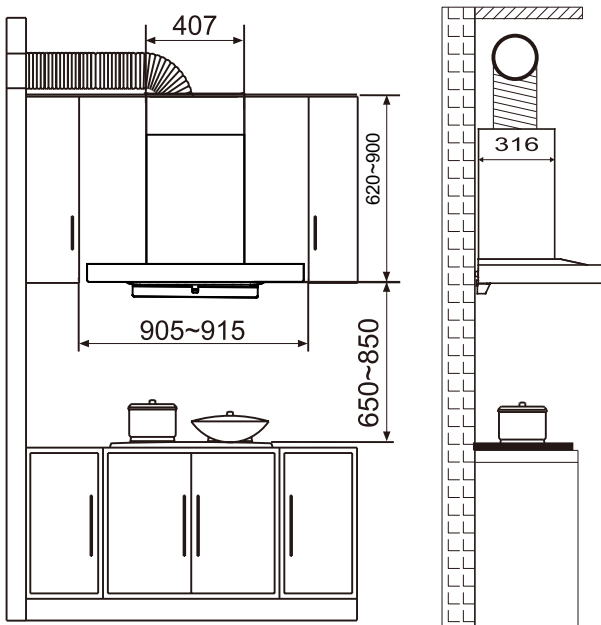
LED light information

Square / Dimension:	Max Power	Voltage	Picture	Lamp Cap
120mm x 33.2mm	1.5W	DC 12 V		---

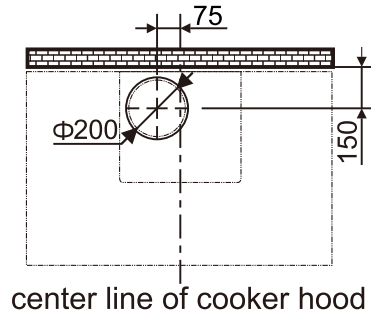
The installation guide

1 To determine the location (unit: mm)

The range hood machine should be installed horizontally and above the cooker. The installation diagram is as follows.



Schematic diagram of opening size of exhaust pipe at the ceiling



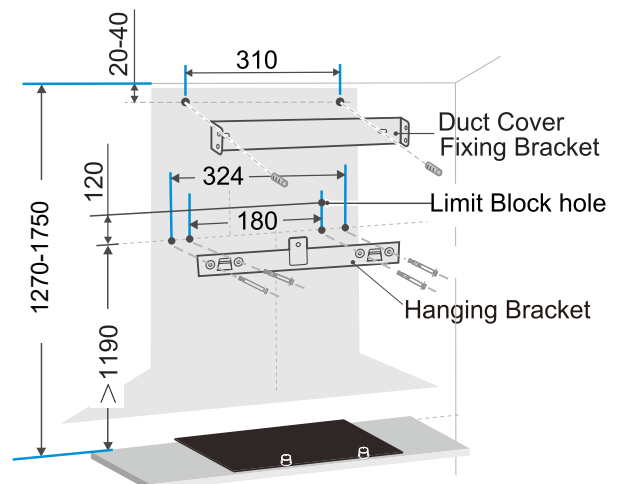
Exhaust pipe to the cabinet installation diagram

Installation precautions

- After installation of the cooker hood, the left and right level should be maintained.
- Should avoid excessive windows and air convection in the vicinity of the cooker hood, otherwise it will affect the efficiency of the cooker hood.
- Exhaust pipe requirements.
- The exit of the exhaust pipe should not be too long.

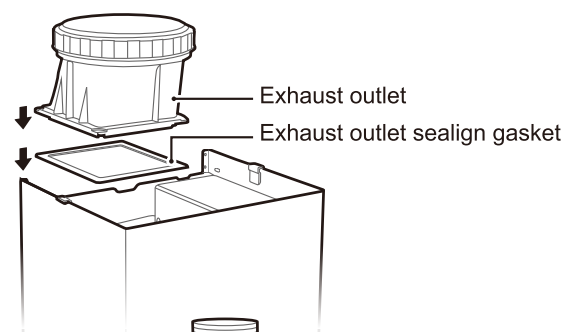
2 Installation of Hanging Bracket (unit: mm)

As shown in the picture on the right, drill 4 screw holes with 10mm diameter and 50 to 60mm depth, install 4 plastic expansion pipes inside the manhole with 4 M5×50 countersunk head wood screws to fix the hanging bracket and reliable.



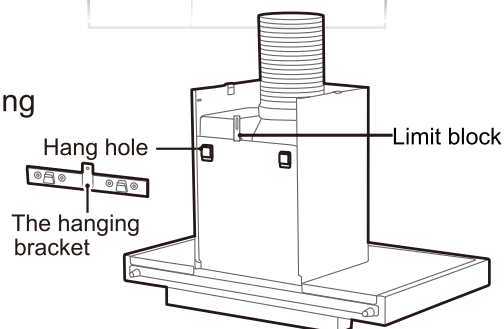
3 Installation of Exhaust Outlet

Install the exhaust outlet components together with the exhaust outlet sealing gasket in the position of the rack outlet, tighten with 4 ST4.2 x 16 screws, check and make sure that the blade is rotating flexibly.



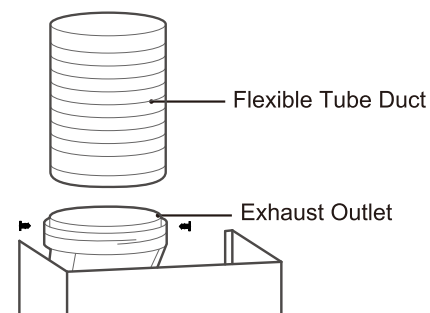
4 Installation of the machine

Align the hole in the rear of the body to the hanger of the hanging bracket, and hang it from the top down. After hanging the cooker hood, confirm the installation level of the machine. Hold the limit block against the machine and fix the limit block reliably with ST5 x 45 screw to prevent the machine from falling off accidentally.



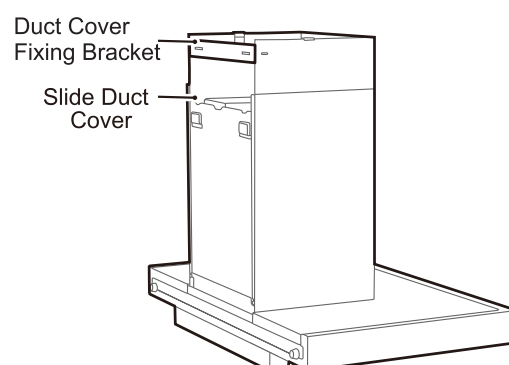
5 The installation of flexible tube duct

Set one side of flexible tube duct in the exhaust outlet with 2 ST2.9x9.5 as shown, and wrap the aluminum foil tape around the installation joint of the exhaust outlet and the flexible tube duct. Then connect the other side of the flexible tube duct to the outdoor or public flue. If the flexible tube duct is too long, please adjust the long tube to the contraction state and fix it with adhesive tape to prevent the pipe from swinging during the working process.



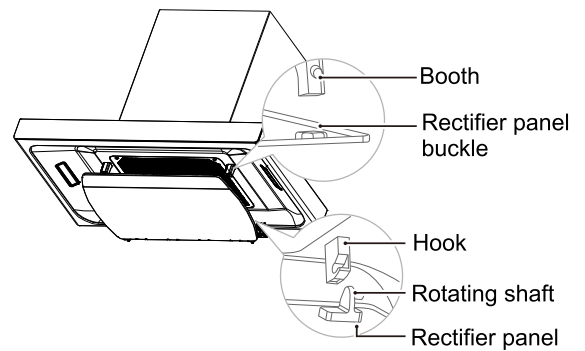
6 Installation of Slide Duct Cover

According to the installation height and duct cover fixing bracket mounting holes, drill 2 holes in the wall with 10mm diameter and 50 to 60mm depth, the plastic expansion pipe pressure inside the hole, provided with 2 M5 x50 cross - groove countersunk head wood screw will cover duct cover fixing bracket reliable fixation. the slide duct cover to the corresponding height, and use the 2 ST4.2 x 9.5 screws on the duct cover fixing bracket.



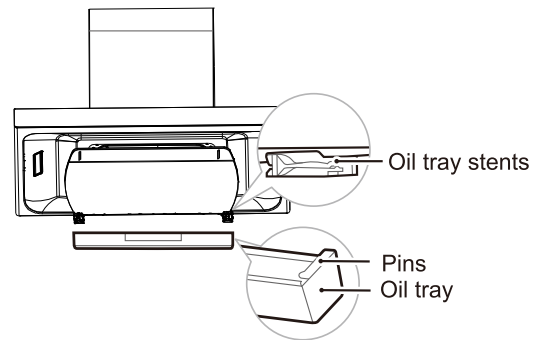
7 Installation rectifier panel

The hands hold the rectifier panel, rectifier panel rotation of a shaft insertion on the oil panel hook slot, turn up, insert the rectifier panel buckle on the oil panel in the booth, fixed completely.



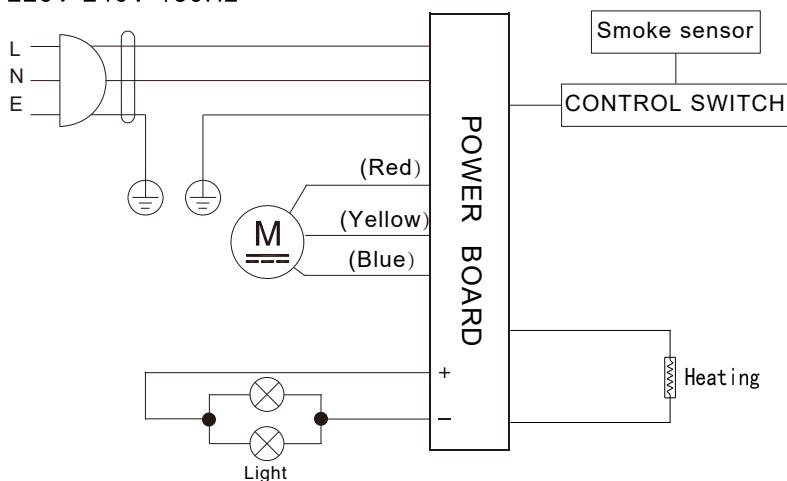
8 Installation Oil Tray

Hold the bottom end of the oil tray with both hands and place the oil tray horizontally. Insert the oil tray into the holder and push the oil tray back to the oil tray stents.



Electrical schematic diagram

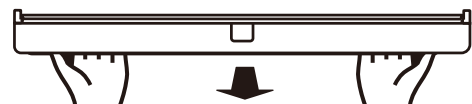
220V-240V~/50Hz



Clean and maintain

Before cleaning the condenser plate and screen, always make sure to cut off the power and unplug the power.

- It is recommended to maintain regularly. It is recommended to use dry cloth after cooking or to wipe the inner and outer surface of the hood with a wet and clean cloth soaked with neutral detergent. Do not use gasoline, acid, benzene, this solvent or any other chemical to clean the cooker hood.
- When the oil tray window in the oil tray is filled with oil, please clean it in time. The oil tray disassembly procedure is as follows: hold the lower part of the oil tray with both hands, and remove the oil tray horizontally; After cleaning, install the oil tray in reverse order. (the oil tray is longer, please hold it firmly when the oil tray is removed so as not to spill the oil.)



Troubleshooting

Fault	Solution
Both light and motor do not work	Unplug power plug and reconnect the power supply.
Oil leakage	Oil Tray installed incorrectly, please reinstall.
	Oil Tray filled with oil, clean the oil cup.
	Oil path blockage caused due to long time nonattendance of internal oil path, get professional to clean the hood internal.
Insufficient suction	Avoid opening windows or doors frequently.
	Adjust to max. speed.

After service

Non- artificial breakdown of the product within warranty period from the purchase date will be offered free repair service based on invoice. Damage due to improper use, out of warranty and poor maintenance will be repaired by our company but charging certain maintenance cost. Please do not tear off the product bar code so that the repairman can verify the record. Please read the warranty notice concerning other terms and conditions. In addition, instructions are also available in an alternative format on official website of the manufacturer.

Warranty notice

First, to safeguard your interests, please fill out the installation service card carefully and retain the receipt for warranty.

Second, the product purchased from our company that has broken-down due to quality problem can be repaired at designated special service department based on valid purchase proof. Free repair is offered within warranty period (from the date of purchase proof issued).

Third, for the following situations, we are not responsible for "Free Guarantees" repair service but still provide charging service:

- 1) The product damaged due to improper use or poor safekeeping.
- 2) The product damaged due to improper installation or maintenance.
- 3) The product without valid purchase proof.
- 4) The product's purchase proof has been altered.
- 5) The product model and body code registered on installation service card is inconsistent with the model and body code of the product to be repaired.
- 6) The product damaged due to the instability of power voltage or exceeding normal voltage scope (198-242) V.a.c, or power circuit installation not meeting the national electrical installation requirement.
- 7) The product sold at discounted price or with "OFF-Grade" and "Substandard Goods" printed on installation service card or the body.
- 8) Product damaged due to irresistible natural disaster.
- 9) Product warranty period is expired.
- 10) The product damaged by the unsuitable and improper method specified in instruction book.

Fourth, if your reasonable service demand can't be solved by special service department or dissatisfaction with their service, please make an immediate call or write a letter to our customer service center, we will provide you with our service.

Disposal



Please dispose it at your local community waste collection / recycling center and ensure that it presents no danger to children while being stored for disposal. The plug must be rendered useless and the cable cut off to prevent misuse.

The manufacturer shall decline all responsibility if the foregoing recommendations and instruction regarding installation, maintenance and use are not observed and respected when using the cooker hood.

Global Website

<https://global.fujioh.com>

FUJIOH INTERNATIONAL TRADING PTE. LTD.

Southeast Asia Regional Headquarters

3014A Ubi Road 1 #06-04, Singapore 408703

Tel:(65)6286 3286 Fax:(65)6285 3285

E-mail:fit@fujioh.com.sg

FUJIOH MARKETING MALAYSIA SDN. BHD.

23, Jalan Serendah 26/39, Section 26, 40400

Shah Alam, Selangor, Malaysia

Tel:(60)35103 6826

E-mail:enquiry@fujioh.my

Rev1 2024



Website

2024年第1版

E-mail:enquiry@fujioh.my

Tel:(60)35103 6826

Shah Alam, Selangor, Malaysia

23, Jalan Serendah 26/39, Section 26, 40400

FUJIOH MARKETING MALAYSIA SDN. BHD.

E-mail:fit@fujioh.com.sg

Tel:(65)6286 3286 Fax:(65)6285 3285

3014A Ubi Road 1 #06-04, Singapore 408703

东南亚区域总部

FUJIOH INTERNATIONAL TRADING PTE. LTD.

<https://global.fujioh.com>

全球网站

全球网站



如在使用吸油烟机时未遵守上述有关安装、维护和使用的建议和说明，制造商将不承担任何责任。

保修

首先，为了维护您的利益，请仔细填写安装服务卡，并保留保修收据。

其次，从我公司购买的产品如因质量问题发生故障，可凭有效购物凭证到指

定特约服务部门维修。保修期（自所出具证明的购买之日起）内提供免费维修。

第三，对于以下情况，我们不负“免费保修”服务，但仍提供收费服务：

- 1) 由于使用不当或保管不妥造成的产品损坏。
- 2) 由于安装或维护不当造成的产品损坏。
- 3) 没有有效购买凭证的产品。
- 4) 产品的购买凭证有涂改。
- 5) 安装服务卡上登记的产品型号和机身代码与维修产品的型号和机身代码不一致。
- 6) 因电源电压不稳定或超过正常电压范围（198-242）V.A.C.或电源电路安装不符合国家电气安装要求而造成的产品损坏。
- 7) 以折扣价出售的产品或在安装服务卡或机身上印有“不合格品”和“不合格准品”的产品。
- 8) 由于不可抗自然灾害造成的产品损坏。
- 9) 产品已过保修期。
- 10) 产品因说明书中规定的不适当和不恰当的方法而损坏。

第四，如果特约服务部门无法解决您的合理服务需求或对其服务不满意，请立即致电或写信给我们的客户服务中心，我们将为您提供服务。

处置

请将废弃电器投放到当地的社区废物收集/回收中心，并确保废弃

电器的存放地点不会对儿童造成危险。必须使插头失效，并切断电缆

以防误用。



故障排除

故障	解决方案
灯和电机均无法运行	请拔掉电源插头，重新连接电源。
漏油	油杯安装不正确，请重新安装。
	油杯中充满了油，请清洁油杯。
	内部油路长时间不保养造成油路堵塞，请专业人员清洁吸烟机内部。
吸力不足	避免频繁开窗或开门。 调节至最大速度。

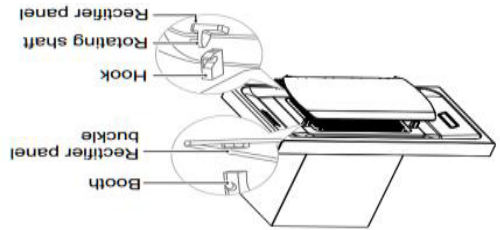
售后服务

自购买之日起保修期内的非人为故障，凭发票可提供免费维修服务。因使用不当、超出保修期和维修不妥造成的损坏，本公司将予以维修，但需收取一定的维护费用。请勿撕掉产品条形码，以便修理人员核实记录。请阅读有关其他条款和条件的保修通知。此外，制造商的官方网站上也提供了替代格式の説明。

7、安装整流板

用手握住整流板,将整流板旋转轴插入油面板钩槽上,并完全固定。到油面板卡座上,并完全固定。

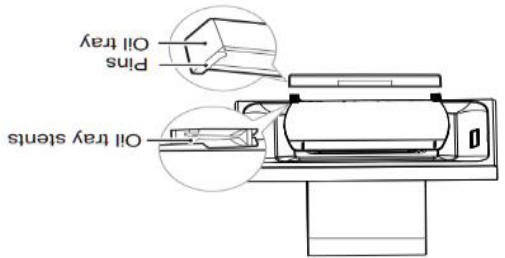
Booth	卡座
Rectifier panel buckle	整流板卡扣
Hook	钩
Rotating shaft	旋转轴
Rectifier panel	整流板



8、安装油杯

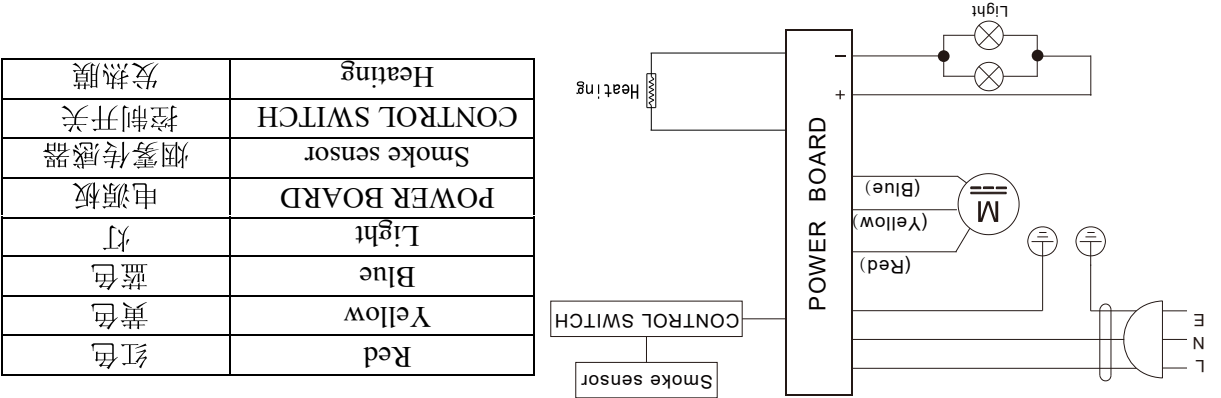
用双手握住油杯的底端,水平放置油杯。将油杯插入支架,并将油杯推回油杯支架。

Oil tray stents	油杯支架
Pins	销
Oil tray	油杯



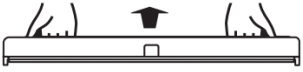
电气原理图

220V~240V~/50Hz



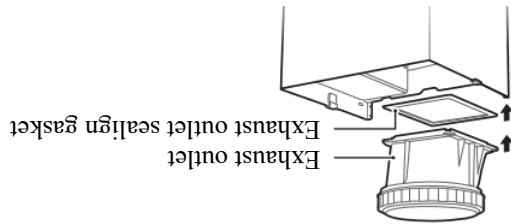
清洁和维护

在清洁电容器板和屏幕之前,请务必切断电源并拔下插头。
 ● 建议定期维护。建议烹饪后使用干布或用浸有中性洗涤剂的干净湿布擦拭吸烟机的内外表面。请不要使用汽油、酸、苯、此溶剂或任何其他化学物质来清洁吸烟机。
 ● 当油杯中的油杯窗口充满油时,请及时清洁。油杯拆卸程序如下:用双手握住油杯下部,水平取下油杯;清洁后,按相反顺序安装油杯。(油杯较长,拆油杯时请拿稳,以免油溢出。)



3、排气口的安装

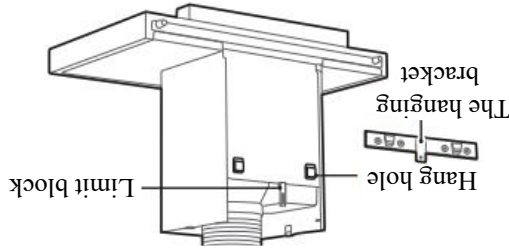
将排气口组件连同排气口密封垫一起安装在机架排气口的位置，用4个ST4.2 x 16螺钉拧紧，检查并确保叶片转动灵活。



排气口	Exhaust outlet
排气口密封垫	Exhaust outlet sealign gasket

4、机器的安装

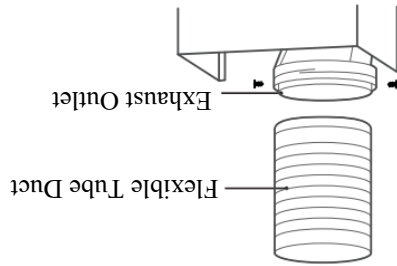
将机身后部的孔对准机体挂钩，从上到下悬挂。吸油烟机挂好后，确认机器的安装水平度。将限位块抵住机器，并用ST5 x 45螺丝将限位块可靠固定，以防机器意外脱落。



吊孔	Hang hole
机体挂钩	The hanging bracket
限位块	Limit block

5、伸缩管的安装

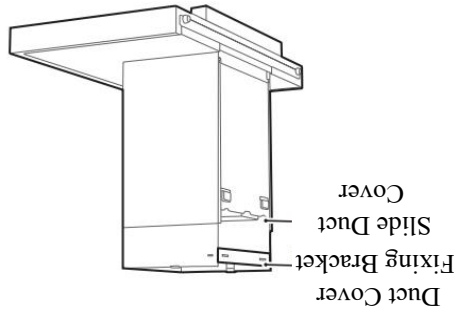
如图所示，用2个ST2.9x9.5将伸缩管的一侧安装在排气口中，并用铝箔胶带缠绕排气口和伸缩管的安装接头。然后将伸缩管的另一端连接到室外或公共烟道。如果伸缩管过长，请将长导管调整到收缩状态，并用胶带固定，以防管道在工作过程中摆动。



伸缩管	Flexible Tube Duct
排气口	Exhaust Outlet

6、安装上装饰罩

根据安装高度和装饰罩挂钩安装孔，在墙上钻2个直径10毫米、深度50-60毫米的孔，将塑料膨胀管压入孔内，用2个M5x50十字槽沉头木螺钉将装饰罩挂钩可靠固定。将上装饰罩滑动到相应的高度，并使用2个ST4.2x9.5螺钉固定装饰罩挂钩。



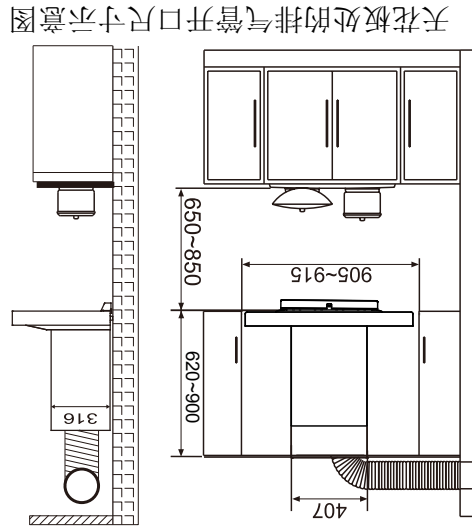
装饰罩挂钩	Duct Cover Fixing Bracket
上装饰罩	Slide Duct Cover

安装指南

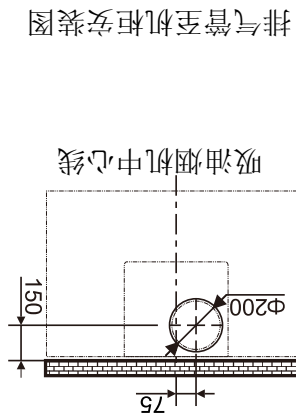
1、确定位置 (单位: 毫米)

吸油烟机应水平安装在灶具上方。

安装图如下。



天花板处的排气管开口尺寸示意图



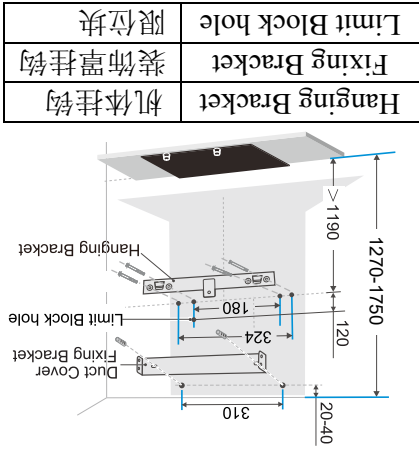
排气管至机柜安装图

安装注意事项

- 吸油烟机在安装后, 应保持左右水平。
- 应避免在吸油烟机附近过多开窗和空气对流, 否则会影响吸油烟机的效率。
- 排气管要求。
- 排气管的出口不能太长。

2、机体挂钩安装 (单位: 毫米)

如右图所示, 钻 4 个直径 10 毫米、深度 50 至 60 毫米的螺孔, 用 4 个 M5x50 沉头木螺钉将 4 根塑料膨胀管安装在入孔内, 将吊架固定可靠。




机体挂钩	Hanging Bracket
装饰罩挂钩	Fixing Bracket
限位块	Limit Block hole

规格

额定电压 (V)	速度	功耗 (W)	风量 (m ³ /h)	声音 (dB)
220	4	159	1200	52
	3	93	1035	48
	2	72	870	45
	1	50	740	40
230	4	160	1200	52
	3	95	1040	48
	2	74	865	45
	1	51	740	41
240	4	161	1200	52
	3	96	1040	48
	2	75	870	45
	1	52	740	41

LED 灯信息

面积/尺寸	最大功率	电压	图片	灯头
120 毫米 x 33.2 毫米	1.5W	直流 12 V		--

注意事项

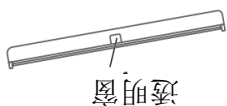
- 请注意，电源电压和频率应与产品所需的电压和频率一致。
- 请确保正确安装油杯。
- 在烹饪过程中，请保持厨房环境良好通风。
- 在操作过程中，如果观察到异常情况（异常噪音、气味、烟雾、发热、罩体变热），请立即关闭电源并从断路器上拔下电源线。
- 请勿湿手操作电源线。
- 请勿将电源线拔出电源线插头。
- 如果长时间不使用吸油烟机，请拔掉电源线。
- 吸油烟机运行时，请勿将手伸入风扇或运行区域。

日常维护

表面清洁

- 1、请经常清洁吸油烟机的表面和滤网。请勿使用粗糙的海绵或刷子，以免划伤产品表面。

- 2、当可从油杯窗口看到油时，请及时维护油杯，以免滴油。



- 3、请参照下述拆卸方法拆下整流板。然后，将整流板浸泡在含有中性

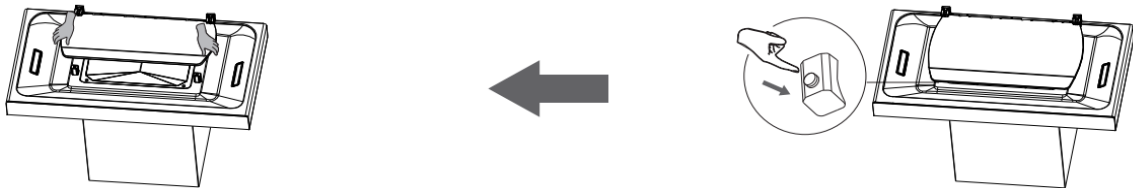
清洁剂的温水中进行清洁。用软刷清理残渣。

注意：维护时一定要戴手套。

整流板拆卸指南

按照指示拆卸整流板

- 1、用双手握住整流板，按下左右两侧以打开整流板。
- 2、打开整流板后，用双手握住整流板，并保持水平取下。



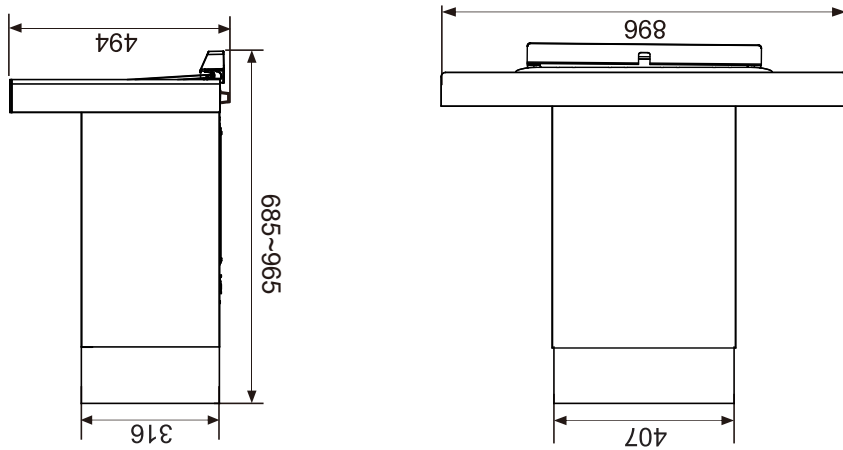
控制面板操作

按键灯有熄灭、全亮、闪烁四种状态。

长按：2~3秒

短按：0.5秒

外形尺寸 (单位: 毫米)



开关



第1次短按：启动 (1档)；
第2次短按：延时3分钟，档位保持不变；
第3次短按：立即关闭。

烟感



短按开启烟感功能，烟机根据烟雾浓度的变化自动调节吸力大小。
关机状态下，即使烟感功能开启，烟感也不会工作。

档位调节



短按这两个按键，加大或减小烟机的档位。

自清洁



第一次长按：进入自清洁模式，除了灯，其它按键都不可操作。
第二次长按：退出自清洁模式。

照明



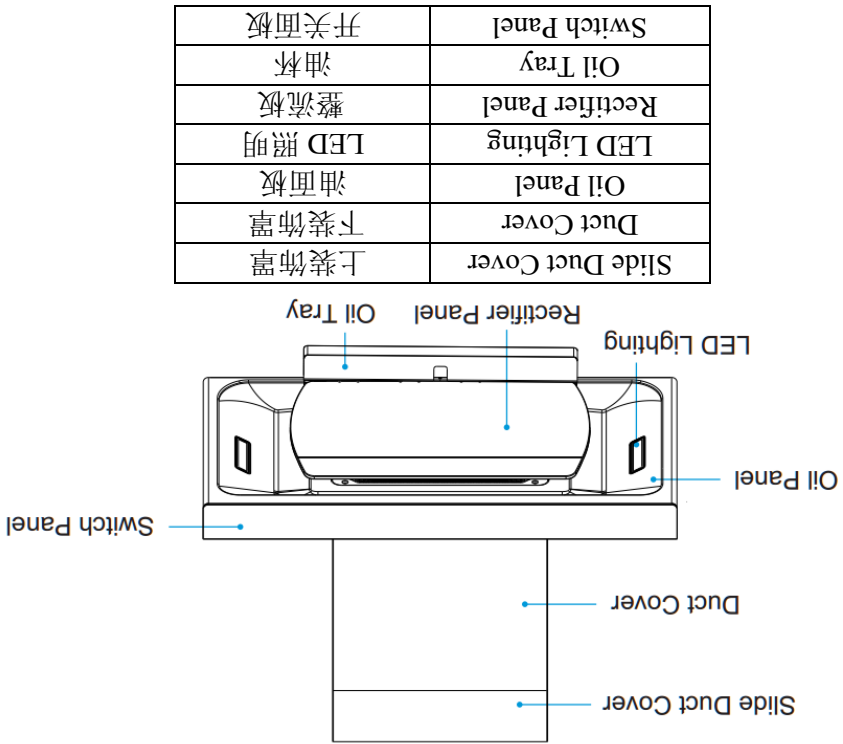
短按：打开或者关闭灯。



手势

关机状态下从左往右挥手，电机在1档运行，照明灯打开；
待机状态下从右往左挥手，进入延时3分钟关机状态，从左往右挥手，
风机按1-2-3-4-1循环调档。

产品结构示意图



Slide Duct Cover	上装饰罩
Duct Cover	下装饰罩
Oil Panel	油面板
LED Lighting	LED 照明
Rectifier Panel	整流板
Oil Tray	油杯
Switch Panel	开关面板

包装清单

编号	数量	产品组件
①	1	伸缩管
②	1	限位块
③	1	排气口
④	1	装饰罩挂钩
⑤	1	机体挂钩
⑥	1	排气口密封胶垫
⑦	1	整流板
⑧	1	油杯
⑨	4	螺钉 (ST4.2*16)
⑩	1	螺钉 (M5*16)
⑪	2	螺钉 (ST4.2*9.5)
⑫	7	塑料膨胀管
⑬	6	十字槽沉头木螺钉 (M5*50)
⑭	1	螺钉 (ST5*45)
⑮	2	螺钉 (ST2.9*9.5)

- 安全警告
- 幼儿或体弱者不得在无人监管时使用本电器。
- 应监督幼儿，确保他们不会将本电器作为玩具玩耍。
- 将电源线插到有接地连续性终端的电源插座。
- 该吸油烟机仅供家庭使用，不适用于烧烤、烤肉店和其他商业用途。
- 应按照说明定期清洗吸油烟机及其过滤器。
- 切勿使用明火，勿使火卷入本电器下方。
- 吸油烟机运行时，请确保室内良好通风。
- 清洁或维护吸油烟机前，请确保电源插头从插座上断开或关闭断路器。
- 如果电源线损坏，必须由制造商、其服务代理或类似的合格专业人士进行更换，以避免危险。更换的电源线应由制造商或销售商提供。
- 如果不按照说明实施清洁，将产生火灾风险。
- 如连接导线损坏，请咨询制造商、售后服务人员或其他合格的技术人员。
- 请按照说明使用产品，以避免任何火灾危险。
- 不得将废气引入用于排出烧气设备所产生烟气的烟道或烟窗。
- 请遵循当地适用于外部空气疏散的法律。

- 10A、220~V 或以上的插座)。
- 墙壁应具有足够支撑强度，以便安装吸油烟机。墙体空心应大于 30 毫米，可以直接在混凝土墙上打孔安装。产品必须牢固地安装在墙上。
- 吸油烟机可能有锐边。在安装或清洁吸油烟机时，请戴上防护手套。
- 如果您的厨房正在装修，请勿使用暴露在外的吸油烟机，因为建材、灰尘、油漆、涂料及其挥发性气体会对吸油烟机表面造成腐蚀并使其失去光泽，请在装修完后安装吸油烟机。

警告

- 本电器不适用于体力、感官或心智能力欠缺或缺乏经验和知识的人（包括儿童）使用，除非他们得到对其安全负责的人员的监督或指导，可确保安全使用此电器。儿童不得玩耍本电器。清洁和维护不得由儿童在缺少监督的情况下进行。如果电源线损坏，必须由制造商、其服务代理或类似的合格专业人士进行更换，以避免危险。

- 当吸油烟机与燃烧气体或其他燃料的设备同时使用时，室内应足够通风。
- 请勿使用腐蚀性清洁剂进行清洗。设备的正常运行取决于定期维护。
- 为保护主体不受长时间积累的污垢腐蚀，吸油烟机应每两个月用热水加无腐蚀性清洁剂进行清洗。

- 如果不按照说明实施清洁，将产生火灾风险。
- 切勿在吸油烟机下方点火。

- 烟气不得排放至用于排放其他废气的烟道，例如烧气或其他燃料的设备所产生的废气。

- 当吸油烟机位于灶具正上方时，灶具最顶部（如煤气灶）和吸油烟机最低部分之间的最小距离至少应为650毫米。如果灶具说明书中规定了更大的距离，则必须予以考虑。

- 必须遵守排气相关的规定。

注意

- 使用灶具时可接触部件温度将升高。
- 本吸油烟机为外排式吸油烟机，吸油烟机抽出的气体不应排放到热烟气中，用于排放燃烧燃气或其他燃料产生的烟气。

- 如果吸油烟机安装在燃气灶上方，则从机身底部到焦平面的距离至少为650毫米，如果燃气灶的安装说明提供了更大的安装距离，则必须予以考虑。

- 严禁未经授权改装产品，不得自行更换或改装电源线。

- 请勿将吸油烟机安装在易燃材料的墙壁上。

- 请勿将吸油烟机安装在固体燃料灶的顶部。

- 在墙上钻孔时，应避免将电线嵌入墙内，以免触电危险。

- 吸油烟机应使用专用电源插座，专用电源插座应可靠接地（产品必须使用

目录

警告	2
注意	2
安全警告	3
产品结构示意图	4
包装清单	4
外形尺寸	5
控制面板操作	5
注意事项	6
日常维护	6
规格	7
安装指南	8
电气原理图	10
清洁和维护	10
故障排除	11
售后服务	11
保修	12

-FUJIOH-

吸油烟机
使用说明书

FR-LT2490V BK
FR-LT2490V GR

使用前，
请仔细阅读本说明书。