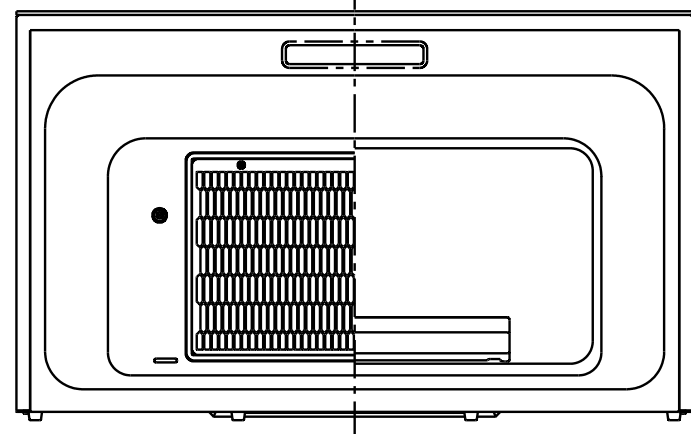
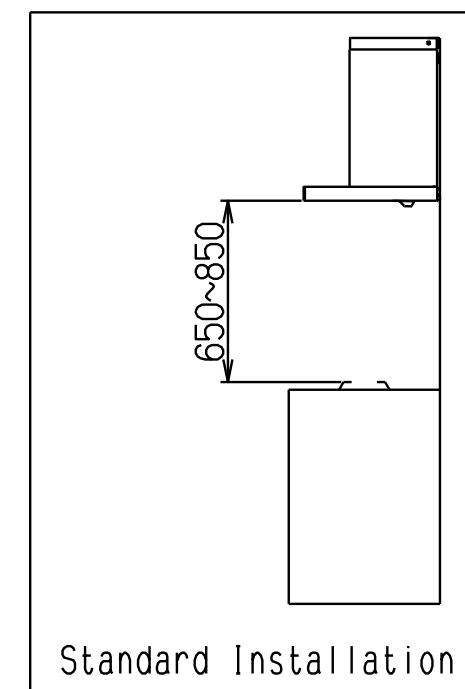
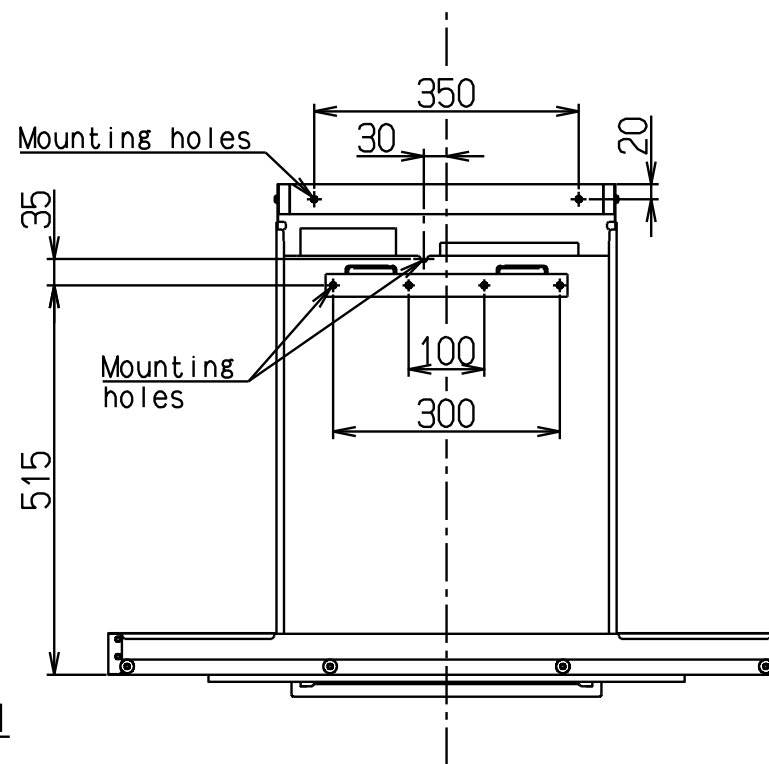
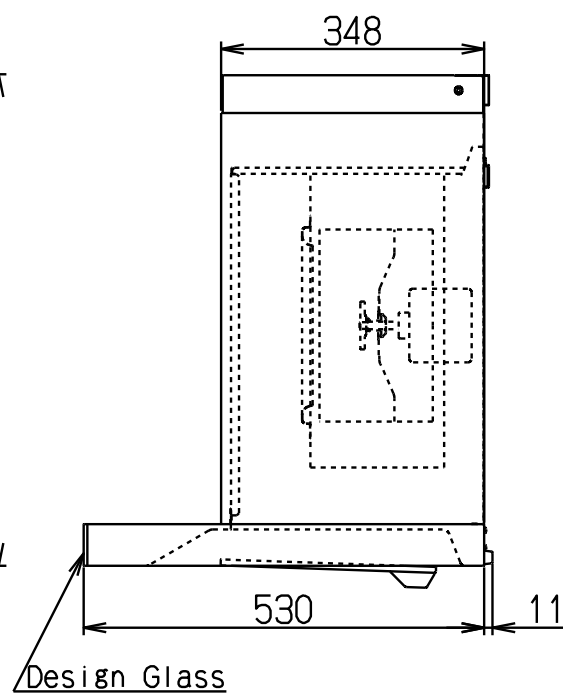
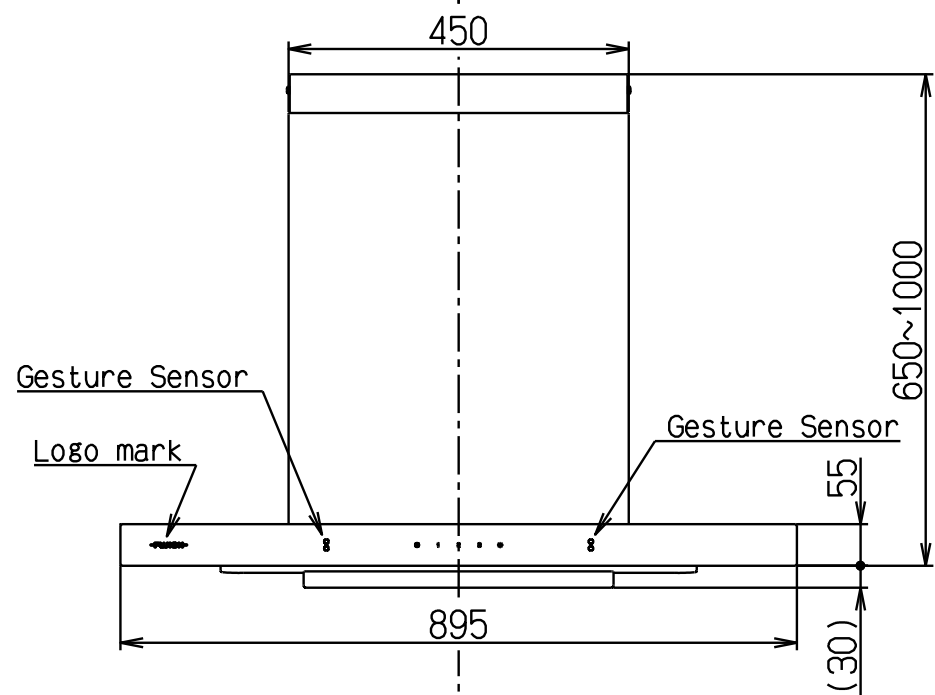
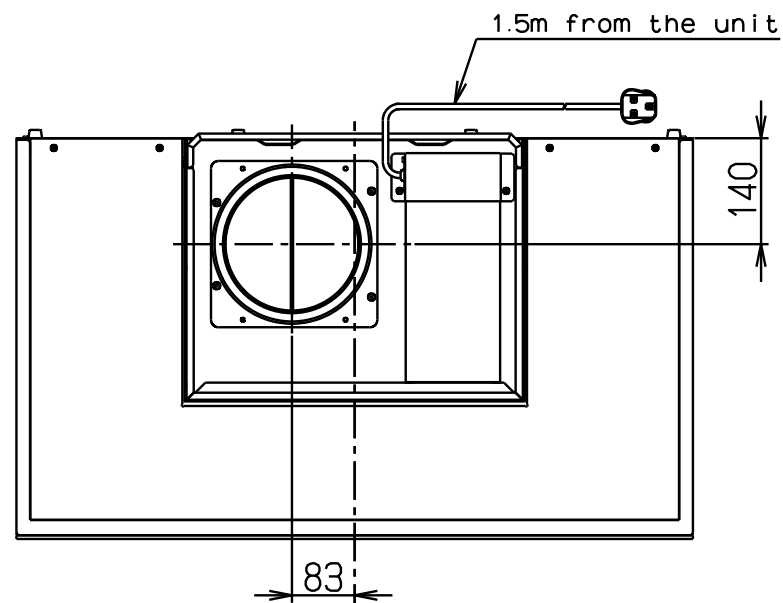


記号	変更履歴	校閲番号	年月日	担当
△				
△				



Specifications

Model	Voltage (V)	Frequency (Hz)	Speed	Power Consumption (W)	Airflow (m ³ /h)		Sound (dB)	Weight (kg)
					0 Pa	—		
FR-FD2490VP	240	50	Boost	225	1240	—	56	30
			Hi	170	1130	—	53	
			Med	90	915	—	48	
			Low	45	705	—	42	

Motor type	4 Pole DC brushless motor	Insulation resistance	Over 10MΩ (500V megger)	Withstanding voltage	AC1000V for 1 min	Insulation class	E
------------	---------------------------	-----------------------	-------------------------	----------------------	-------------------	------------------	---

Airflow measured by JIS C9603 chamber method
(At 350Pa: maximum power consumption 245W)

FR-FD2490VP XW	1F9133HW	Oil Repellent Texture White	—
FR-FD2490VP XBK	1F9133HB	Oil Repellent Texture Black	—
FR-FD2490VP TRE	1F9133AX	Oil Repellent Texture Red	—
FR-FD2490VP RS	1F9133AJ	Rich Silver	—
FR-FD2490VP SM	1F9133AA	Silver Metallic	—
Model	Product code	Color	Note
Created date	3/18/2024	Product category	Cooker Hood
Updated date		Model	FR-FD2490VP
FUJI INDUSTRIAL CO., LTD.	Scale	1/10	Product outline drawing