

Cooker Hood

FR-FD2490VP

Installation/Operation Manual

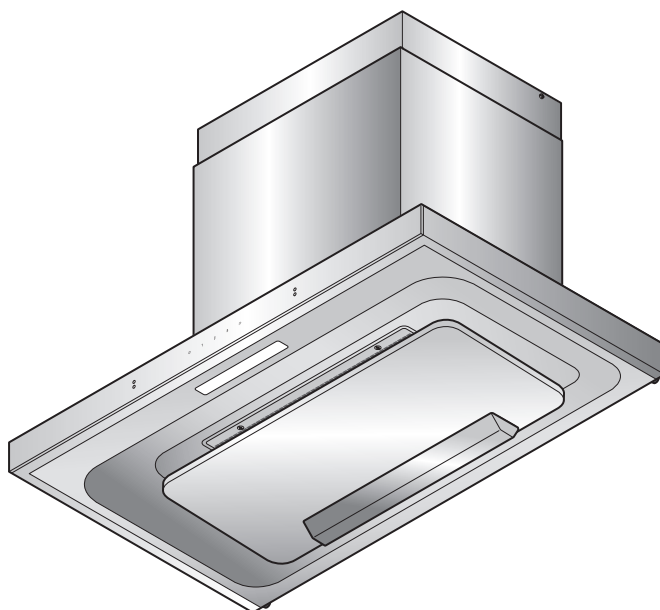


TABLE OF CONTENTS

Safety Precautions	2~4	Operation check	13
Precautions on use	4	Maintenance	14~17
Preparation	5~8	Precautions for maintenance	14
Name of Parts	5	Detaching/Attaching of parts	
Switch	6, 7	to be cleaned	15~17
Gesture Control	8	Cleaning	17
Installation	9~13	Other Information	18,19
Preparation and checking		Specifications	18
before installation	9,10	Circuit Diagram	18
Installing the cooker hood ...	11~13	Service and warranty	19

To the sales shop/installer:
after installation, please
provide this manual to the
user without fail.

Thank you very much for purchasing our cooker hood.

**Please read this manual thoroughly before installing/operating
the cooker hood.**

Keep this manual properly for future reference after reading.

1F02 3081



Safety Precautions

- Read the following safety precautions before installation and operation, and use the cooker hood properly and securely.
- These safety precautions are for correct operation of the product, preventing any harm or damage to yourself or others. These safety precautions are classified into 2 categories (“WARNING” and “CAUTION”) depending on their hazard and severity. Please pay attention and strictly observe these safety precautions as they are crucial to safety.













 **WARNING**

Alerts possible risk of **serious injury**, if not observed.

 **CAUTION**

Alerts possible risk of **injury or physical damage**, if not observed.

WARNING

- | | |
|--|--|
|  Less than 4 burners | <ul style="list-style-type: none"> ● The cooker hood is intended to be installed over a hob with up to four hob elements or burners. |
|  Disassembly, repair, or modification prohibition | <ul style="list-style-type: none"> ● Never attempt to disassemble, repair or modify.
Always seek help from a qualified technician. Otherwise, there may be fire, electric shock or abnormal conditions. |
|  Prohibition on use | <ul style="list-style-type: none"> ● Do not use in regions where the power voltage exceeds 240V AC.
Otherwise, there may be fire hazards or electric shock. |
|  Caution during assembly | <ul style="list-style-type: none"> ● Electric wiring shall be carried out properly by professional technician or personnel.
Incorrect wiring may cause electric leakage or fire hazards. |
|  Caution during installation | <ul style="list-style-type: none"> ● Installation work should be performed by a minimum of 2 persons.
The weight of the cooker hood is about 30kg. |
|  Caution during installation | <ul style="list-style-type: none"> ● Breakers shall be incorporated in the fixed wiring to ensure all-pole disconnection from the main power source. |
|  Disconnection of the power plug | <ul style="list-style-type: none"> ● Be sure to disconnect the power plug from the outlet, or switch off the breaker during maintenance. Also, never handle the power plug or breaker with wet hands.
Otherwise, there may be electric shock or physical injury. |
|  Dust removal | <ul style="list-style-type: none"> ● The power plug shall be cleaned regularly to prevent dust accumulation.
Otherwise, there may be fire hazards or electric shock. |
|  Water spraying prohibition | <ul style="list-style-type: none"> ● Never spray water on any electric parts.
Otherwise, there may be fire hazards or electric shock. |
|  Operation prohibition | <ul style="list-style-type: none"> ● In case of a gas leak, do not switch on the cooker hood.
Otherwise, it may result in a gas explosion. |
|  Attention to ventilation | <ul style="list-style-type: none"> ● The cooker hood shall be installed at a place with sufficient ventilation.
When using a natural exhaust type stove, poor ventilation may result in carbon monoxide poisoning. |
|  Strict implementation | <ul style="list-style-type: none"> ● The air shall not be discharged into hot flues that are used for discharging fumes generated from burning gas or other fuels (not applicable to cooker hoods that can discharge the air back into the room). |

WARNING



Attention to adjustment

- **Always perform exhaust adjustments.**



Supervision requirement

- **The product is not intended for use by persons (including children) with reduced physical, sensory or mental capabilities, or lack of experience or knowledge, unless they are under the supervision or guidance of a specially assigned person who is responsible for their safety.**

Children require extra supervision. Do not let children play with the product.



Attention to ventilation

- **Ensure that there is sufficient ventilation in the room when using the cooker hood with multiple appliances burning gas or other fuels.**



Cleaning frequency

- **Cleaning that is not carried out in accordance to safety precautions may result in a fire hazard.**



BBQ prohibition

- **Never barbecue under the cooker hood.**

CAUTION



Caution during installation

- **Install the product in a stable location.**

Otherwise, the cooker hood may detach and cause injury or damage.



Disconnection of the plug by holding the power plug

- **When disconnecting the power, hold the power plug itself instead of the power cord.** Otherwise, it may result in the damage of the power cord, as well as fire hazards or electric shock.



Disconnection of the plug

- **Be sure to disconnect the power plug from the outlet, or switch off the breaker when the cooker hood is idle for a long run.**

Otherwise, it may result in the deterioration of the insulation property, as well as fire hazards or electric shock.



Prohibition on use

- **Never use the product in a wet place such as bath room (Exhaust fans should be used in a bath room).**

Otherwise, it may result in fire hazards or machine failure.



Caution during assembly

- **Component parts removed while repairing shall be securely assembled.**

Otherwise, there may be injury or damage caused by detaching of the parts or cooker hood itself.



Caution during assembly

- **Ensure that electric wiring is laid out safely according to the related standard or regulations.**

Incorrect wiring may result in fire or electrical shock.



Contact prohibition

- **Never touch the filter or parts around it while cooking.**

Otherwise, it may result in the detachment of the filter or parts, and even burns or injury.



Contact prohibition

- **During operation, never insert fingers or other objects into the cooker hood.**

Otherwise, it may result in the machine failure or physical injury.



Operation prohibition

- **Switch off the cooker hood immediately if the pan catches fire.**

Otherwise, the cooker hood will fuel the fire and create a dangerous situation.



Caution during installation

- **The distance between the topmost part of cooking appliance and the lowest part of cooker hood, when it is located exactly over the cooking appliance, shall be 650mm to 850mm. If greater distance is specified in the cooking appliance manual, it must be taken into account.**

CAUTION



Prohibition
on object
placing

- **Never put anything on the cooker hood.**
Otherwise, it may result in fire hazards, machine failure or injury due to detachment.



Using gloves

- **Always wear gloves during maintenance.**
Otherwise, the user may be injured by sharp edges or corners.



Replacement
of damaged
power cord

- **If the power cord is damaged, request for a replacement from the manufacturer, its service agent or similarly qualified persons in order to avoid any hazards.**



Prohibition

- **Do not stare directly at the LED lights when they are turned on.**



Caution

- **Clean the oil tray when the oil level reaches one half of the height to prevent the oil from overflowing or dripping during removal.**



Caution
during
installation

- **In order to prevent the product from detaching, the plastic expansion pipes shall be used with the drill with corresponding specifications to ensure that the connection is as seamless as possible.**



Caution
during
installation

- **Use the mounting bracket and plastic expansion pipes that come with the cooker hood during installation (to concrete walls) for preventing the product from detaching.**



Strict
implementation

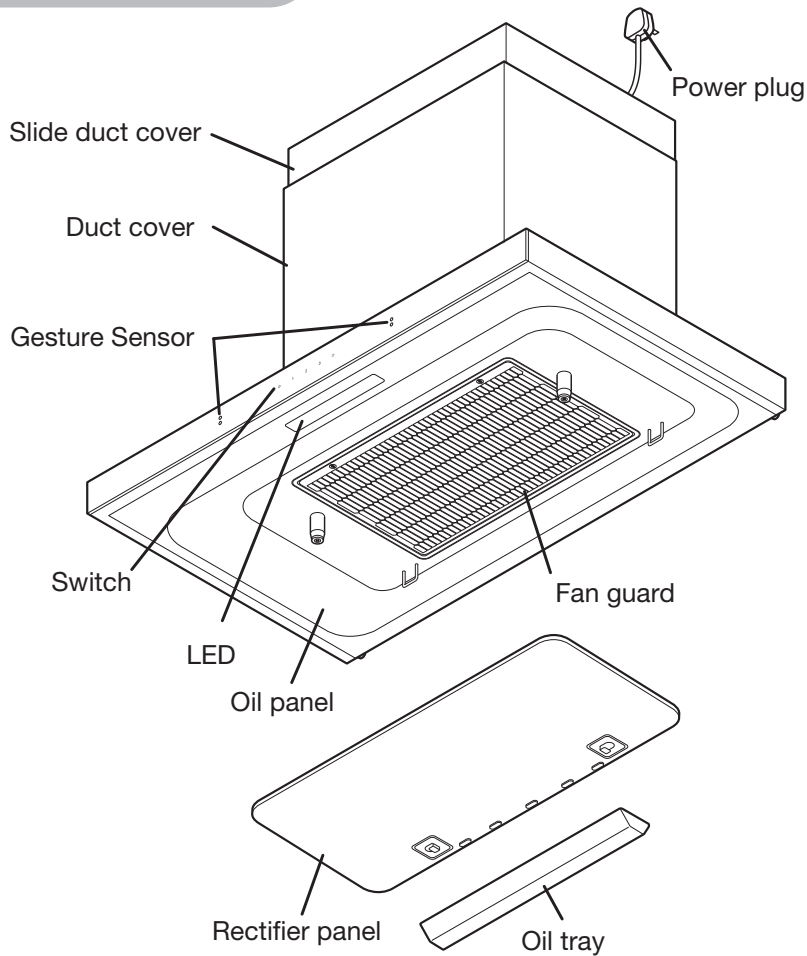
- **Ensure that the exhaust pipe is connected to an outdoor area. To avoid fire hazards and ensure the ventilation of fresh air, waste gas shall be discharged outdoors instead of walls, attics or garages.**

Precautions on use

- **Always turn on the cooker hood while cooking.**
Otherwise, the cooker hood may be damaged or fail to operate due to the increased temperature.
- **Never use a gas hob without any cooking equipment on it.**
Otherwise, the high temperature of the cooker hood body may result in machine failure.
- **Smoke capturing performance may be deteriorated by cross winds when the induction cooker is used. Additionally, dew may form on the surface of the cooker hood when it is used at low temperature.**
When this happens, first wipe off the cooker hood before using it.
- **Prevent direct wind from air conditioners.**
Otherwise, the smoke capturing performance may be reduced by direct wind from an air conditioner.
The cooker hood is easily affected in open areas, especially when the induction cooker is not generating any ascending air current.
- **Ensure that sufficient ventilation is maintained while operating the cooker hood.**
Ensure that there are adequate air intake slots on the wall opposite from the cooker hood, or that the door of the room is kept slightly open.
Otherwise, the smoke capturing performance may be reduced, or there may be abnormal noise, vibration.
- **Ensure that the distance between the water heater and the cooker hood is more than 500mm.**
As the area surrounding the water heater is at higher temperature, the cooker hood shall be at least 500mm away from the water heater.
Never install the cooker hood above the water heater. Otherwise, the cooker hood may become damaged or fail due to the increased temperature.
- **Never use the cooker hood with its rectifier panel removed.**
Otherwise, the smoke capturing performance may be reduced.
- **Inoperable cooker hoods shall be processed to ensure that it cannot be used before it is disposed.**

Preparation

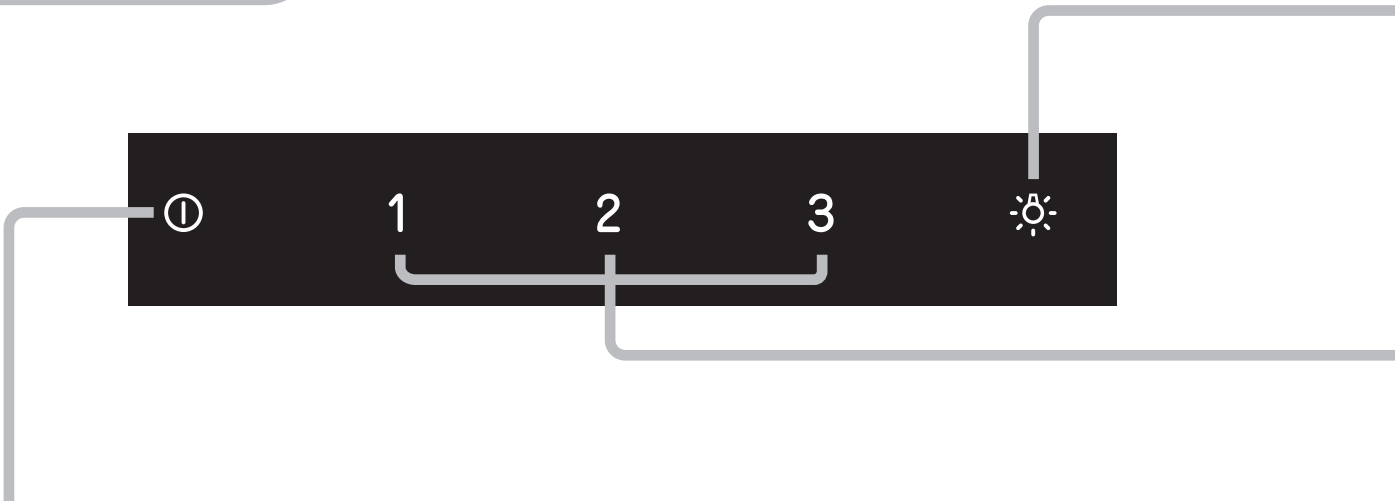
Name of Parts



Packing List

Name	Usage	Quantity
Main unit	—	1
Rectifier panel	—	1
Exhaust pipe (diameter \varnothing 180mm)	—	1
Slide duct cover	—	1
Duct cover	—	1
Mounting bracket	Fixed main unit	1
Plastic expansion pipe	Fixed mounting bracket and duct cover fixing bracket	7
Washer-head wood screw (\varnothing 5.1 \times 60)	Fixed mounting bracket and duct cover fixing bracket	7
Duct cover fixing bracket	Fixed slide duct cover	1
Flat-head screw (M4 \times 8)	Fixed slide duct cover	2
Exhaust port	Connecting the main unit and the exhaust pipe	1
Installation screw (M4 \times 16)	Connecting the main unit and the exhaust port	4
Installation screw (\varnothing 3 \times 8)	Connecting the exhaust port and the exhaust pipe	2
Oil tray	Collect used oil	1

Switch



① Off Switch

Press down this switch to immediately turn off the impeller.

* The lights will still remain ON. Press to turn them off.



■ Switch locking (disable all functions)

● To lock switches

Press for 3s.

---When the unit “beeps” twice, the switch will be locked.

---When the impeller stops, the lights will turn off.

--- and flash alternately.

Press any other switches except in the locking state.

---The unit “beeps” three times. The lights flash at the order of .

---Both the impeller and the lights turn off.

● To unlock switches

Press and hold it for 3s until the unit “beeps” again.

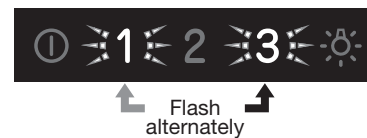
After unlocking, readjusting of the light, operation and airflow switches as required.

* Always ensure that cooking is complete, and that the cooker hood has cooled down completely before locking.

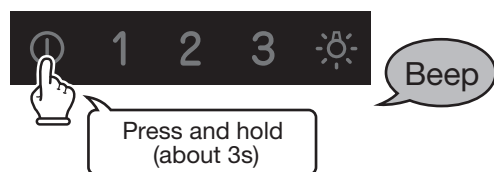
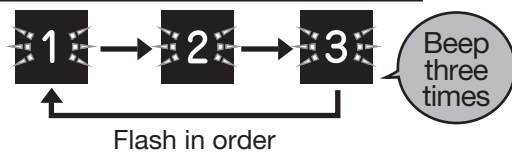
* The locking state is cancelled in case of power outage or tripping.



It shows the state when switch is locked



When the switch is locked, the unit will display its state when any other button except “OFF” is pressed.



Light switch

Press this switch to turn on/off the light.



1 **2** **3** Operation and airflow switches (low, medium, high)

- 1** (Low)..... For low amount of smoke, or quiet operation.
- 2** (Medium).... Normal operation.
- 3** (High) For high amount of smoke, or rapid ventilation.

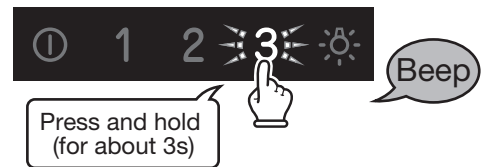


● Entering boost mode

Press and hold the switch **3** (3s) during operation to enter the boost mode.

Automatically return to **3** (high) after operating for 3min.

---Light **3** flashes during boost.



● Exiting boost mode

Press any switch (**1** or **2**) or press and hold switch **3** (for 3s) to exit from boost mode and enter to normal mode.

---Any of the lights **1** **2** **3** flashes.



* Press **1** to exit boost mode operation.

■ Setting 3min timer operation

Press the lit up airflow switch during operation to set the 3min timer operation.

---Light **1** flashes.

Each time when the switch is pressed, the 3min timer operation can be activated and deactivated.

* Light remains ON.

---The 3min timer operation setting is switched to boost mode 5s before the shutdown of the 3min timer operation.

---Lights **1** **3** flash.

* The indicator light flashes until the air volume reaches the set value for the boost mode. The flashing time of the indicator light varies according to different air speeds.

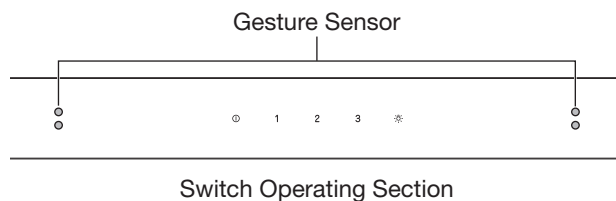


■ Auto Switch Off function to ensure that the operation is stopped

The cooker hood stops operation automatically 5h after the last operation is completed. The lights will also be turned OFF. Press any of the switches **1** **2** **3** to start it again.

Gesture Control

Place your hand above the Gesture Sensor located to the left and right of the operation switch to operate the cooker hood.



Preparation

Operation Method

When the cooker hood is in the stopped state or in any of the low, medium, or high-speed modes, you can operate it using the Gesture Sensor.

■ Boost mode, lighting on

Swipe your palm from left to right over the Gesture Sensor.



Start boost mode, lighting on.

- * Boost operation and lighting operation cannot be separately operated.
- * After 3 minutes of boost operation, switch back to the previous air volume before boost.

Original speed	After 3 minutes
Stop	Medium
Low	Low
Medium	Medium
High	High

■ Operation stopped, lighting off

When the cooker hood is in operation, swipe your palm from right to left over the Gesture Sensor.



All functions of the cooker hood (including lighting) will be turned off.

■ Installation

Preparation and checking before installation

CAUTION

1. Install the cooker hood carefully and avoid any contact with any metal parts (the metal lattice in the wall or the like) of the building.
2. Never embed the body of the cooker hood in the wall. Otherwise, it may result in the electric leakage of the unit.
3. The air shall not be discharged into hot flues that are used for discharging fumes generated from burning gas or other fuels (Not applicable to cooker hoods that can discharge the air back into the room).
4. The distance between the topmost part of cooking appliance and the lowest part of cooker hood, when it is located exactly over the cooking appliance, shall be 650mm to 850mm. If greater distance is specified in the cooking appliance manual, it must be taken into account.
5. Use a gas hob with a width less than that of the cooker hood.
6. Avoid using the cooker hood with changes in specifications, for instance, with modified switches.
7. Never install the cooker hood in a wet area or in other wet rooms since it may result in electric shock or damage.
8. Never install the cooker hood at a place where the ambient temperature exceeds 40°C, otherwise it may result in machine failure.
9. To protect your hands from injury, please wear working gloves when installing the cooker hood.
10. If the power cord is damaged, it shall be replaced by the manufacturer or its service agent or a similarly qualified person to prevent any hazard.

Checking mounting surface strength

The mounting surface should have sufficient strength to support the cooker hood. The cooker hood shall be installed on a location that can support the weight of the cooker hood for an extended period of time (Product weight: 30kg).

■ In the case of boarded wall

- If the thickness is more than 20mm, mount the cooker hood directly to the wall.
- If the thickness is less than 20mm, embed a reinforcing board and mount the cooker hood to this board.

■ In the case of a concrete/tile faced wall

- Use the plastic expansion pipes that come with the unit.

Power plug

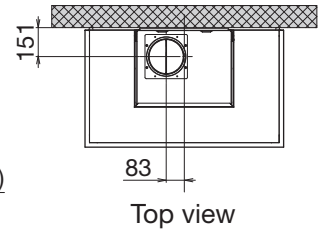
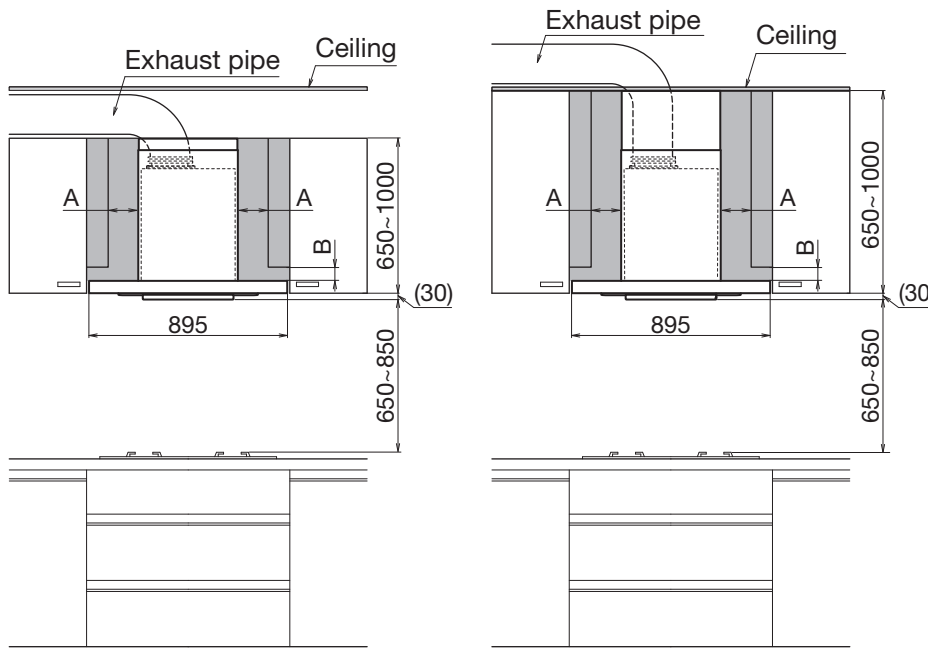
The cooker hood uses a 3-pin power plug.
Be sure to use the wall outlet specified for the cooker hood.

Checking accessory parts

Take out the main unit and accessory parts from the packing box, and check if all accessories described in the packing list are available.

Confirmation of the installation location

(Unit: mm)



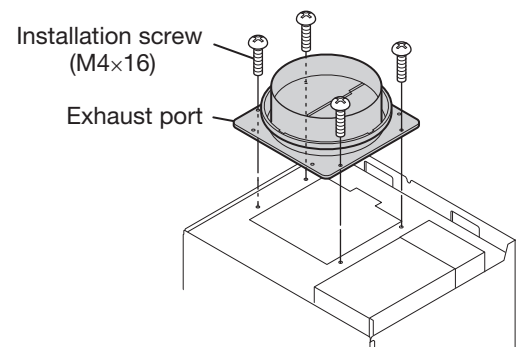
Please set up cabinets outside the shaded area (as shown in the diagram). In the case of installing cabinets in shaded area, minimum allowance of the following dimensions should be reserved, A: 125mm and B: 40mm.

Attaching exhaust port

Align the exhaust port with the screw hole on the top of the cooker hood and secure with 4 installation screws (M4×16) (See figure on the right).

Note

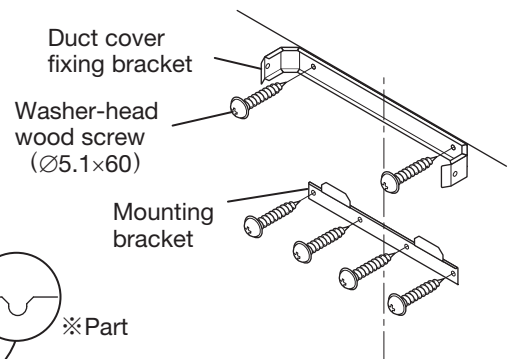
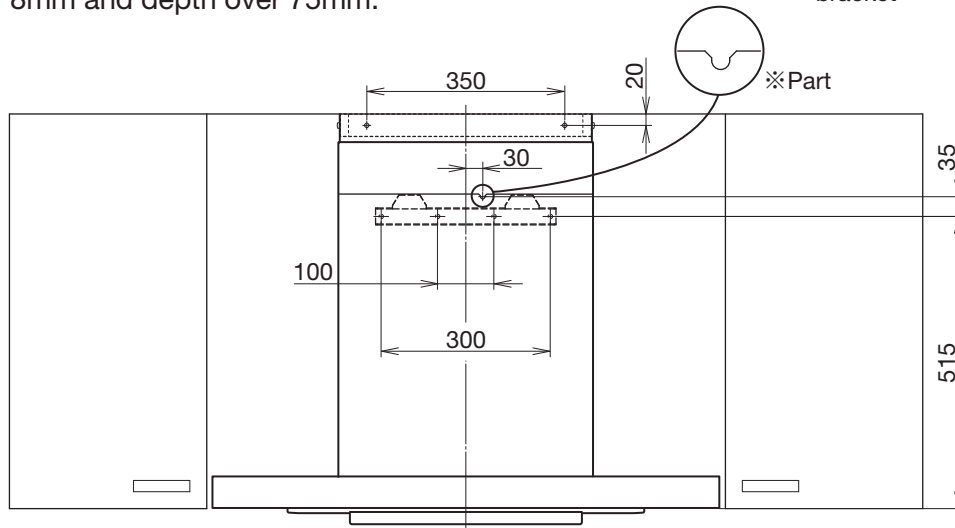
When attaching the exhaust port, pay attention to the shutter opening direction.
If installed incorrectly, it may result in poor discharge or abnormal noise, etc.



Installing the cooker hood

- 1) Secure the mounting bracket and duct cover fixing bracket on the wall with 6 washer-head wood screws ($\text{Ø}5.1 \times 60$) (as shown below).

* When using plastic expansion pipes, use a drill with a $\text{Ø}8\text{mm}$ bit to drill holes in the wall. The holes shall have a diameter of 8mm and depth over 75mm.



- 2) Attach the product to the mounting bracket.

- 3) To prevent the product from disconnecting from the mounting bracket, please secure it with a washer-head wood screw ($\text{Ø}5.1 \times 60$) at the ※ part (referring to the figure above).

* When using plastic expansion pipes, secure the product to the wall using washer-head wood screws as mentioned before.

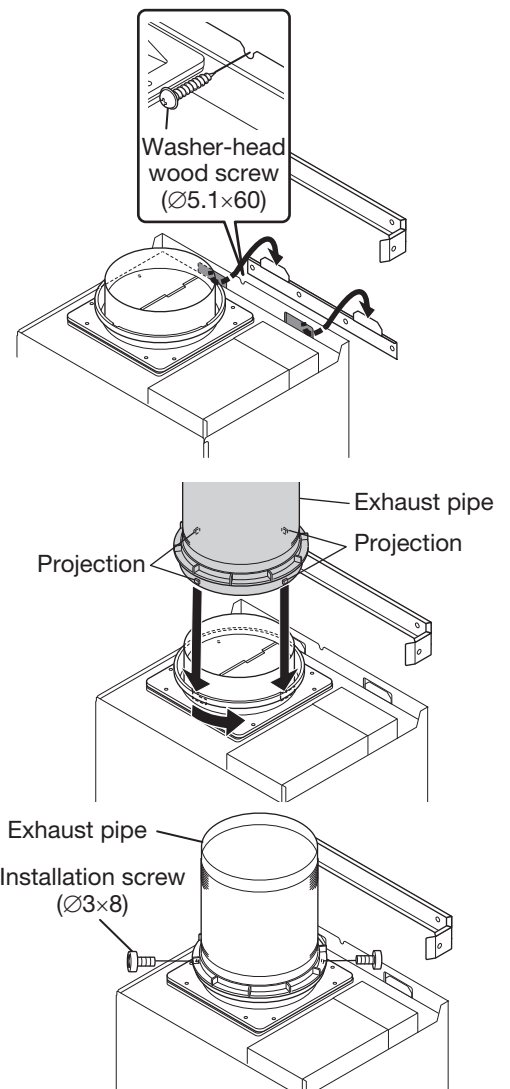
- 4) Align the 4 projections of the exhaust pipe with the projections of the exhaust port. Insert and slightly rotate counterclockwise.

- 5) Secure the exhaust port to the exhaust pipe with 2 ($\text{Ø}3 \times 8$) screws.

- 6) Please make sure that the breaker is switched to the "OFF" position before connecting the power plug to the socket.

Note

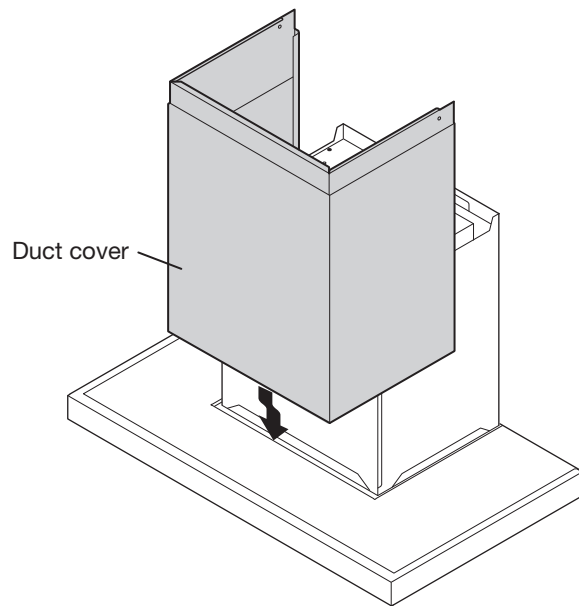
- Please disconnect the breaker on the power distribution panel when inserting the power plug.
- Please shorten the exhaust pipe as far as possible. Ensure that there are no depressions or other kinds of deformation.



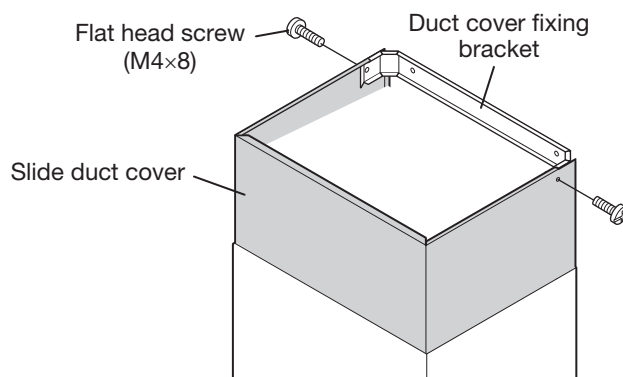
7) Embed the duct cover into the slot on the top of the cooker hood.

* Take care not to damage the product during installing.

* Illustrations may vary depending on the product.

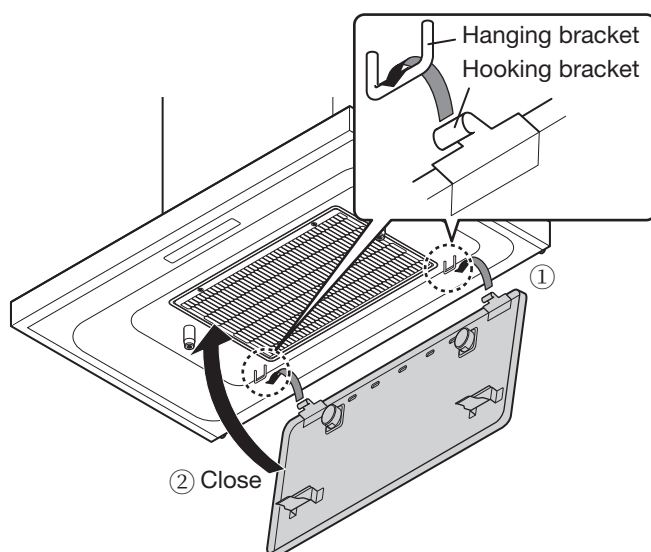


8) Slide the slide duct cover to the upper position, hang onto the duct cover fixing bracket, and secure with 2 flat head screws (M4×8) laterally.



9) Securely hang the left and right hooking bracket at the rear of the rectifier panel on the hanging bracket (①) of the cooker hood.

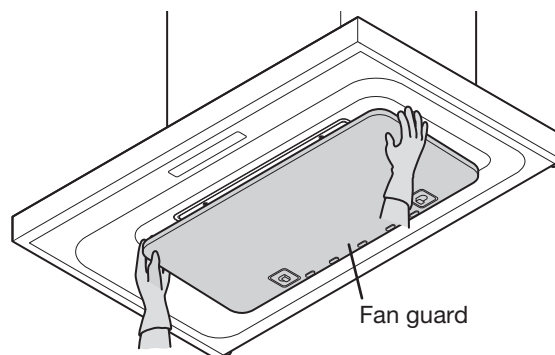
10) Support the rectifier panel with both hands and lift the front end upwards until a “snap” sound is heard and it is secure (②).



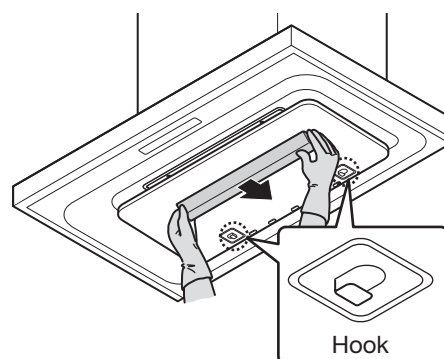
- 11) After installing, pull the rectifier panel up and down to make sure it will not drop.

Note

In order to prevent falling due to insufficient locking, please make sure that the rectifier panel is locked securely.



- 12) Install the oil tray on the rectifier panel.
Align the 2 projections of the oil tray with the installation hooks of the rectifier panel. Insert the projections, slide the tray backward and secure it.



Operation check

Turn off the circuit breaker on the distribution board, and then plug the power plug into the outlet. After turning on the circuit breaker, switch on the hood to check the operation. Refer to page 6 to 8 for instructions on switch operation and operation state confirmation.

- Check if the fan rotates normally at all speeds during operation.
- Check that there are no abnormal noise or vibration.

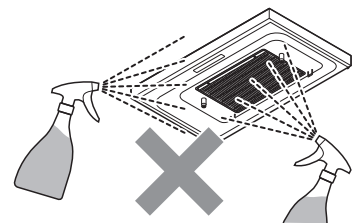
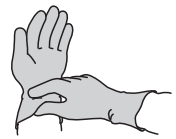
Maintenance

Clean the cooker hood frequently as it will become greasy (especially, clean the fan guard at least once a month. For a family, cooking at least twice a day, clean the fan guard once in every two weeks). If the cooker hood is left unattended for a long time, a large amount of oil will accumulate and become hardened grease, which is difficult to remove.

Always clean the oil tray, external body and the rectifier panel in a timely manner (cleaning frequency: about once a month).

Precautions for maintenance

- Before cleaning the cooker hood, be sure to disconnect the power plug from the socket, or turn off the breaker.
- For safety, always wear a pair of rubber gloves while cleaning the filter and other parts.
- Especially, ensure that no water is splashed on electric parts such as motor, switches, connectors or the like. Do not spray any type of detergent to the electric parts. Otherwise, it may cause machine failure.
- Always remove the rectifier panel before cleaning (as shown in the figure on the right). Otherwise, the rectifier panel may fall during cleaning, leading to personal injury or damage and deformation of parts.
- Do not apply solvents such as thinner, benzene, polishing powder or the like for cleaning painted surfaces, oil panel and others, since it will tarnish or scratch them.
- Do not wash parts with a hard brush or the like for cleaning, otherwise, parts will be damaged.
- The cooker hood may catch fire if it is not cleaned according to the Manual.



Detaching/Attaching of parts to be cleaned

Install all parts using the opposite procedure as that for removing the parts.

Oil Tray

■ Detaching

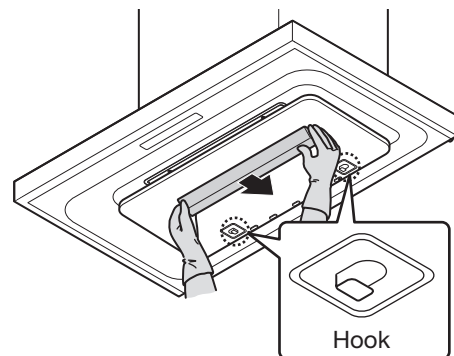
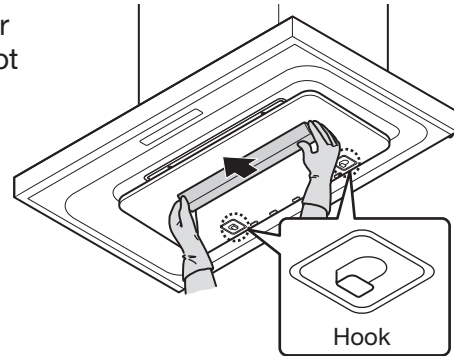
Remove the oil tray by pulling the 2 projections out of the rectifier panel hook. While removing, make sure oil on the oil tray does not overflow or gets spilled.

Note

Oil may not accumulate in the short period of time depending on usage frequency, which is normal.

■ Attaching

Install the oil tray on the rectifier panel. Align the 2 projections of the oil tray to the installation hooks of the rectifier panel. Insert the projections, slide the tray backward and secure it.

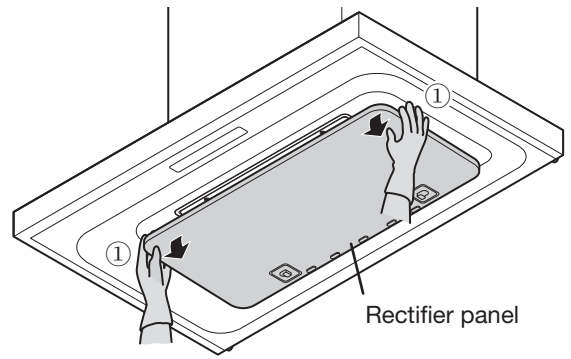


Rectifier Panel

■ Detaching

1) Firmly grasp the front ends of the rectifier panel with both hands, slowly lower the rectifier panel, and then remove it from the magnetic bracket (①).

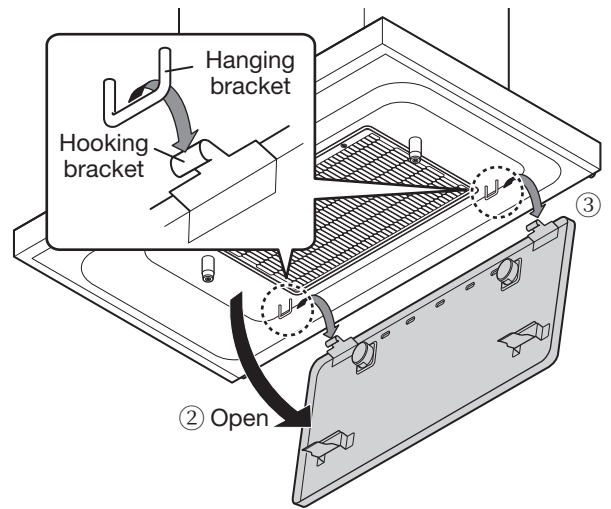
* The rectifier panel is fixed with magnets.



2) Support the rectifier panel with both hands to slowly detach it (②).

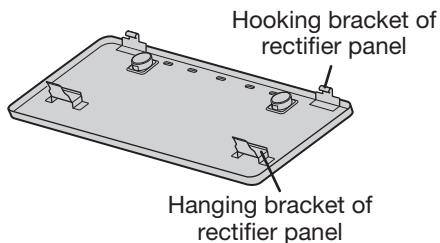
3) Uphold the rear end of the rectifier panel at the position shown in the lower right figure to detach it from the hanging bracket of the cooker hood (③).

* Be sure to detach both points at the same time. Otherwise, the metal parts may deform.



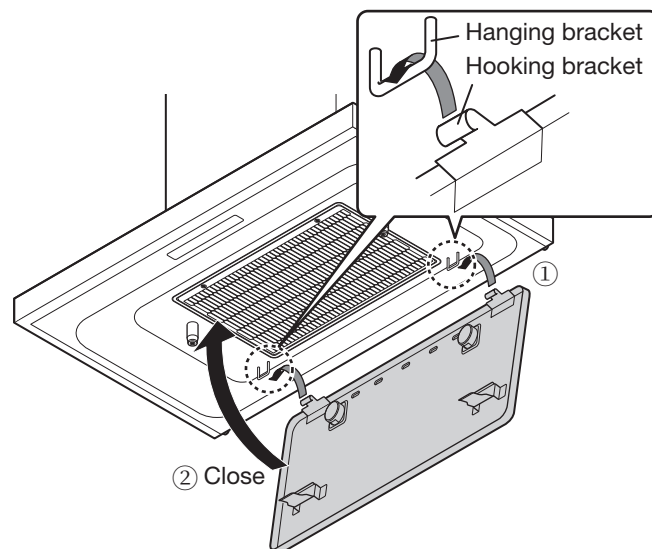
Note

- Oil may have accumulated on the rectifier panel. Take note of any dripping oil.
- When cleaning the rectifier panel, be careful not to deform the hooking brackets and hanging brackets of the rectifier panel. Otherwise, it may be impossible to attach the rectifier panel properly.



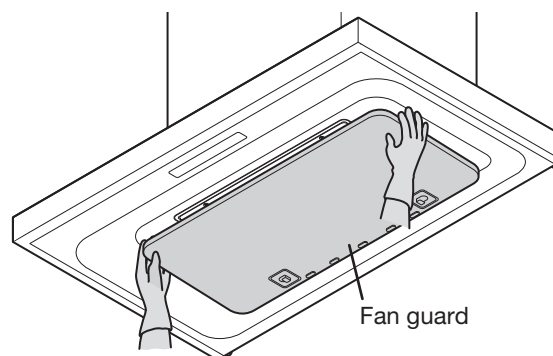
■ Attaching

- 1) Securely hang the left and right hooking brackets at the rear end of the rectifier panel on the cooker hood's hanging bracket (①).
- 2) With both hands firmly holding the rectifier panel, slowly lift the front end of the rectifier panel until it is secured with magnets (②).



Note

To prevent fixtures from detaching due to improper locking, make sure the rectifier panel is securely fixed in place.



Cleaning

Hood body

When cleaning, use a neutral detergent and soft cloth.
Do not use an organic solvent. After cleaning, wipe the hood well with a wet cloth dipped in water to remove any remaining detergent, and finally thoroughly wipe any moisture off using a dry cloth.

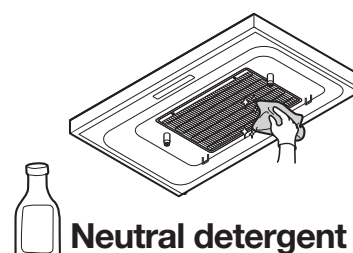
Oil tray/Rectifier panel/Fan guard

When cleaning, use a neutral detergent and soft cloth.
Do not use an organic solvent. After cleaning, wash off with water to remove all remaining detergent, and finally thoroughly wipe any moisture off using a dry cloth.

Note

When cleaning the rectifier panel, perform it on a flat surface to avoid any sorts of deformation.

- If the Gesture Sensor section is not clean, it may not sense operations properly.
- * This item refers to products with Waving-Control Smart Switch.



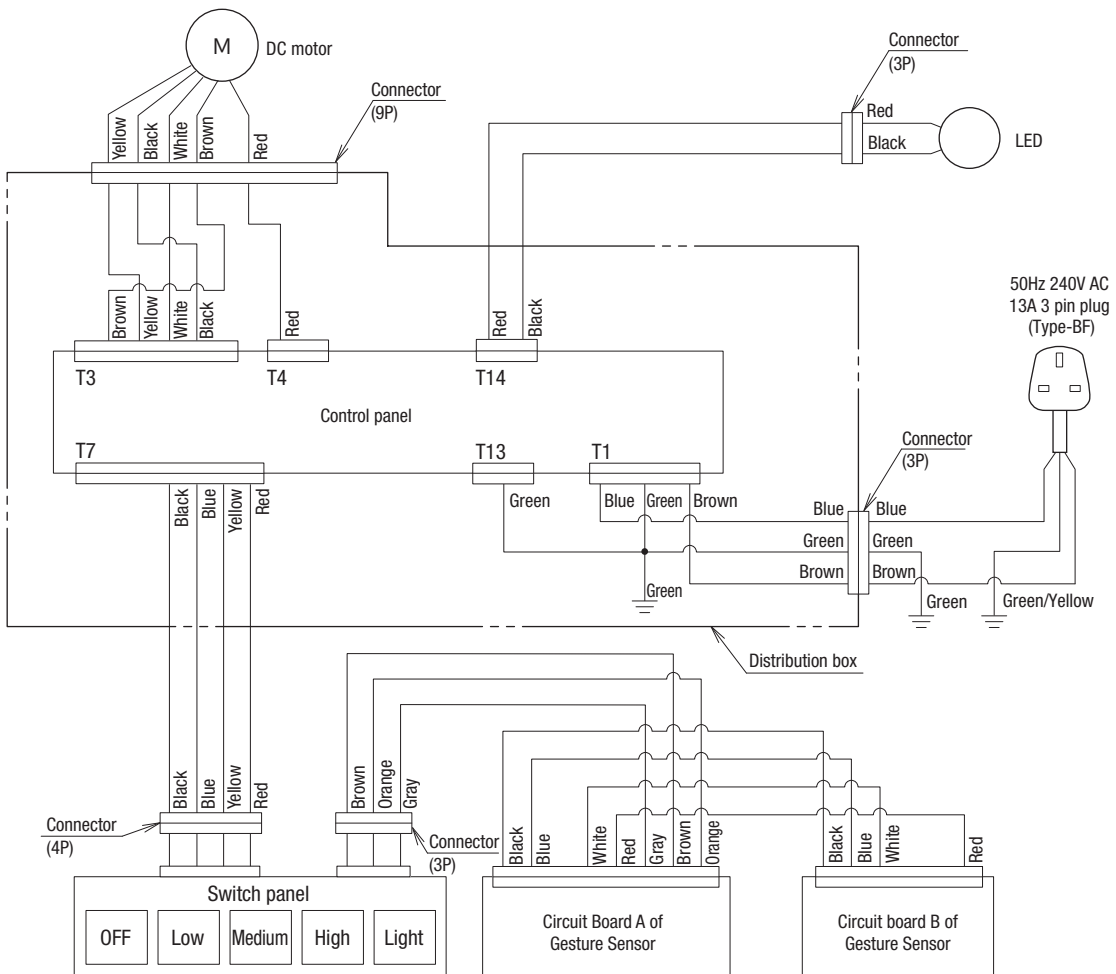
Other Information

Specifications

Rated Voltage (V)	Speed	Frequency (Hz)	Power Consumption (W)	Air Flow (m ³ /h)	Sound (dB)
240	Boost Mode	50	225	1240	56
	Hi		170	1130	53
	Med		90	915	48
	Low		45	705	42

* with 3.5 watts for lamp

Circuit Diagram



Service and warranty

When requesting after-sales service:

- If any abnormality occurs while the cooker hood is in operation, switch the cooker hood off and check the following:
 - (1) Whether the fuse in the breaker has been burnt out?
 - (2) Whether the power plug is not in proper contact with the socket?

If none of the above causes are the problem, disconnect the power plug from the socket and consult the shop from which you have purchased your cooker hood.

When consulting the shop, inform the shop the type/model of cooker hood and the date of purchase.



- The minimum warranty period of performance parts for repairing the cooker hood is 5 years after termination of manufacturing of the cooker hood.

The performance parts refer to those parts for required to maintain the functions of a cooker hood.

However, the warranty period of the same kinds of interchangeable parts can be prolonged to another 4 years.

Under the premise of not affecting the normal use, we are willing to repair these parts according to your instructions.

- *The parts used on the cooker hood are subject to change without prior notice owing to improvement of performance.*

Global website
<https://global.fujioh.com>

FUJIOH INTERNATIONAL TRADING PTE. LTD.
Southeast Asia Regional Headquarters

3014A Ubi Road 1 #06-04, Singapore 408703
Tel : (65) 6286 3286 Fax : (65) 6285 3285
E-mail : fit@fujioh.com.sg

FUJIOH MARKETING MALAYSIA SDN. BHD.

23, Jalan Serendah 26/39, Section 26, 40400
Shah Alam, Selangor, Malaysia
Tel : (60) 35103 6826
E-mail : enquiry@fujioh.my