

-FUJIOH-



# JAPANESE PRECISION CULINARY PERFECTION

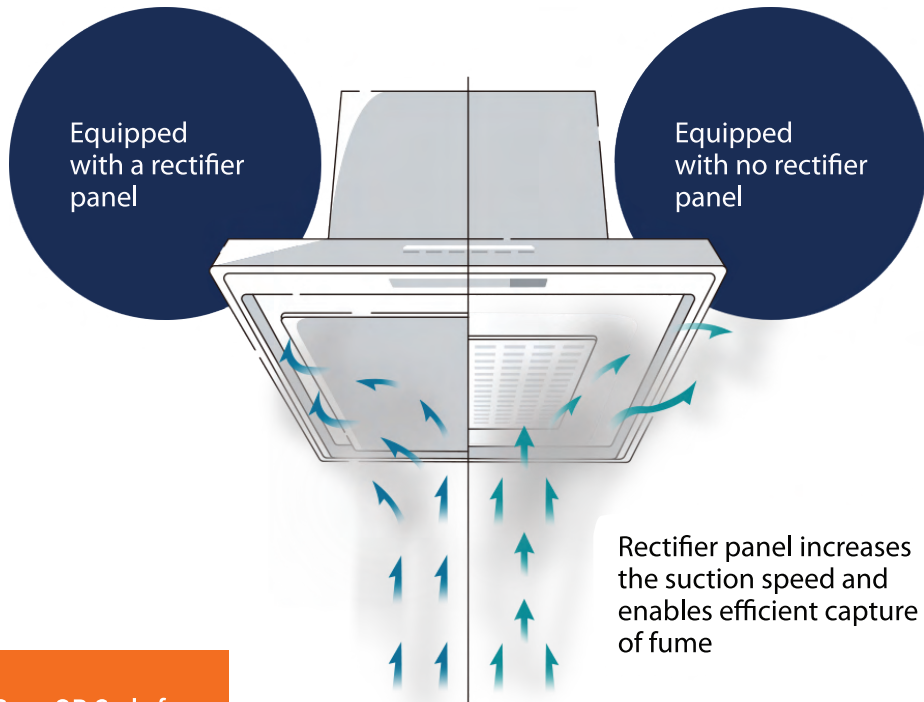
PRODUCT CATALOGUE 2025 VOL 1



[www.fujioh.com/my](http://www.fujioh.com/my)

## FUJIOH TECHNOLOGY / RECTIFIER PANEL

FUJIOH cooker hood includes a specially designed rectifier panel. Engineered to reduce the air inlet opening, the rectifier panel allows adjustable suction from bottom to improve suction power from the upper, left and right side. The increased suction speed thus improves the efficiency of the fume capturing capacity.



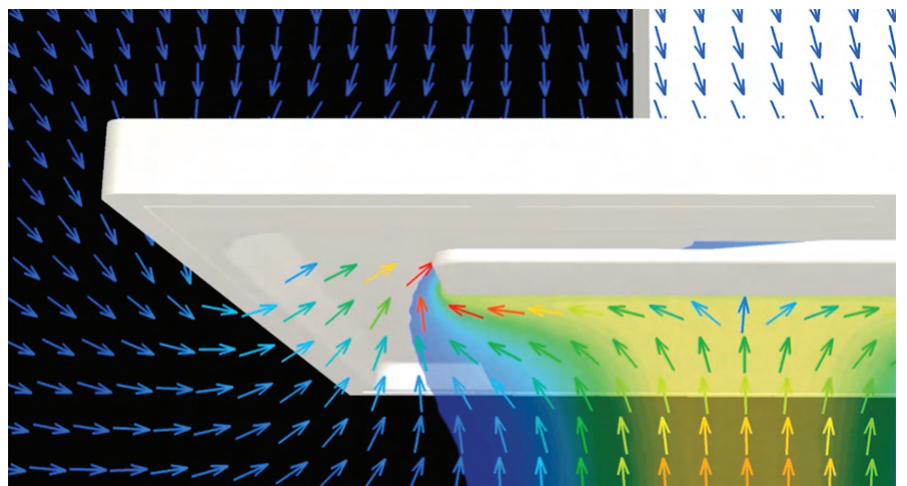
Scan QR Code for  
more information

## Smoke Capture Tests and Advanced Design for Optimal Performance and Quality

FUJIOH conducts comprehensive smoke capturing tests on all models to ensure optimal suction performance.

Furthermore, we meticulously determine the ideal shape and positioning of rectifier panels through flow path analysis, whenever required.

This meticulous approach guarantees the maintenance of high-quality standards throughout our product line.



Detailed examination through flow path analysis

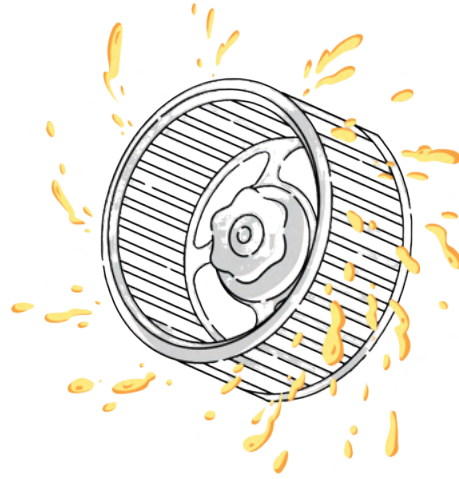
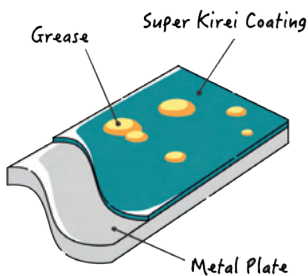
\* FUJIOH Technologies are applied to selected products only.

# FUJIOH TECHNOLOGY / FUNCTIONAL COATING

## SUPER KIREI COATING



- SUPER KIREI COATING repels oil instantly, reducing adhesion on the fan surface.
- It uses centrifugal force to separate and collect oil on a tray.
- This dual-action approach extends the fan's lifespan and keeps it looking pristine.

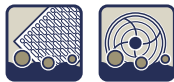


## OIL REPELLENT COATING

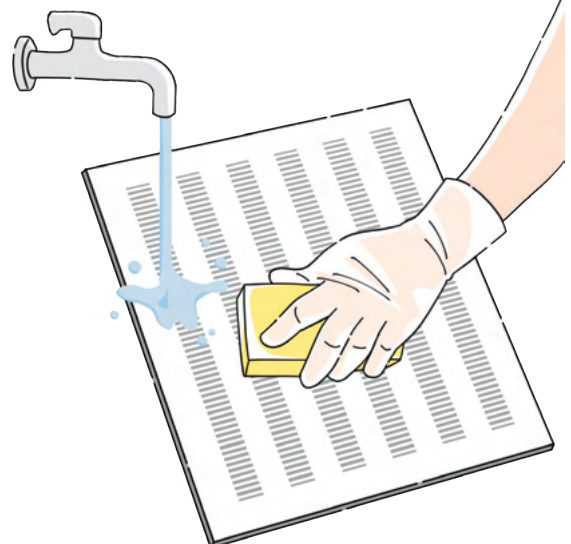
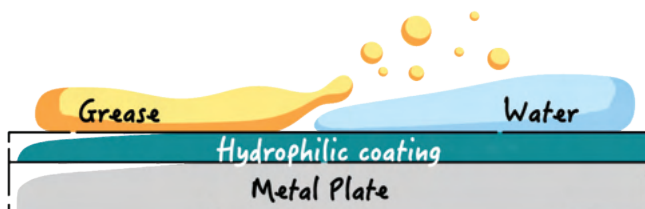


- OIL REPELLENT COATING effectively repels oil stains from sticking to the surface.
- It allows for easy removal of oil with a damp cloth.
- Saves time and effort in maintaining a clean hood after use.

## HYDROPHILIC COATING



- HYDROPHILIC COATING works well with water, making it easy to remove oil when washed.
- Simplifies maintenance of greasy filters.
- Reduces the difficulty and effort in cleaning.



\*FUJIOH Technologies are applied to selected products only.

# -FUJIOH-

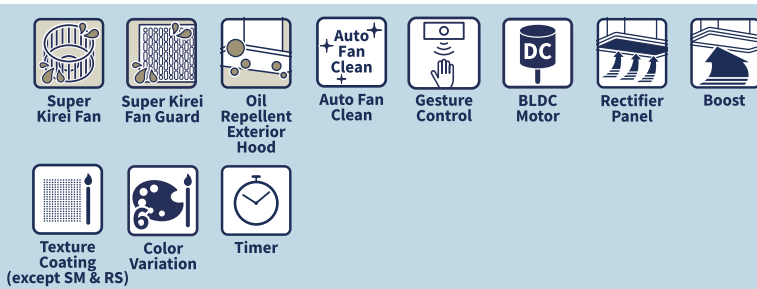
## HOOD /

### FR-FD2490 VP

選べるカラーで、  
想いのままのキッチンに。

#### Vibrant colors, endless kitchen inspiration.

Enjoy colorful culinary experience with FUJIOH FR-FD2490. Available in six vibrant color variation, this model adds a splash of personality to complement any kitchen design and aesthetic. Enjoy powerful smoke capturing performance that ensures a refreshed environment, without compromising on energy efficiency. Upgrade your kitchen with the cooker hood, where vibrant colors and efficient performance come together seamlessly.



## SPECIFICATIONS

Type	Ventilating
Hood Body	SPCC with Oil Repellent Coating
Filter	Super Kirei Fan Guard
Motor	BLDC Motor
Speed	3 Speeds & Boost Mode
Timer	3 mins
Oil Capturing Ratio [%]	86
Sound Level at 240V [dB]	42 - 56
Dimensions [mm]	W895 x D530 x H650 - 1000
Duct Diameter [mm]	Φ180
RCP	WM RM7,998   EM RM8,198

\* 4 years general warranty for motor and part

Vibrant Series

XW / Texture White

MADE IN JAPAN  
日本製



SM / Silver Metallic



RS / Rich Silver



XBK / Texture Black



TRE / Texture Red



TBE / Texture Blue

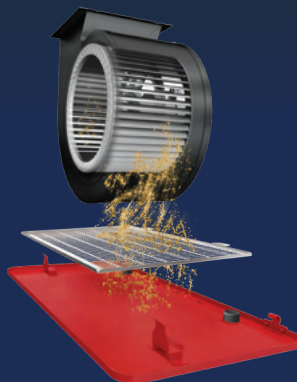


ADVANCED FUNCTIONS



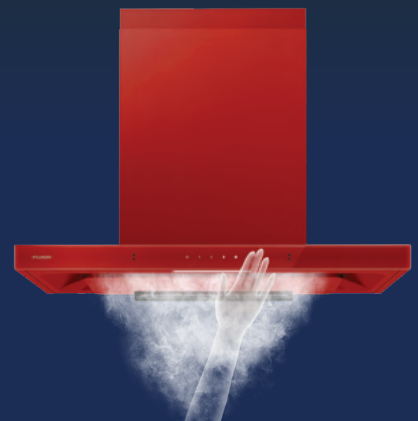
**BLDC Motor**

Enhances powerful, stable suction with lower power consumption.



**Super Kirei Fan & Fan Guard**

Repels oil instantly upon contact, keeping the fan cleaner for a longer period.



**Touch-free Quick Start**

Quick start operation without the need to touch a switch.

# -FUJIOH-

## HOOD /

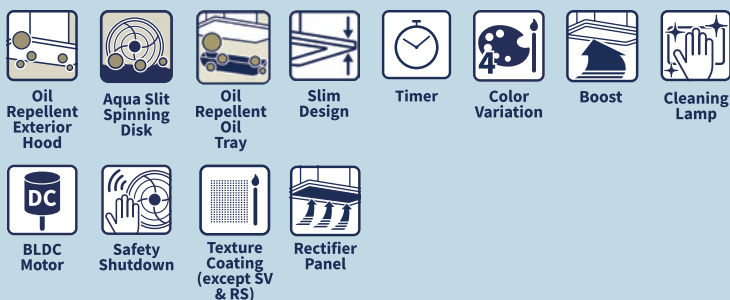
### FR-CL1890 V/R

オイルスマッシャーで、  
油に強いキッチンへ。

#### Your solution for an oil-free kitchen

Cooking with oil means delicious meals for your family but an oily kitchen as well. Unless you have a cooker hood with Oil Smasher.

This state-of-the-art, super-sleek hood features patented Oil Smasher technology. An internal high-speed spinning disk captures the oil to stop build-up on your kitchen surfaces. The innovative cleaning reminder alarm lets you know when it's time to clean the disk. Simply remove, wash easily and replace as new. Your kitchen has never felt so clean.



## SPECIFICATIONS

Type	Ventilating / Recycling
Hood Body	SPCC with Oil Repellent Coating
Filter	Aqua Slit Spinning Disk
Motor	BLDC Motor
Speed	3 Speeds & Boost Mode with 24-hr Operation Mode
Timer	3/15/30 min & Cleaning Lamp Function
Oil Capturing Ratio [%]	Ventilating : 91 Recycling : 94
Sound Level at 240V [dB]	Ventilating : 32 - 54 Recycling : 40 - 57
Dimensions [mm]	Ventilating : W900 x D600 x H550 - 960 Recycling : W900 x D600 x H750 - 800
Duct Diameter [mm]	Φ150
RCP	WM RM8,498 EM RM8,698

\* 4 years general warranty for motor and parts.



GOOD DESIGN  
AWARD 2017



Scan QR Code to  
watch the product  
video.



RS / Rich Silver

MADE IN  
**JAPAN**  
日本製



XW / Texture White

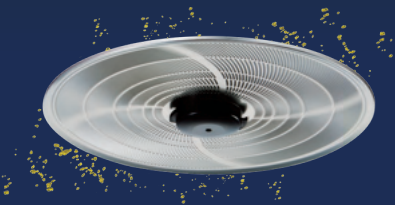


SV / Silver Metallic



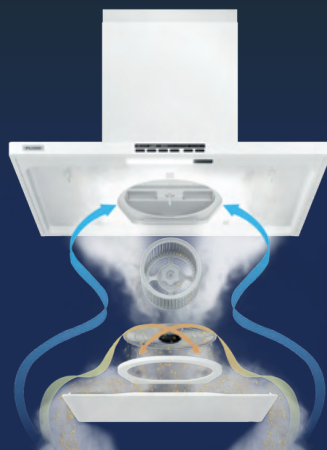
XBK / Texture Black

## ADVANCED FUNCTIONS



### Aqua Slit Spinning Disk

Oil capturing ratio up to 94%.



### Oil Smasher Technology

High-speed spinning disk prevents oil from reaching fan & motor.



### Oil Repellent Exterior

Easy wiping and cleaning of exterior surface.

# -FUJIOH-

## HOOD /

### FR-SC2090 V/R

中も外も、  
キレイがつづく。

#### Immaculate outside in

A fusion cooker hood of an ergonomic inclined design and easy cleaning feature bringing cleanliness to a revolutionized preeminent level. Your cooker hood has never been cleaner than before, both outside in.



Super Kirei Fan



Aqua Slit Filter



Oil Repellent Exterior Hood



Rectifier Panel



Color Variation



Texture Coating (except SM & RS)

## SPECIFICATIONS

Type	Ventilating / Recycling
Hood Body	SPCC with Oil Repellent Coating
Filter	Aqua Slit Filter with Hydrophilic Coating
Motor	AC Motor
Speed	3 Speeds
Timer	3 mins
Oil Capturing Ratio [%]	Ventilating : 85 Recycling : 92
Sound Level at 240V [dB]	Ventilating : 47 - 56 Recycling : 48 - 52
Dimensions [mm]	Ventilating : W900 × D544 × H1045 - 1345 Recycling : W900 × D544 × H490
Duct Diameter [mm]	Φ150
FR-SC2090 R (With RUT90 Recycle Panel)	
RCP	WM RM6,198 EM RM6,398
FR-SC2090 V (Without GFO Duct Cover)	
RCP	WM RM5,698 EM RM5,898
FR-SC2090 V (With GFO Duct Cover)	
RCP	WM RM6,198 EM RM6,398
FR-SC2011 V (With GFO Duct Cover)	
RCP	WM RM8,298 EM RM8,498



Scan QR Code to  
watch the product  
video.

\* 4 years general warranty for motor and parts.





RS / Rich Silver

MADE IN  
**JAPAN**  
日本製



XW / Texture White

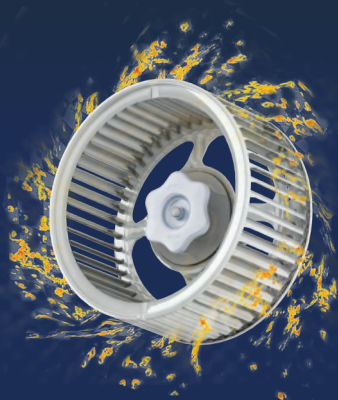


XBK / Texture Black



SM / Silver Metallic

## ADVANCED FUNCTIONS



### Super Kirei Fan

Eliminate the accumulation of oil and stain build-up on the fan.



### Advance Oil Capturing

Up to 92% oil capturing ratio through advanced oil separation process.



### Aqua Slit Filter

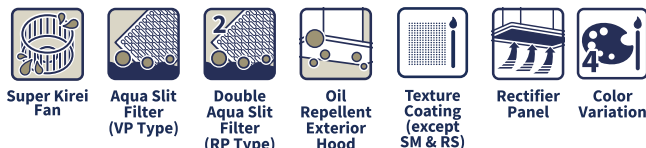
Filter with Hydrophilic Coating can be washed easily by using only water.

# -FUJIOH-

## HOOD /

# FR-FS2290 VP/RP

シンプルさの中に、  
少しの個性を。

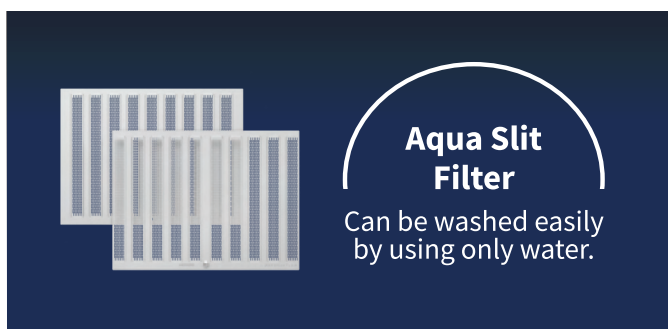


**XW / Texture White**

**SM / Silver Metallic**

**RS / Rich Silver**

## ADVANCED FUNCTIONS



## SPECIFICATIONS

Type	Ventilating / Recycling
Hood Body	SPCC with Oil Repellent Coating
Filter	Aqua Slit Filter with Hydrophilic Coating
Motor	AC Motor
Speed	3 Speeds
Timer	-
Oil Capturing Ratio [%]	Ventilating : 88 Recycling : 92
Sound Level at 240V [dB]	Ventilating : 41 - 52 Recycling : 47 - 53
Dimensions [mm]	W890 x D550 x H150
Duct Diameter [mm]	Φ150
RCP	WM RM3,798   EM RM3,998

\* 4 years general warranty for motor and parts.

# -FUJIOH-

## HOOD /

### FR-MS2390 V/R



機能性と、  
美しさの共存。



Aqua Slit Filter



Gesture Control



Color Variation



Rectifier Panel



Timer



SUS 304  
SUS304 Body (SS Model)



BK / Black



Scan QR Code to watch the product video.



W / White



SS / Stainless Steel

## ADVANCED FUNCTIONS

**Aqua Slit Filter**

Filter with Hydrophilic Coating can be washed easily by using only water.

**Gesture Control**

Allow operation without touching with wet hands.

## SPECIFICATIONS

Type	Ventilating / Recycling
Hood Body	SPCC with Coated Paint / Stainless Steel (SUS304)
Filter	Aqua Slit Filter with Hydrophilic Coating
Motor	AC Motor
Speed	3 Speeds
Timer	3 mins
Oil Capturing Ratio [%]	Ventilating : 86 Recycling : 89
Sound Level at 240V [dB]	Ventilating : 47 - 59 Recycling : 40 - 56
Dimensions [mm]	W900 x D460 x H120
Duct Diameter [mm]	Φ150
RCP	WM RM1,698 EM RM1,898

\* 4 years general warranty for motor and parts.

# -FUJIOH-

## HOOD /

### FR-LW2490 V

ワイドにカバーする、  
スリムなフード。



Scan QR Code to watch the product video.

## ADVANCED FUNCTIONS



## SPECIFICATIONS

Type	Ventilating
Hood Body	SPCC with Coated Paint
Filter	-
Motor	BLDC Motor
Speed	3 Speeds & Boost Mode
Timer	3 mins
Static Pressure [pa]	900
Oil Capturing Ratio [%]	86
Sound Level at 240V [dB]	41-52
Dimensions [mm]	W895 x D350 X H1133 - 1363
Duct Diameter [mm]	Φ180
RCP	WM RM4,098    EM RM4,298

\* 4 years general warranty for motor and parts.

# -FUJIOH-

## HOOD /

### FR-SD2290 V



魅せるデザインに、  
充実の機能を。

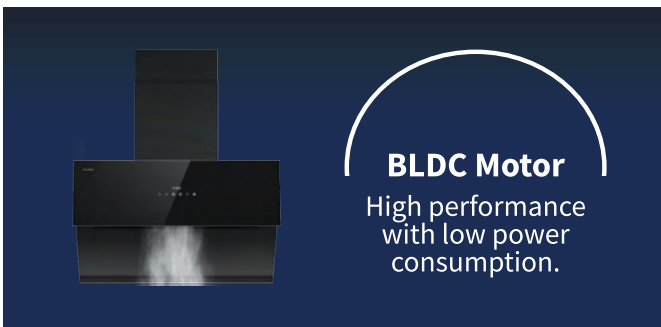


FLBK / Full Black



Scan QR Code to  
watch the product  
video.

## ADVANCED FUNCTIONS



## SPECIFICATIONS

Type	Ventilating
Hood Body	Stainless Steel with Coated Paint
Filter	Fan Guard
Motor	BLDC Motor
Speed	3 Speeds & Boost Mode
Timer	3 mins
Oil Capturing Ratio [%]	82
Sound Level at 240V [dB]	41 - 54
Dimensions [mm]	W895 x D362 x H985 - 1185
Duct Diameter [mm]	Φ170
RCP	WM RM3,398 EM RM3,598

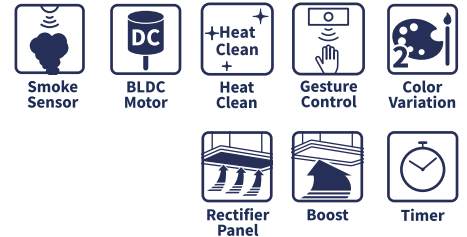
\* 4 years general warranty for motor and parts.

# -FUJIOH-

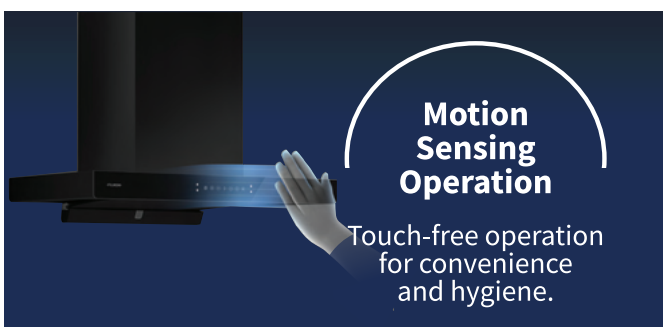
## HOOD /

### FR-LT2490 V

高い性能を、  
タッチレスで実現。



#### ADVANCED FUNCTIONS



#### SPECIFICATIONS

Type	Ventilating
Hood Body	SPCC with Coated Paint
Filter	Fan Guard
Motor	BLDC Motor
Speed	3 Speeds & Boost Mode
Timer	3 mins
Oil Capturing Ratio [%]	86
Sound Level at 240V [dB]	41 - 52
Dimensions [mm]	W896 x D494 x H620 - 900
Duct Diameter [mm]	Φ190
RCP	WM RM3,498 EM RM3,698

\* 4 years general warranty for motor and parts.

# -FUJIOH-

## HOOD /

# FR-MT1990 V



Cooker Hood

楽しい料理の、  
強い味方。



Aqua Slit  
Filter



Rectifier  
Panel



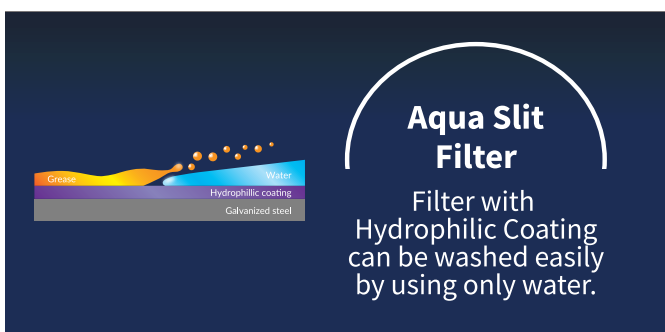
Timer



SUS  
304  
Body



## ADVANCED FUNCTIONS



## SPECIFICATIONS

Type	Ventilating
Hood Body	Stainless Steel (SUS304)
Filter	Aqua Slit Filter with Hydrophilic Coating
Motor	AC Motor
Speed	3 Speeds
Timer	3/6/9 mins
Oil Capturing Ratio [%]	84
Sound Level at 240V [dB]	35 - 52
Dimensions [mm]	W900 x D505 x H600 - 1030
Duct Diameter [mm]	Φ150
RCP	WM RM2,898 EM RM3,098

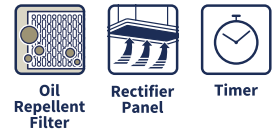
\* 4 years general warranty for motor and parts.

# -FUJIOH-

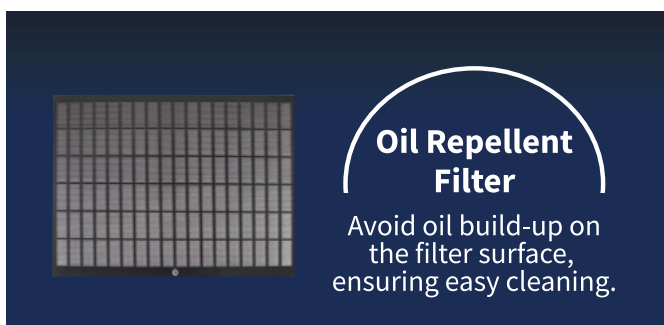
## HOOD /

### FR-HT2190 V

シンプルで、  
エレガント。



#### ADVANCED FUNCTIONS



#### SPECIFICATIONS

Type	Ventilating
Hood Body	SPCC with Coated Paint
Filter	Oil Repellent Filter
Motor	AC Motor
Speed	3 Speeds
Timer	9 mins
Oil Capturing Ratio [%]	88
Sound Level at 240V [dB]	48 - 59
Dimensions [mm]	W895 x D505 x H590 - 1030
Duct Diameter [mm]	Φ150
RCP	WM RM2,598   EM RM2,798

\* 4 years general warranty for motor and parts.



# -FUJIOH-

## GAS HOB /

### FH-GS70

ふたつの炎、  
ダブルの幸せ。



Sectional  
Flame  
Control



Toughened  
Glass



Heat  
Deflector



Double  
Inner  
Flame



Instant  
Ignition



Flame  
Failure  
Safety  
Device



Aluminium  
Alloy  
Venturi



Flexible  
Installation



Triple Ring  
Burner



Gas Hob



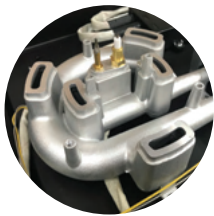
Scan QR Code to  
watch the product  
video.

## ADVANCED FUNCTIONS



### 01 / Double Inner Flame

Improved heat distribution  
ensures evenness.



### 02 / Aluminium Alloy Venturi

Rust-resistant aluminium alloy.



### 03 / Heat Deflector

Minimize thermal heat on  
plate and knobs.

## SPECIFICATIONS

### FH-GS7020 SVGL



Surface Type  
Black Glass (Toughened Glass)

Power Load [kW]  
(L) 4.5 (R) 5.0

Dimensions [mm]  
W780 x D460 x H171

Cut-Out Dimensions [mm]  
W650 - 720 x D350 - 410 x H85

RCP  
WM RM2,098 EM RM2,298

### FH-GS7030 SVGL



Surface Type  
Black Glass (Toughened Glass)

Power Load [kW]  
(L) 4.5 (R) 5.0 (C) 1.1

Dimensions [mm]  
W880 x D520 x H171

Cut-Out Dimensions [mm]  
W700 - 800 x D400 - 430 x H85

RCP  
WM RM2,598 EM RM2,798

\* 2 years general warranty.

# -FUJIOH-

## GAS HOB /

### FH-GS65

本格派の調理に。



Mini Pan Support (GS6520)



Instant Ignition



Flexible Installation



Triple Ring Burner



Flame Failure Safety Device



Aluminium Alloy Venturi



Sectional Flame Control



Toughened Glass (SVGL)



Heat Deflector



Matt Enamelled Pan Support



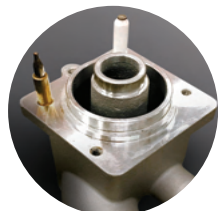
Brass Burner Cap



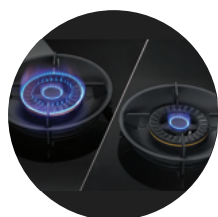
## ADVANCED FUNCTIONS



**01 / Heat Deflector**  
Minimize thermal heat on plate and knobs.



**02 / Aluminium Alloy Venturi**  
Rust-resistant aluminium alloy.



**03 / Sectional Flame Control**  
Ideal heat control with single or double flame rings.

## SPECIFICATIONS

### FH-GS6520 SVGL / SVSS



**Surface Type**  
Black Glass (Toughened Glass) / Stainless Steel (SUS304)

**Power Load [kW]**  
(L) 5.0 (R) 5.0

**Dimensions [mm]**  
W780 x D460 x H155

**Cut-Out Dimensions [mm]**  
W650 - 730 x D350 - 410 x H85

RCP  
WM RM1,798 EM RM1,998

### FH-GS6530 SVGL / SVSS



**Surface Type**  
Black Glass (Toughened Glass) / Stainless Steel (SUS304)

**Power Load [kW]**  
(L) 5.0 (R) 5.0 (C) 1.1

**Dimensions [mm]**  
W880 x D520 x H155

**Cut-Out Dimensions [mm]**  
W690 - 830 x D390 - 470 x H85

RCP  
WM RM2,098 EM RM2,298

\* 2 years general warranty.

# -FUJIOH-

## GAS HOB /

### FH-GS30

火力調整を、  
滑らかに自在に。



Gas Hob



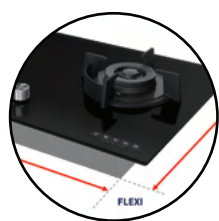
Scan QR Code to  
watch the product  
video.

FLAME CONTROL:



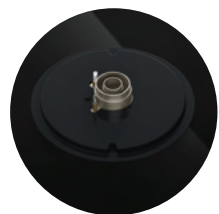
## ADVANCED FUNCTIONS

## SPECIFICATIONS



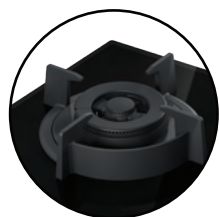
### 01 / Flexible Size

Adaptable cut-out for seamless integration.



### 02 / Removable Burner

Simplify cleaning and make maintenance easier.



### 03 / Knob Shields

Minimize thermal heat on plate and knobs.

### FH-GS3020 SVGL



Surface Type  
Black Glass (Toughened Glass)

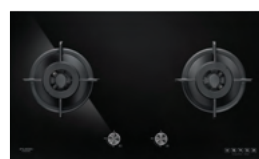
Power Load [kW]  
(L) 5.0 (R) 5.0

Dimensions [mm]  
W780 x D460 x H160

Cut-Out Dimensions [mm]  
W650 - 730 x D350 - 410 x H82

RCP  
WM RM1,598 EM RM1,798

### FH-GS3028 SVGL



Surface Type  
Black Glass (Toughened Glass)

Power Load [kW]  
(L) 5.0 (R) 5.0

Dimensions [mm]  
W880 x D520 x H160

Cut-Out Dimensions [mm]  
W690 - 830 x D390 - 470 x H82

RCP  
WM RM1,698 EM RM1,898

### FH-GS3030 SVGL



Surface Type  
Black Glass (Toughened Glass)

Power Load [kW]  
(L) 5.0 (R) 5.0 (C) 2.0

Dimensions [mm]  
W880 x D520 x H160

Cut-Out Dimensions [mm]  
W690 - 830 x D390 - 470 x H82

RCP  
WM RM1,898 EM RM2,098

\*2 years general warranty.

# -FUJIOH-

## GAS HOB /

### FH-GS20

あなたの料理を支える、  
洗練されたパートナー。



Flame  
Failure  
Safety  
Device



Aluminium  
Alloy  
Venturi



Toughened  
Glass



Instant  
Ignition



Flexible  
Installation



## ADVANCED FUNCTIONS



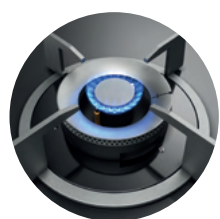
### 01 / Flame Failure Safety Device

Automatically shuts off gas when flame extinguishes for safety.



### 02 / Aluminium Alloy Venturi

Rust-resistant aluminium alloy.



### 03 / Flame Control

Control desired flame with both rings for different cuisines.

## SPECIFICATIONS

### FH-GS2020 SVGL



Surface Type  
Black Glass (Toughened Glass)

Power Load [kW]  
(L) 5.0 (R) 5.0

Dimensions [mm]  
W730 x D420 x H153

Cut-Out Dimensions [mm]  
W650 - 655 x D350 - 355 x H85

RCP  
WM RM1,098 EM RM1,298

### FH-GS2030 SVGL



Surface Type  
Black Glass (Toughened Glass)

Power Load [kW]  
(L) 5.0 (R) 5.0 (C) 1.0

Dimensions [mm]  
W790 x D450 x H153

Cut-Out Dimensions [mm]  
W685 - 690 x D405 - 410 x H85

RCP  
WM RM1,398 EM RM1,598

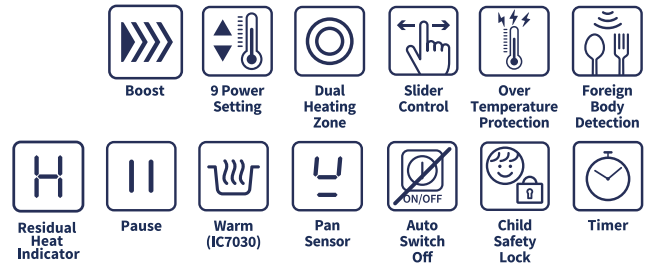
\* 2 years general warranty.

# -FUJIOH-

## ELECTRIC HOB /

### FH-IC70

色とりどりの料理を、  
パワフルな加熱で。



Electric Hob

## ADVANCED FUNCTIONS



### 01 / SCHOTT CERAN® Ceramic Glass

Sleek and durable glass surface.



### 02 / 2-in-1 Hybrid Hob

Blend induction speed and ceramic versatility in one.



### 03 / Dual Heating Zone

Flexible ceramic hob with adjustable heating zones.

## SPECIFICATIONS

### FH-IC7020



**Type**  
Induction x 1 / Dual Zone Ceramic x 1

**Rated Power Consumption [w]**  
(L) 2300 + (R) 2200  
Total = max 4500

**Surface Type**  
SCHOTT CERAN® Ceramic Glass

**Zone Size [mm]**  
(L) 200 / (R) 138 - 230

**Timer [min]** 99

**Ampere required [A] (Based on 240V)**  
20

**Dimensions [mm]** W730 x D430 x H64

**Cut-Out Dimensions [mm]**  
W680 x D380

RCP WM RM2,198 EM RM2,398

### FH-IC7030



**Type**  
Induction x 2 / Dual Zone Ceramic x 1

**Rated Power Consumption [w]**  
(L) 2300 + (C) 2000 = max 3500  
(R) 2000  
Total = max 5500

**Surface Type**  
SCHOTT CERAN® Ceramic Glass

**Zone Size [mm]**  
(L) 180 / (C) 180 / (R) 120 - 200

**Timer [min]** 99

**Ampere required [A] (Based on 240V)**  
25

**Dimensions [mm]** W730 x D430 x H76

**Cut-Out Dimensions [mm]**  
W695 x D410

RCP WM RM2,498 EM RM2,698

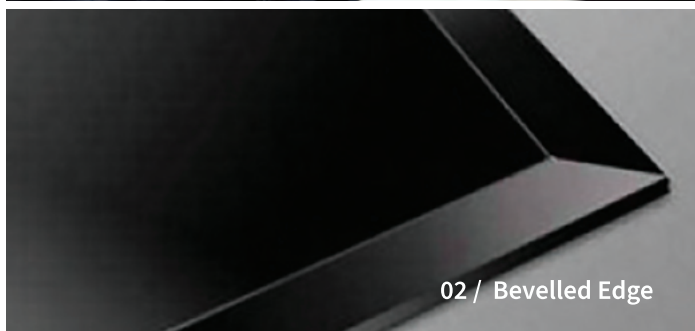
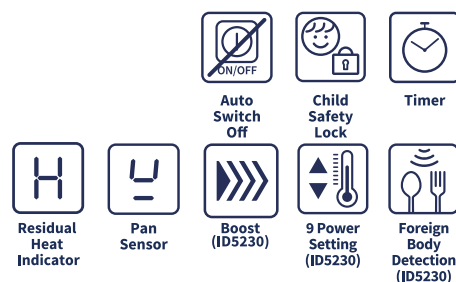
\* 2 years general warranty.

# -FUJIOH-

## ELECTRIC HOB /

### FH-ID5120/25/5230

美しさと、  
機能性の融合。



## SPECIFICATIONS

### FH-ID5125



Type Induction Hob x 2

Rated Power Consumption [w]  
(F) 1500 + (B) 2000  
Total = max 3500

Surface Type  
SCHOTT CERAN® Ceramic Glass

Zone Size [mm] (F) 150 / (B) 180

Timer [min] 99

Ampere required [A] (Based on 240V) 15

Dimensions [mm]  
W288 x D520 x H60

Cut-Out Dimensions [mm]  
W268 x D500

RCP WM RM1,598 EM RM1,798

### FH-ID5120



Type Induction Hob x 2

Rated Power Consumption [w]  
(1500 - 2000) x 2  
Total = max 3500

Surface Type  
SCHOTT CERAN® Ceramic Glass

Zone Size [mm] (L) 190 / (R) 190

Timer [min] 180

Ampere required [A] (Based on 240V) 15

Dimensions [mm]  
W650 x D430 x H65

Cut-Out Dimensions [mm]  
W570 x D375

RCP WM RM1,798 EM RM1,998

### FH-ID5230



Type Induction Hob x 3

Rated Power Consumption [w]  
(F) 1500 + (B) 2600 + (R) 3000  
Total = max 6600

Surface Type  
SCHOTT CERAN® Ceramic Glass

Zone Size [mm] (F) 160 / (B) 210 / (R) 290

Timer [min] 99

Ampere required [A] (Based on 240V) 30

Dimensions [mm]  
W590 x D520 x H62

Cut-Out Dimensions [mm]  
W560 x D490

RCP WM RM2,198 EM RM2,398

\* 2 years general warranty.

# -FUJIOH-

## OVEN /

### FV-EL61

賢く優しいオーブンで、  
安心調理と簡単お掃除。



Child  
Safety  
Lock



Triple  
Layered  
Glass



Enamel  
Coating



Seamless  
Cavity



70L  
Cavity  
Capacity



Accessories



Scan QR Code to  
watch the product  
video.



Oven

## ADVANCED FUNCTIONS



### 01 / Enamel Coated Cavity

Durable and easy for cleaning  
and maintenance.



### 02 / Triple Layered Glass

Lessen heat on the glass door.



### 03 / Child Safety Lock

Prevents children from  
accidentally operating  
the oven.

## SPECIFICATIONS

### FV-EL61



Type Built-In Oven	Layers of Glass 3
Capacity [L] 70	Cavity Material Enamel Coating
No. of Programs 8	Ampere required [A] (Based on 240V) 15
Rated Power Consumption [w] 3000	Gross Dimensions [mm] W595 x D575 x H595
Temperature Range [°C] 50-250	Cut-Out Dimensions [mm] W562 x D570 x H590
RCP WM RM2,498 EM RM2,698	

\* 2 years general warranty.

# -FUJIOH-

## OVEN /

### FV-EL62

多才なオーブンを味方に、  
暮らしを楽しみ。



Pyrolytic  
Self-Clean



Heat  
Shield  
Coating



4 Layered  
Glass



Slider  
Control



72L  
Capacity



Child  
Safety  
Lock



Seamless  
Cavity



Telescopic  
Rail



Accessories



Set End  
Time

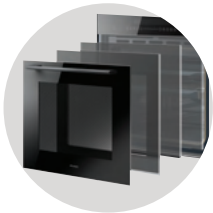


## ADVANCED FUNCTIONS



### 01 / Pyrolytic Self-Clean

Burns off residues at 445°C  
for easy wipe-cleaning.



### 02 / Cool-Touch 4 Layered Glass

Lessen heat on the glass door.



### 03 / Heat Shield Coating

Preserves oven's internals  
from high temperatures.

## SPECIFICATIONS

### FV-EL62



Type  
Built-In Oven

Layers of Glass  
4

Capacity [L]  
72

Cavity Material  
Heat Shield Coating

No. of Programs  
14

Ampere required [A]  
(Based on 240V)  
15

Rated Power Consumption [w]  
3200

Gross Dimensions [mm]  
W595 x D565 x H595

Temperature Range [°C]  
30 - 250

Cut-Out Dimensions [mm]  
W560 x D550 x H590

RCP WM RM4,498 EM RM4,698

\* 2 years general warranty.



# -FUJIOH-

## MICROWAVE OVEN /

### FV-MW51

充実した機能と、  
キッチンに寄り添うデザイン。



Grill



Electric  
Door  
Opening



Auto  
Cooking



Seamless  
Cavity



Child  
Safety  
Lock



Accessories



25L  
Cavity  
Capacity



Scan QR Code to  
watch the product  
video.



Oven

## ADVANCED FUNCTIONS



### 01 / Grill Function

Explore diverse grilled cuisine.



### 02 / 8 Auto Cook Menu

Ideal time & temperature for  
optimum food quality.



### 03 / Electric Door Opening

Swift door opening with  
one touch.

## SPECIFICATIONS

### FV-MW51



Type	Microwave Oven Microwave + Grill	Layers of Glass	2
Capacity [L]	25	Cavity Material	Stainless Steel (SUS304)
Power Level	5	Ampere required [A] (Based on 240V)	13
Rated Power Consumption [w]	1450	Gross Dimensions [mm]	W595 x D401 x H388
Temperature Range [°C]	-	Cut-Out Dimensions [mm]	W560 x D500 x H380
RCP WM RM1,998 EM RM2,198			

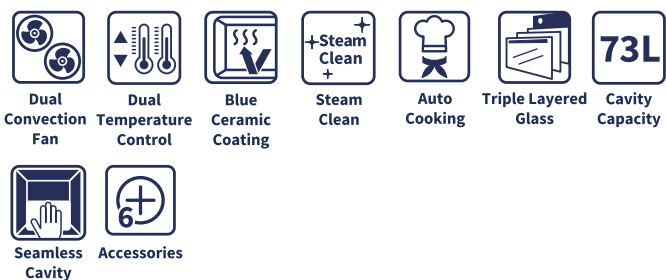
\* 2 years general warranty.

# -FUJIOH-

## COMBI OVEN /

### FV-ML75

パワフルな熱で、  
豊かな食卓を。



## COOKING FUNCTIONS



STEAM

- Low Temp Steam
- Mid Temp Steam
- Hi Temp Steam



BAKE

- Low Humidity Steam + Bake
- Mid Humidity Steam + Bake
- Hi Humidity Steam + Bake
- Top + Bottom
- Dual Temp Top + Bottom



FRY

- Top + Bottom + Fan
- Convection + Bottom
- Double Grill
- Convection



STEW

## ADVANCED FUNCTIONS



**Dual  
Convection  
Fan**

Enhance thermal efficiency for even cooking.



**Dual  
Temperature  
Control**

Separate settings for top and bottom heating elements for precise cooking control.



**Healthy  
Fry**

Air fry and steam fry options for healthier cooking without oil.



## SPECIFICATIONS

### FV-ML75



<b>Type</b> Combi Oven Steam, Bake & Grill	<b>Layers of Glass</b> 3 (2 layers of Low-E glass)
--	---

<b>Capacity [L]</b> 73	<b>Cavity Material</b> Blue Ceramic Coating
---------------------------	--

<b>No. of Programs</b> 24	<b>Ampere required [A]</b> (Based on 240V) 15
------------------------------	---

<b>Rated Power Consumption [w]</b> 3200	<b>Gross Dimensions [mm]</b> W595 x D550 x H595
--	--

<b>Temperature Range [°C]</b> 30 - 250	<b>Cut-Out Dimensions [mm]</b> W560 x D555 x H590
---	--

RCP WM RM6,998 EM RM7,198

## ACCESSORIES



Air Fry Tray

Wire Rack

Steam Tray

Baking Tray



Water Dropper



Oven Glove



## GAS HOB



**FH-GS2020 SVGL**

Cut-Out Dimension  
650-655(W) x 350-355(D)



**FH-GS2030 SVGL**

Cut-Out Dimension  
685-690(W) x 405-410(D)



**FH-GS3020 SVGL**

Cut-Out Dimension  
650 - 730(W) x D350-410(D)



**FH-GS3028 SVGL**

Cut-Out Dimension  
690-830(W) x 390-470(D)

## COOKER HOOD

**FR-MS2390 V/R**



**RM2,488**

RCP: RM2,796

**RM2,788**

RCP: RM3,096

**RM2,988**

RCP: RM3,296

**RM3,088**

RCP: RM3,396

**FR-HT2190 V**



**RM3,088**

RCP: RM3,696

**RM3,388**

RCP: RM3,996

**RM3,388**

RCP: RM4,196

**RM3,488**

RCP: RM4,296

**FR-MT1990 V**



**RM3,488**

RCP: RM3,996

**RM3,788**

RCP: RM4,296

**RM3,788**

RCP: RM4,496

**RM3,888**

RCP: RM4,596

**FR-LT2490 V**



**RM3,888**

RCP: RM4,596

**RM4,188**

RCP: RM4,896

**RM4,288**

RCP: RM5,096

**RM4,388**

RCP: RM5,196

**FR-SD2290 V**



**RM3,788**

RCP: RM4,496

**RM4,088**

RCP: RM4,796

**RM4,188**

RCP: RM4,996

**RM4,288**

RCP: RM5,096

**FR-LW2490 V**



**RM4,388**

RCP: RM5,196

**RM4,688**

RCP: RM5,496

**RM4,788**

RCP: RM5,696

**RM4,888**

RCP: RM5,796

**FR-FS2290 VP/RP**



**RM4,188**

RCP: RM4,896

**RM4,488**

RCP: RM5,296

**RM4,588**

RCP: RM5,396

**RM4,688**

RCP: RM5,496

**FR-SC2090 V/R**

With GFO Duct Cover/ RUT90 Recycle Panel



**RM6,488**

RCP: RM7,296

**RM6,688**

RCP: RM7,596

**RM6,688**

RCP: RM7,796

**RM6,788**

RCP: RM7,896

**FR-FD2490 VP**



**RM8,288**

RCP: RM9,096

**RM8,488**

RCP: RM9,396

**RM8,488**

RCP: RM9,596

**RM8,588**

RCP: RM9,696

**FR-CL1890 V/R**



**RM8,788**

RCP: RM9,596

**RM8,988**

RCP: RM9,896

**RM8,988**

RCP: RM10,096

**RM9,088**

RCP: RM10,196

**FH-GS3030 SVGL**Cut-Out Dimension  
690-830(W) x D390-470(D)**FH-GS6520 SVGL / SVSS**Cut-Out Dimension  
650-730(W) x 350-410(D)**FH-GS6530 SVGL / SVSS**Cut-Out Dimension  
690-830(W) x 390-470(D)**FH-GS7020 SVGL**Cut-Out Dimension  
650-720(W) x 350-410(D)**FH-GS7030 SVGL**Cut-Out Dimension  
700-800(W) x 400-430(D)**RM3,288**

RCP: RM3,596

**RM3,188**

RCP: RM3,496

**RM3,488**

RCP: RM3,796

**RM3,688**

RCP: RM3,796

**RM3,988**

RCP: RM4,296

**RM3,688**

RCP: RM4,496

**RM3,588**

RCP: RM4,396

**RM3,888**

RCP: RM4,696

**RM3,988**

RCP: RM4,696

**RM4,488**

RCP: RM5,196

**RM4,088**

RCP: RM4,796

**RM3,988**

RCP: RM4,696

**RM4,288**

RCP: RM4,996

**RM4,488**

RCP: RM4,996

**RM4,788**

RCP: RM5,496

**RM4,588**

RCP: RM5,396

**RM4,488**

RCP: RM5,296

**RM4,788**

RCP: RM5,596

**RM4,988**

RCP: RM5,596

**RM5,288**

RCP: RM6,096

**RM4,488**

RCP: RM5,296

**RM4,388**

RCP: RM5,196

**RM4,688**

RCP: RM5,496

**RM4,888**

RCP: RM5,496

**RM5,188**

RCP: RM5,996

**RM5,088**

RCP: RM5,996

**RM4,988**

RCP: RM5,896

**RM5,288**

RCP: RM6,196

**RM5,488**

RCP: RM6,196

**RM5,788**

RCP: RM6,696

**RM4,888**

RCP: RM5,696

**RM4,788**

RCP: RM5,596

**RM5,088**

RCP: RM5,896

**RM5,288**

RCP: RM5,896

**RM5,588**

RCP: RM6,396

**RM6,988**

RCP: RM8,096

**RM6,888**

RCP: RM7,996

**RM7,188**

RCP: RM8,296

**RM7,288**

RCP: RM8,296

**RM7,588**

RCP: RM8,796

**RM8,788**

RCP: RM9,896

**RM8,588**

RCP: RM9,796

**RM8,888**

RCP: RM10,096

**RM9,088**

RCP: RM10,096

**RM9,388**

RCP: RM10,596

**RM9,288**

RCP: RM10,396

**RM9,188**

RCP: RM10,296

**RM9,488**

RCP: RM10,596

**RM9,588**

RCP: RM10,596

**RM9,888**

RCP: RM11,096

## ELECTRIC HOB



**FH-ID5125**  
Cut-Out Dimension  
268(W) x 500(D)



**FH-ID5120**  
Cut-Out Dimension  
570(W) x 375(D)



**FH-ID5230**  
Cut-Out Dimension  
560(W) x 490(D)



**FH-IC7020**  
Cut-Out Dimension  
680(W) x 380(D)

## COOKER HOOD

### FR-MS2390 V/R



**RM3,188**  
RCP: RM3,296

**RM3,388**  
RCP: RM3,496

**RM3,688**  
RCP: RM3,896

**RM3,688**  
RCP: RM3,896

### FR-HT2190 V



**RM3,788**  
RCP: RM4,196

**RM3,788**  
RCP: RM4,396

**RM4,188**  
RCP: RM4,796

**RM4,188**  
RCP: RM4,796

### FR-MT1990 V



**RM4,188**  
RCP: RM4,996

**RM4,288**  
RCP: RM4,696

**RM4,588**  
RCP: RM5,096

**RM4,588**  
RCP: RM5,096

### FR-LT2490 V



**RM4,688**  
RCP: RM5,096

**RM4,788**  
RCP: RM5,296

**RM5,088**  
RCP: RM5,696

**RM5,088**  
RCP: RM5,696

### FR-SD2290 V



**RM4,588**  
RCP: RM4,996

**RM4,688**  
RCP: RM5,196

**RM4,988**  
RCP: RM5,596

**RM4,988**  
RCP: RM5,596

### FR-LW2490 V



**RM5,188**  
RCP: RM5,696

**RM5,288**  
RCP: RM5,896

**RM5,588**  
RCP: RM6,296

**RM5,588**  
RCP: RM6,296

### FR-FS2290 VP/RP



**RM4,988**  
RCP: RM5,396

**RM5,088**  
RCP: RM5,596

**RM5,388**  
RCP: RM5,996

**RM5,388**  
RCP: RM5,996

### FR-SC2090 V/R

With GFO Duct Cover/ RUT90 Recycle Panel



**RM7,088**  
RCP: RM7,796

**RM7,188**  
RCP: RM7,996

**RM7,488**  
RCP: RM8,396

**RM7,488**  
RCP: RM8,396

### FR-FD2490 VP



**RM8,788**  
RCP: RM9,596

**RM8,888**  
RCP: RM9,796

**RM9,088**  
RCP: RM10,196

**RM9,188**  
RCP: RM10,196

### FR-CL1890 V/R



**RM9,288**  
RCP: RM10,096

**RM9,388**  
RCP: RM10,296

**RM9,688**  
RCP: RM10,696

**RM9,688**  
RCP: RM10,696



**FH-IC7030**  
Cut-Out Dimension  
695(W) x 410(D)

**RM3,988**  
RCP: RM4,196

**RM4,488**  
RCP: RM5,096

**RM4,888**  
RCP: RM5,396

**RM5,388**  
RCP: RM5,996

**RM5,288**  
RCP: RM5,896

**RM5,888**  
RCP: RM6,596

**RM5,688**  
RCP: RM6,296

**RM7,788**  
RCP: RM8,696

**RM9,488**  
RCP: RM10,496

**RM9,988**  
RCP: RM10,996

**BUILT-IN OVEN**



**FV-EL61**  
70L Capacity  
8 Programs

**PWP**  
**RM2,188**  
RCP: RM2,498



**FV-EL62**  
72L Capacity  
14 Programs  
Pyrolytic Self-Clean

**PWP**  
**RM4,188**  
RCP: RM4,498

**BUILT-IN MICROWAVE OVEN**



**FV-MW51**  
25L Capacity  
Grill Function  
8 Auto Cook Menus

**PWP**  
**RM1,788**  
RCP: RM1,998

**BUILT-IN COMBI OVEN**



**FV-ML75**  
73L Capacity  
24 Programs  
30 Auto Cook Menus

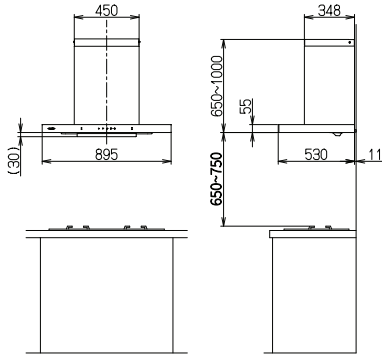
**PWP**  
**RM5,988**  
RCP: RM6,998

**Bundle**

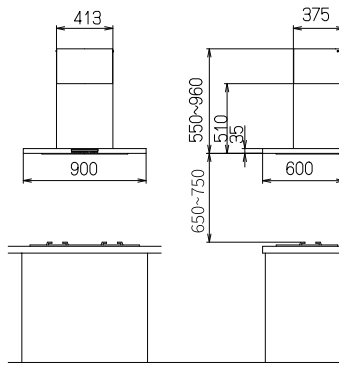
Prices above are applicable to WM only. Additional charge of RM200 is applicable to purchases in EM. The above measurements are calculated in units of "mm".

# -FUJIOH-

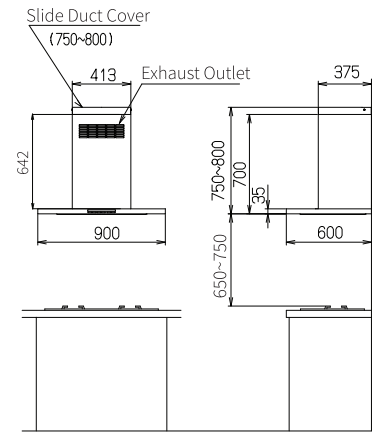
HOOD /  
FR-FD2490 VP



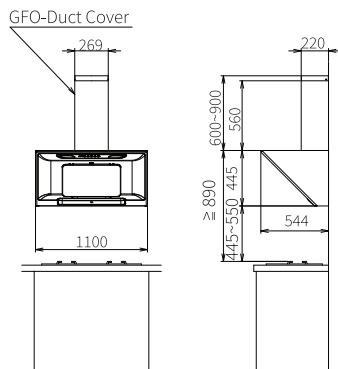
HOOD /  
FR-CL1890 V



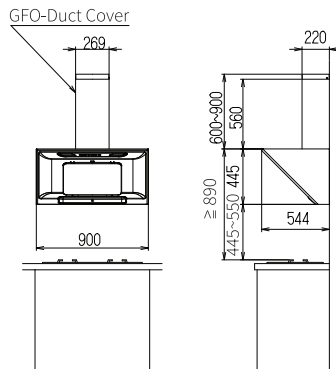
HOOD /  
FR-CL1890 R



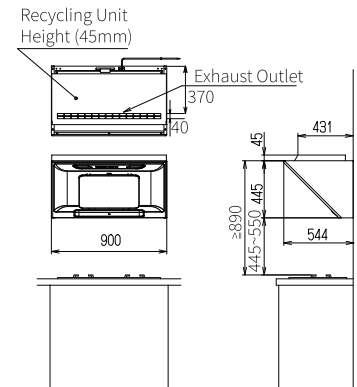
HOOD /  
FR-SC2011 V



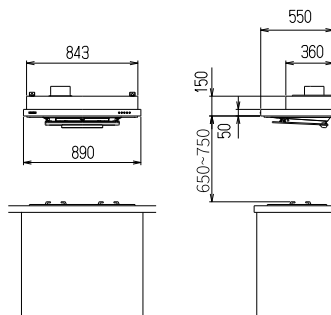
HOOD /  
FR-SC2090 V



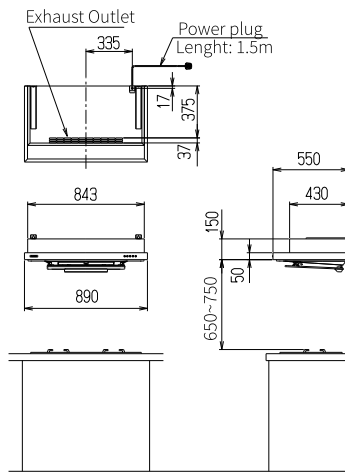
HOOD /  
FR-SC2090 R



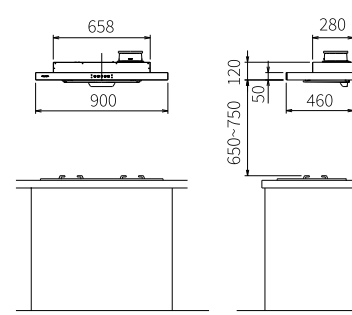
HOOD /  
FR-FS2290 VP



HOOD /  
FR-FS2290 RP



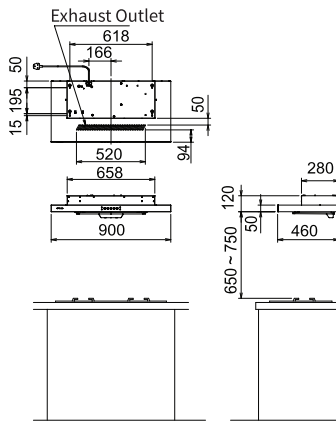
HOOD /  
FR-MS2390 V



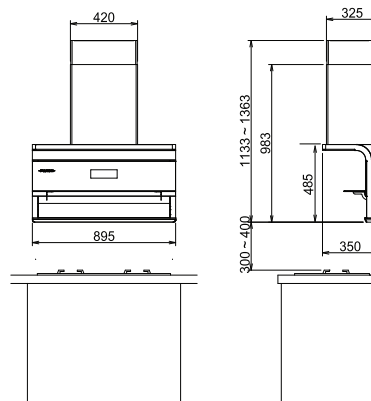
\* The above measurements are calculated in units of "mm".



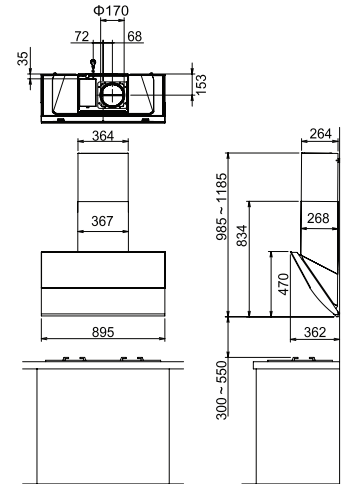
**HOOD /  
FR-MS2390 R**



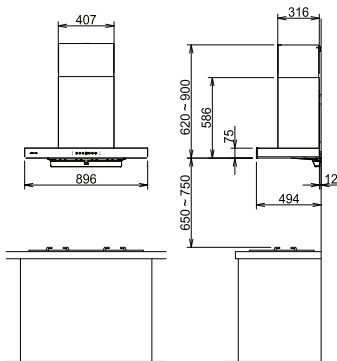
**HOOD /  
FR-LW2490 V**



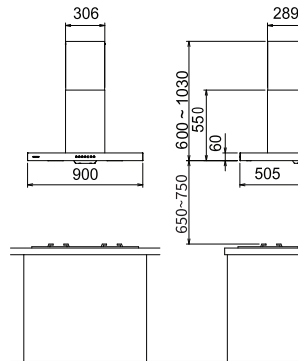
**HOOD /  
FR-SD2290 V**



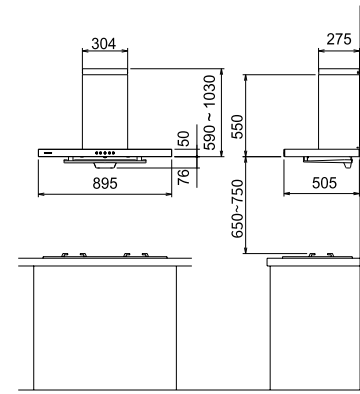
**HOOD /  
FR-LT2490 V**



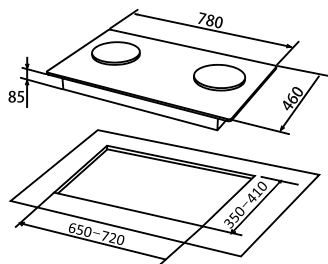
**HOOD /  
FR-MT1990 V**



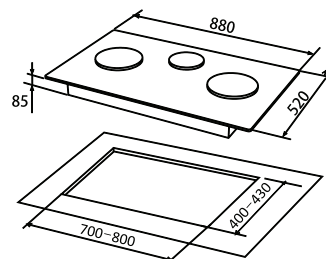
**HOOD /  
FR-HT2190 V**



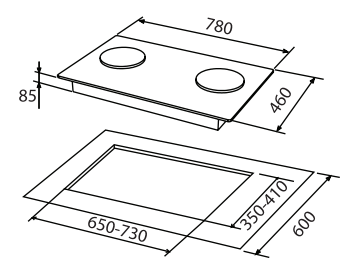
**GAS HOB /  
FH-GS7020 SVGL**



**GAS HOB /  
FH-GS7030 SVGL**



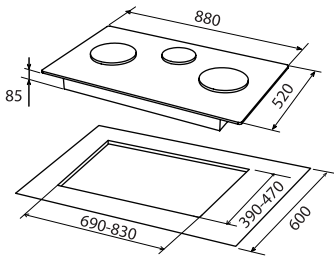
**GAS HOB /  
FH-GS6520 SVGL / SVSS**



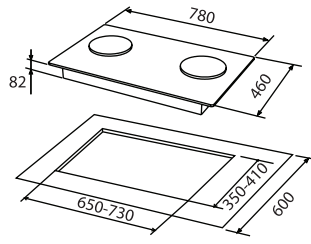
\* The above measurements are calculated in units of "mm".

# -FUJIOH-

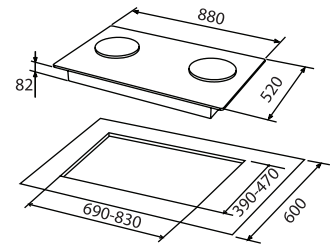
GAS HOB /  
FH-GS6530 SVGL / SVSS



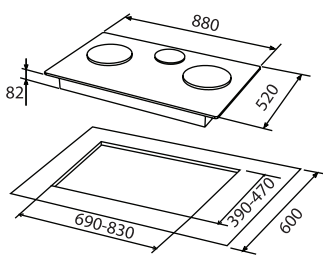
GAS HOB /  
FH-GS3020 SVGL



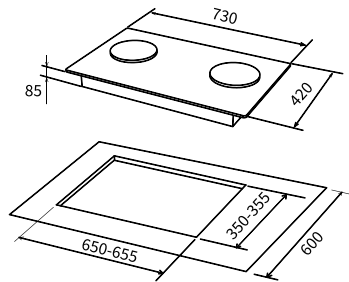
GAS HOB /  
FH-GS3028 SVGL



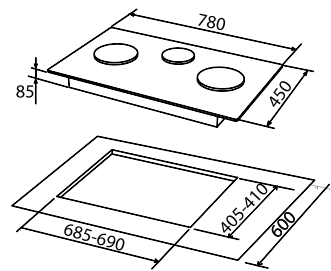
GAS HOB /  
FH-GS3030 SVGL



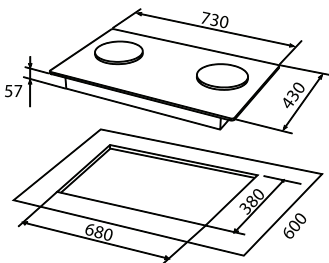
GAS HOB /  
FH-GS2020 SVGL



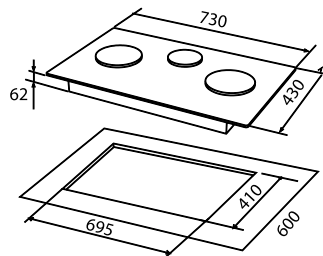
GAS HOB /  
FH-GS2030 SVGL



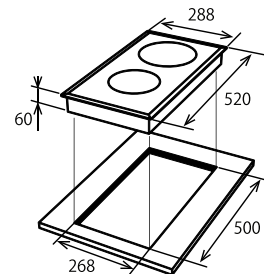
ELECTRIC HOB /  
FH-IC7020



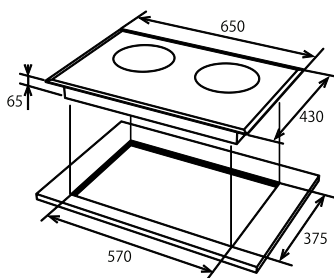
ELECTRIC HOB /  
FH-IC7030



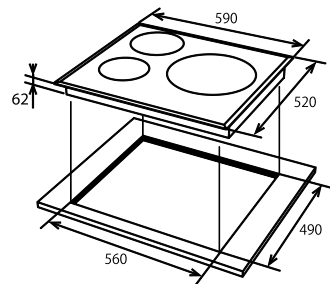
ELECTRIC HOB /  
FH-ID5125



ELECTRIC HOB /  
FH-ID5120



ELECTRIC HOB /  
FH-ID5230

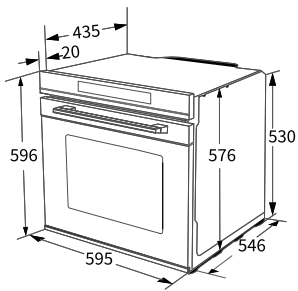


\* The above measurements are calculated in units of "mm".

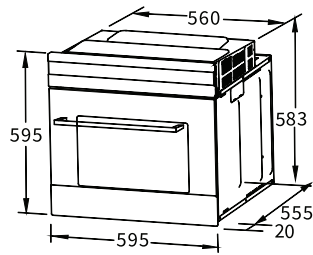
\* Please ensure electric hob is well ventilated and the air inlet and outlet are not blocked.

# -FUJIOH-

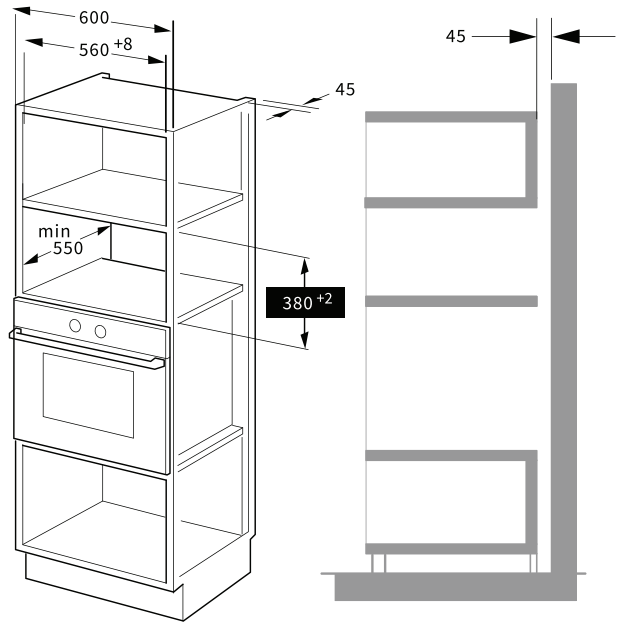
OVEN /  
FV-EL62



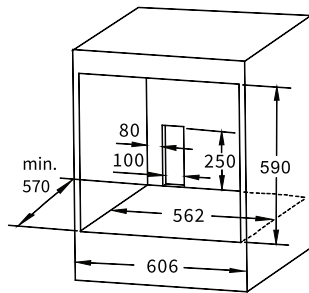
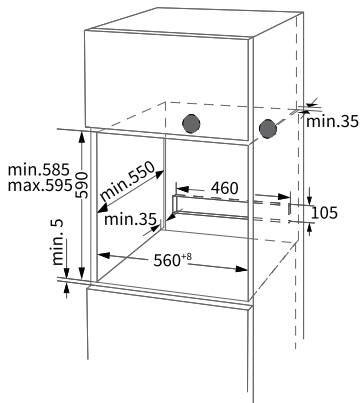
OVEN /  
FV-EL61



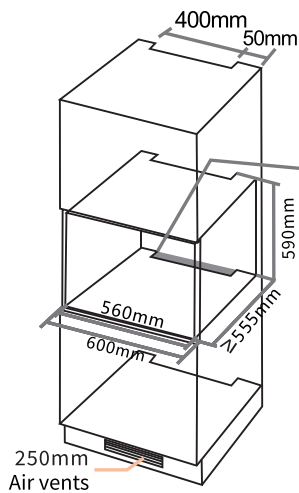
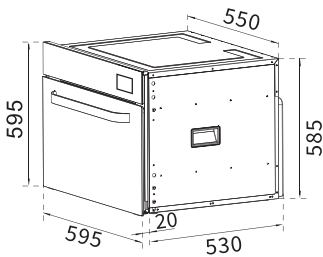
MICROWAVE OVEN /  
FV-MW51



Back Ventilation Gap Allowance



COMBI OVEN /  
FV-ML75



Air vents are used to prevent the oven from becoming stuffy, allowing for proper ventilation. Additionally, a small piece of mesh can be added to prevent cockroaches and other pests from entering.

\* The above measurements are calculated in units of "mm".

\* Product images are for illustrative purposes only and may differ from the actual product.

# -FUJIOH-

**FUJIOH MARKETING MALAYSIA SDN BHD**

23, Jalan Serendah 26/39, Section 26,  
40400 Shah Alam, Selangor, Malaysia.

For enquiries, please contact

✉ enquiry@fujioh.my

☎ 03- 5103 6826

[www.fujioh.com/my](http://www.fujioh.com/my)



[www.global.fujioh.com/](http://www.global.fujioh.com/)



[www.fujioh.com/my](http://www.fujioh.com/my)



Fujioh Malaysia



fujiohmy