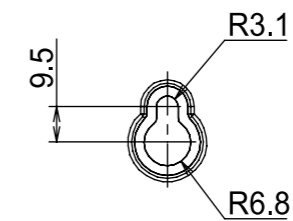
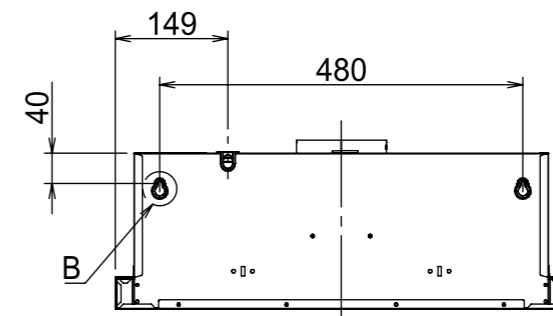
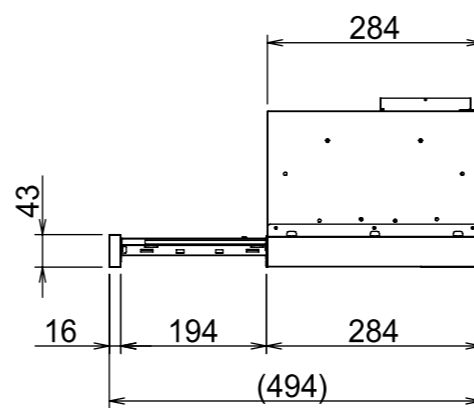
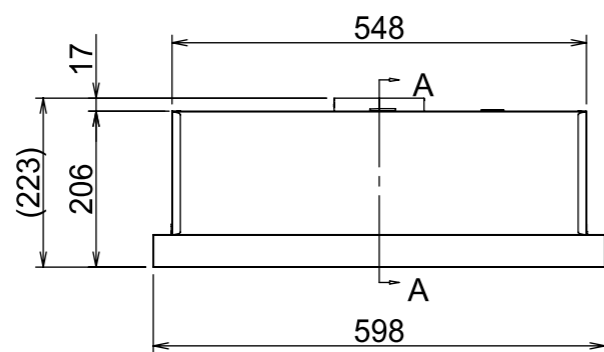


Cross section A



B Details Scale 5: 1

Specifications								
Model	Voltage (V)	Speed	Frequency (Hz)	Power consumption (W)	Airflow(m ³ /h)		Sound (db)	Weight (kg)
					0Pa	-		
FR-AE2260 Ventilating	220	Hi	50	88	385	-	53	6.8
		Med		77	295	-	45	
		Low		64	210	-	38	
	230	Hi		94	400	-	54	
		Med		82	315	-	47	
		Low		69	225	-	40	
	240	Hi		99	420	-	54	
		Med		88	330	-	49	
		Low		74	240	-	42	
FR-AE2260 Recycling (with Charcoal filter)	220	Hi	50	70	230	-	52	6.8
		Med		63	210	-	50	
		Low		57	170	-	46	
	230	Hi		75	230	-	52	
		Med		67	215	-	51	
		Low		60	180	-	47	
	240	Hi		81	235	-	53	
		Med		71	220	-	51	
		Low		63	185	-	48	

Motor class	2 Pole capacitor motor	insulation resistance	Over 10MΩ (500Vmegger)	Withstanding voltage	AC1000V for 1min	Insulation class	E
-------------	------------------------	-----------------------	------------------------	----------------------	------------------	------------------	---

Airflow measured by JIS C9603 chamber method

Mark	Revised record	Date
△		

FR-AE2260			
Model	Product code	Color	Note
Created date	11/01/2022	Product category	Hood
Updated date		Model	FR-AE2260
-FUJIOH-		Scale	1/10
Product outline drawing			