

HOOD/ FR-AE2260/90



Telescopic Hood Slim Design Charcoal Filter Aluminium Filter LED Light

3 COOKER HOOD
LIMITED WARRANTY*

Beauty in Simplicity

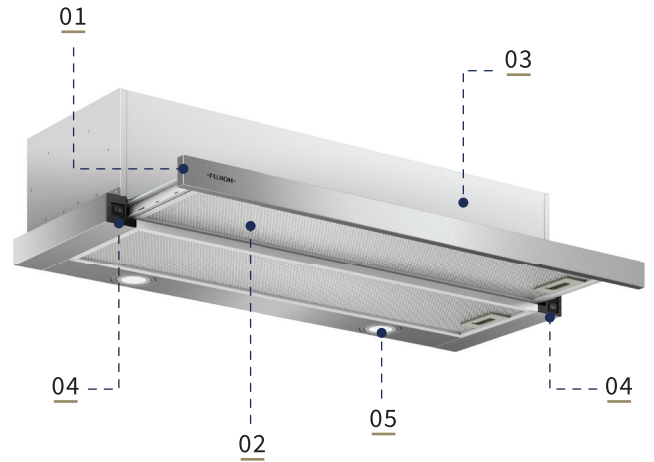
シンプルさを追求した、無駄のない美しさ。

Aesthetically hidden away in the quiet kitchen, a minimalist looking cooker hood takes its break. Slim design with sliding panel, the telescopic cooker hood comes to life with its hidden buttons powered on. Coupled with mesh and charcoal filters, it does what it has to do – remove grease and smell for a clean kitchen.

Simple, yet such a beauty.

-FUJIOH-

ADVANCED FUNCTIONS



01/ Slim Telescopic Hood with Sliding Front Panel



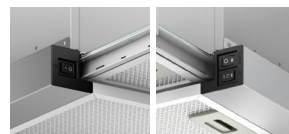
02/ Aluminium Mesh Filters

03/ Charcoal Filters



04/ Hidden Switches for Minimalist Look

- Hidden Switch ①: Light On/Off
- Hidden Switch ②: Off/High
- Hidden Switch ③: Low Speed/Off/Medium Speed



05/ Eco LED Lighting

*3 years warranty for motor • 1 year warranty for other parts
Warranty Terms and Conditions apply

SIZES

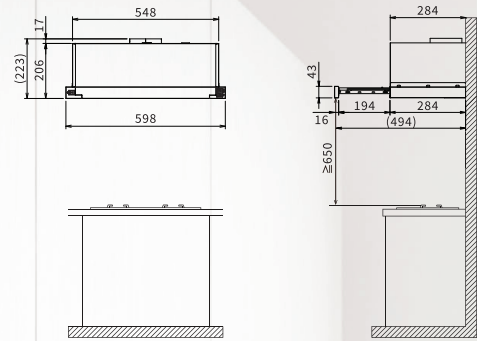


FR-AE2260/ 600mm

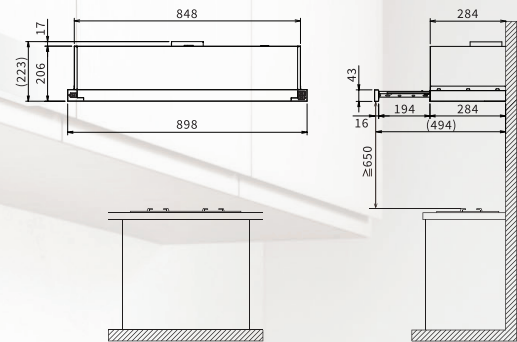


FR-AE2290/ 900mm

INSTALLATIONS



FR-AE2260/ 600mm



FR-AE2290/ 900mm

*Product images are for illustrative purposes only and may differ from the actual product.

SPECIFICATIONS

| Type | FR-AE2260/90 (RECYCLING) | FR-AE2260/90 (VENTILATING) |
|---|---|----------------------------|
| Dimensions [mm] | W598/898 x D300-494 x H206 | |
| Weight [kg] | (600) 6.8/(900) 8.6 | |
| Power Consumption [W] (220/230/240V) | 70/75/81 | 88/94/99 |
| Voltage [V/Hz] | 220, 230, 240/50 | |
| Duct Diameter [mm] | - | φ120 |
| Sound Level [dB] (220/230/240V) | 52/52/53 | 53/54/54 |
| Switch | Rocker Switch | |
| Speed | 3 Speeds | |
| Hood Body | SUS430 | |
| Filter | Aluminium Mesh Filter x 2 and Charcoal Filter* x 2 | Aluminium Mesh Filter x 2 |
| Lighting | LED 2.0W x 2 | |

*Recommend to replace charcoal filters every 3 months

