

# -FUJIOH-

Cooker Hood

Operating / Installation Manual

**FR-AE2260**

**FR-AE2290**

Please read this manual carefully  
before using this appliance.

Dear Customer,

Thank you very much for choosing our product, please carefully read the following important information for installation,safety and maintenance guidances. And keep this instruction manual for future reference.

If you follow the recommendations contained in this Operating /Installation Manual, our appliance will give you constant high performance and will remain efficient for many years to come.

## **Product Specification & Technical Parameters**

Model	FR-AE2260/2290
Rated Voltage	220-240V~
Rated Power Frequency	50/60Hz
Light Power	2*2W
Motor Power	1*120W
Total Power	124W
Diameter of Outlet Adapter	120mm

### **Lamps**

This cooker hood requires two LED lamp( 2W ).

## **RECOMMENDATIONS AND SUGGESTIONS**

---

### **INSTALLATION**

- \* The manufacturer will not hold any liable for damages caused by the incorrect or improper installation.
- \* Please read this Operating / Installation Manual before installing and using this cooker hood. Please keep this manual in a safe place for future reference.
- \* Only a qualified and trained service technician can undertake the work of installation and servicing.
- \* Check that the main voltage corresponds to the rating plate fixed inside the hood.
- \* Do not connect the hood to exhaust ducts carrying combustion fumes (boilers, fireplaces, etc.)
- \* If the hood is used in conjunction with non-electrical appliances (e. g. gas burning appliances), a sufficient degree of ventilation must be guaranteed in

the room in order to prevent the backflow of exhaust gas. The kitchen must have an opening directly with the open air in order to guarantee the entry of clean air.

\* The minimum distance between the supporting surface for the cooking vessels on the hob and the lowest part of the cooker hood, when the cooker hood is located above the hob should be at least 650mm. If the installation instructions for hobs specify a greater distance, this must be taken into account.

**NOTICE:** Two or more people are required to install or move this appliance. Failure to do so can cause physical injuries.

## **USE**

\* The cooker hood has been designed only for domestic use to eliminate kitchen fumes.

\* Never use the hood for purposes other than what it has been designed for.

\* Never leave high naked flames under the hood when it is in operation.

\* Adjust the flame intensity to direct it onto the bottom of the pan only; making sure that it does not engulf the pan sides.

\* Deep fat fryer must be continuously monitored during use: overheated oil can burst into flame.

\* The hood should not be used by children or persons not instructed in its correct use.

## **MAINTENANCE**

\* Proper maintenance of the cooker hood will assure proper performance of the unit.

\* Disconnect the hood from the main supply before carrying out any maintenance work.

\* Clean and replace aluminum grease filters after specified period of time. Do not remove it with one hand because it may be fallen.

\* Clean the hood using a damp cloth and a neutral liquid detergent.

\* **DISPOSAL:** This product should not be disposed together with domestic waste. This product has to be disposed at an authorised place for recycling of electrical and electronic appliance. By collecting and recycling waste, you help

save natural resources, and make sure the product is disposed in an environment friendly and healthy way.

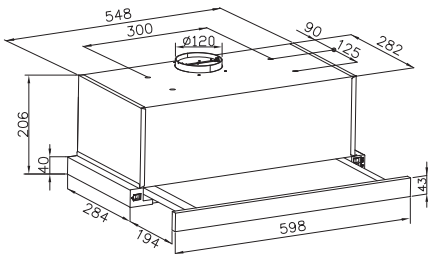
## **WARNING!!**

In certain circumstances electrical appliances may be a danger hazard.

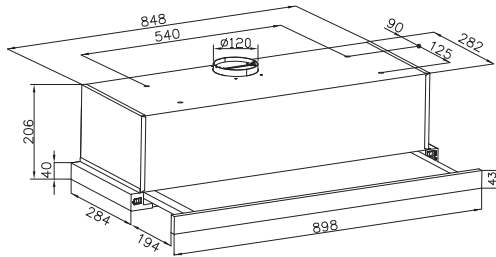
- \* Do not check the status of the filters while the cooker hood is operating.
- \* Do not touch the light bulbs immediately after appliance usage.
- \* Do not disconnect the appliance with wet hands.
- \* Avoid free flame, as it is damaging for the filters and may cause a fire hazard.
- \* Constantly check food frying. Overheated oil may cause a fire hazard.
- \* Disconnect the electrical plug prior to any maintenance.
- \* Children don't recognize the risks of electrical appliances. Therefore children can only use this product when they are under supervision of adults, otherwise this product should be kept out of reach from children.
- \* Don't use this product outdoors.
- \* This appliance is not intended for use by persons (including children) with reduced physical, sensory or mental capabilities, or lack of experience and knowledge, unless they have been given supervision or instruction, concerning use of the appliance by a person responsible for their safety. Children should be supervised to ensure that they do not play with the appliance.
- \* There shall be adequate ventilation of the room when the range hood is used at the same time as appliances burning gas or other fuels.
- \* There is a fire risk if cleaning is not carried out in accordance with instructions.

# CHARACTERISTICS

## DIMENSIONS(mm)



FR-AE2260

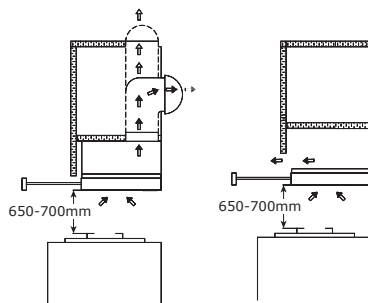


FR-AE2290

## INSTALLATION & USE

### Ventilating or Circulation

The hood draws the cooking fumes saturated with fumes and odor, through the grease filters and expels it outside through an outlet pipe, or circulates it back into the kitchen through carbon filters.



**Caution:** To reduce the risk of fire, use of metal ductwork is preferred.

Do not use flammable material to convey exhaust air.

1. Finalize the exhaust ductwork position in between the hood and the outside.
2. A straight, short duct run will allow the hood to perform most efficiently.
3. Long duct runs, elbows, and transitions will reduce the performance of the hood. Hence, avoidance of these factors should be considered while installing the hood.
4. The air must not be discharged into a flue that is used for exhausting fumes from appliances such as burning gas or other fuels. Regulations concerning the discharge of air have to be followed. Check with the local authority and building codes for exhaust ducting requirements.
5. Install a roof/wall cap. Connect round metal ductwork to cap and work back towards hood location.

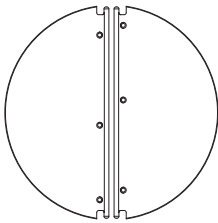
## **Electrical Connection**

\* Electrical wiring must be done by a qualified person(s) in accordance with all applicable codes and standards. **Turn off electrical power at service entrance before wiring.**

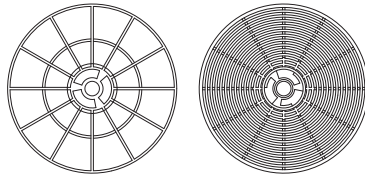
\* If the supply cord is damaged, it must be replaced by the manufacturer, its service agent or similarly qualified persons in order to avoid a hazard

\* Do not use the plug and an extension cord other than the ones initially supplied with the hood.

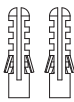
## **ACCESSORIES**



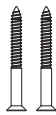
Blade (2pcs)



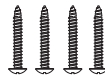
Charcoal filter (2pcs)



Plastic screw  
(2pcs)



Screw ST5\*50  
(2pcs)



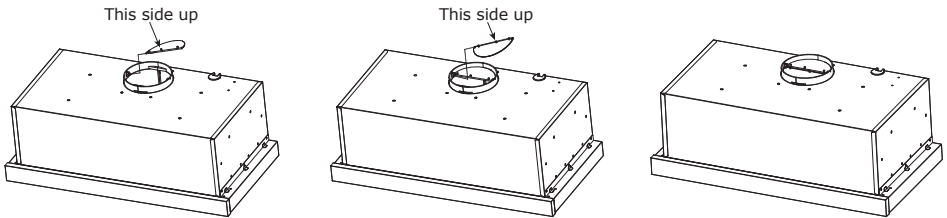
Screw ST4.2\*30  
(4pcs)



Screw ST2.9\*8  
(2pcs)

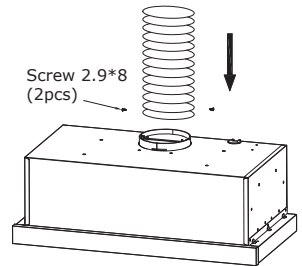
## **INSTALLATION**

Install the blades as below steps. Please note that the side with paxillas will be on top.



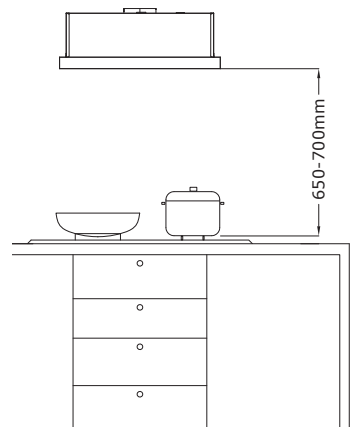
Before beginning installation, to better handle the hood, we advise removing the aluminum filter.

Before fixing, the outlet exhaust duct for air evacuation to outside must be installed. Use an outlet exhaust duct with: - minimum indispensable length; -Minimum possible bends (maximum angle of bend: 90°); -certified material (according to local, building & fire regulations); and as smooth as possible inside. It is also advisable to avoid any drastic changes in duct cross-section (recommended diameter: 125mm).



Drill the hole in the wall for the air outlet (133 mm diameter) referring to drawings here on the right where the measurements for the various possibilities are indicated.

Decide on the position of the hole for the air outlet: The hole must be in the ceiling, according to your requirements, but must be in vertical line with your hood. Please be aware that the hood can expel air through the top air outlet only.



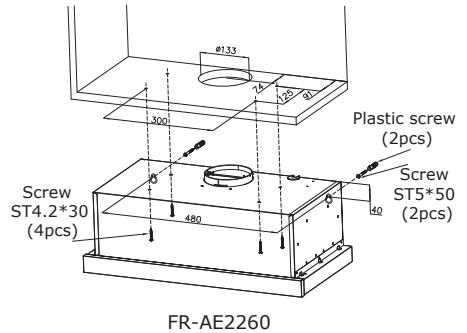
## **Fitting under wall unit**

1. Before fixing the hood to the wall unit, drill a hole of 133mm diameter in the wall unit.
2. In any case, check the position of the power outlet considers where the power cable will run, since a hole might have to be made in the wall unit to accommodate it.
3. Drill 2  $\phi 10$  holes (depth:45mm) in the wall as right pic. and insert the attached plastic screws. Drill 4 holes in the wall unit, following the distance indicated. Push the hood up against the wall unit and insert the 4 screws ST4.2\*30 operating from inside the wall unit.
4. Fix the hood with 2 screws(ST5\*50).
5. Make the electrical connection.

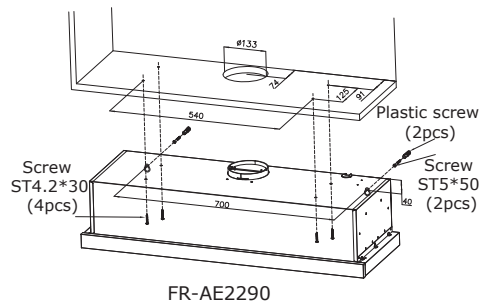
**Installation is now complete.**

### **Notice:**

- Exhaust air must not be discharged into a flue which is used for exhausting fumes from appliance such as burning gas or other fuels.
- If the instructions for installation of the gas hob specify a greater distance than 650mm, this has to be taken into account.
- The regulations concerning the discharge of exhaust air have to be followed.



FR-AE2260

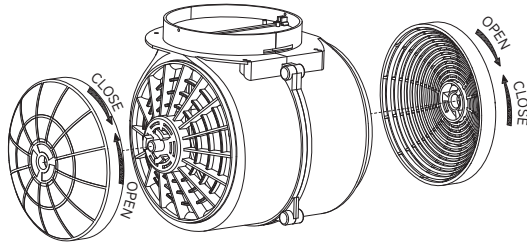


FR-AE2290



## **INSTALLATION OF THE CHARCOAL FILTER**

Please lock the charcoal filter on the motor system following the instruction below.



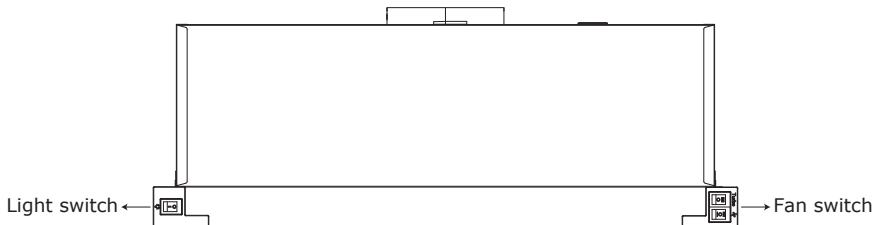
## **OPERATION**

The hood is operated using the rocker switch behind the front panel.

The light switch turns the lamps on and off.

The fan switch turns the fan on to three speed settings.

Pull out the front panel to the maximum level before the operation of the hood and return it firmly when the operation is completed.



## **MAINTENANCE**

### **Grease Filter**

Grease filters should be cleaned frequently (every two months of operation, or more frequently for heavy use). Use a warm detergent solution.

Grease filters are washable.

Note: While removing the grease filters, always hold it firmly with both hands instead of one.

Global Website  
[www.fujioh.com](http://www.fujioh.com)

**FUJIOH INTERNATIONAL TRADING PTE.LTD.**

**Southeast Asia Regional Headquarters**

3014A Ubi Road 1 #06-04, Singapore 408703

Tel : (65) 6286 3286 Fax : (65) 6285 3285

E-mail : [fit@fujioh.com.sg](mailto:fit@fujioh.com.sg)

**Rev1 2022**

# -FUJIOH-

吸油烟机

安装及操作手册

**FR-AE2260**

**FR-AE2290**

使用前请仔细阅读说明书，并妥善保管。

亲爱的用户，

很感谢您选择了我们的产品，请仔细阅读以下关于安装，安全以及维护指引的重要信息。为了以后作为参考，请保留这份说明书。如果您遵循说明书里关于操作以及安装的建议，我们的抽油烟机会保持持续稳定的性能，并且保持长年的高效。

## 产品规格以及技术参数

型号	FR-AE2260/2290
额定电压	220-240V~
额定频率	50/60Hz
照明功率	2*2W
电机功率	1*120W
消耗功率	124W
排气口直径	120mm

## 灯具

这个吸油烟机需要两个LED灯（2W）。

## 指引以及建议

### 安装

- \* 针对由于不正当操作安装造成的损坏，生产商概不负责。
- \* 请在安装以及使用该吸油烟机之前仔细阅读安装及操作手册。
- \* 只有一个合格的，接受过培训的技术服务人员才可以承担该安装服务工作。
- \* 根据产品内部贴的铭牌检查主要的电压。
- \* 不要让吸油烟机连接带有燃烧烟气的烟管（如热水器，壁炉等）。
- \* 如果吸油烟机是与非电器产品（如燃气产品）连接使用的，务必保证空间内的足够的通风，防止燃气回流。厨房必须要有一个跟外面空气直接相连的开口，以保证清洗空气的流通。
- \* 当吸油烟机装在灶具上面，烟机最低处理灶具上厨具表面的最小距离至少要到650毫米。如果灶具的安装说明书里面有明确更好的距离，请把这个距离考虑在内。

**注意：** 安装或者移动该电器需要2个或者2个以上的人。少于2个人会容易造成人体受伤。

## **使用**

- \* 该吸油烟机是针对生活中用于清除油烟设计的。
- \* 不要用这个吸油烟机去做其他不是它设计应有的功能。
- \* 当吸油烟机正在工作的时候，不要明火放在吸油烟机下面。
- \* 调整火焰，让它集中到锅的底部，确保他不会跑到锅的边上。
- \* 重油的烹调需要在使用过程中持续关注。热油会溅到火焰上的。
- \* 吸油烟机不能让儿童使用，或者不能让错误使用吸油烟机的人使用。

## **维护**

- \* 对吸油烟机适当的维护可以保证吸油烟机的正常的工作性能。
- \* 在进行维护，检修工作之前，请切断电源。
- \* 在使用了一定的时间之后，需要清洁跟更换铝合金网。不要用一只手去更换因为它有可能会掉落。
- \* 报废：这个产品不能与生活废品一起丢弃。这个产品应该丢弃在官方的回收电子电气产品的地方。通过收集回收垃圾，会对节省自然资源有帮助。请确保这个产品通过对环境友好健康的方式进行报废。

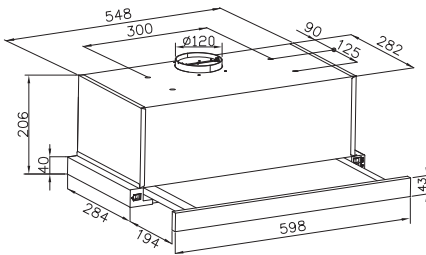
## **警告！！**

在特定情况下，电器产品会造成伤害。

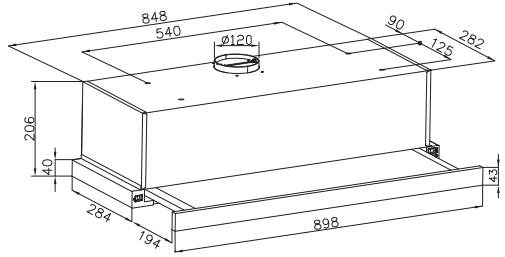
- \* 当吸油烟机在运行的时候，不要去检查过滤网的情况。
- \* 不要在刚使用完吸油烟机的时候去触碰灯具。
- \* 不要用湿的双手去断开吸油烟机的连接。
- \* 避免离焰，因为这个会造成对过滤网的损伤，也可能造成火灾。
- \* 经常地检查食物煎炸。过热的油会造成火灾。
- \* 儿童是没有对于电气产品的风险意识。因此儿童只有在成人指导下才可以使用该产品，否则这个产品应该不能让儿童触碰。
- \* 该产品不能用于户外。
- \* 该产品不能为以下人群使用（包括儿童）--身体残疾，感官或者精神残疾，缺乏经验与知识的人。除非他们是在能保证他们安全的人的指引，操作下，他们可以使用。儿童应该被监督，确保他们不会去玩耍这个产品。
- \* 在使用燃气或其他燃料产品的同时，吸油烟机需要在足够通风的空间里面运行。
- \* 如果不按照指示进行清洁，会有火灾隐患。

## 产品特点

## 尺寸 (毫米)



FR-AE2260



FR-AE2290

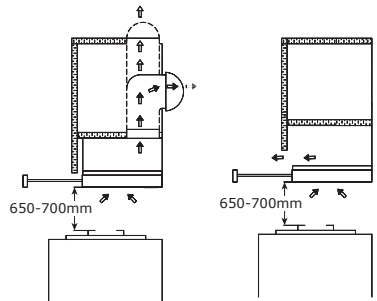
## 安装和使用

### 排气或者循环

该吸油烟机吸油烟和气味，通过滤网，从出风管排到室外或者通过活性炭循环排到厨房内。

**注意：**为了降低火灾的风险，使用金属的烟管会更好。不要使用可燃的材料去排烟气。

1. 在吸油烟机和室外之间确认烟管的位置。
2. 直的短烟管可以让吸油烟机性能最有效。
3. 长的烟管，弯管，转接头会影响吸油烟机的排烟效果。因此在安装吸油烟机的时候需要把这些因素考虑进去。
4. 烟气不能跟燃烧燃气或者其他燃料的排放管道一起排放。关于排放烟气的规定是需要遵循的。请与当地政府机关或者建筑规范确认排放管道的要求。
5. 安装屋顶风帽或者墙壁风帽。连接圆形金属烟管和风帽接着延伸到吸油烟机的位置。



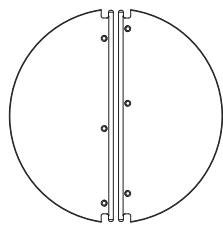
### 电气连接

\* 电气接线需要由符合资格的人员根据相关的规定和标准进行操作。在接线服务开始之前，务必拔掉电源。

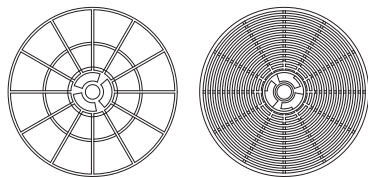
\* 如果电源线有损坏，它务必由生产商，它的售后代理或者类似符合要求的人员进行更换，避免灾难的发生。

\* 不要使用非原配的插头或者延长线。

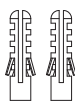
## 附件包



叶片 (2片)



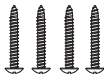
活性炭网 (2个)



塑料胀管 (2个)



螺丝ST5\*50 (2颗)



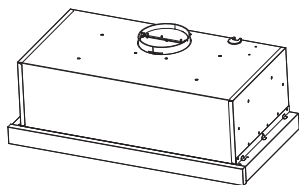
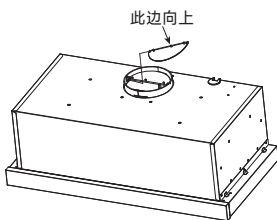
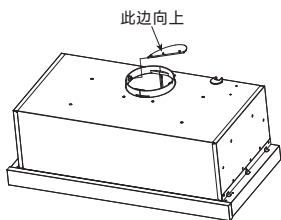
螺丝ST4.2\*30 (4颗)



螺丝ST2.9\*8 (2颗)

## 安装

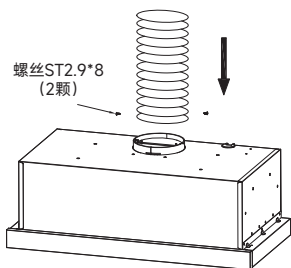
请按照以下步骤安装叶片。请注意叶片带两个小圆柱体的那边要向上。



在开始安装之前，为了更好地进行操作，我们建议您先把铝合金过滤网拆卸下来。

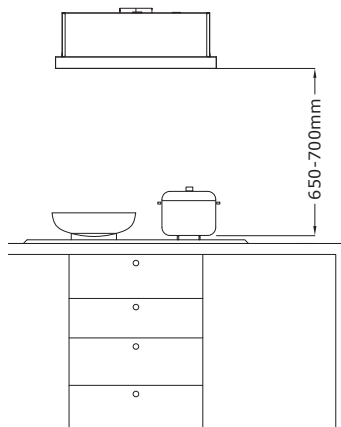
在安装吸油烟机之前，排烟气到室外的排烟管需要安装好。根据以下要求使用排烟管：

- 最低需求的长度；最低可能的弯曲度（最大弯度：90度）；



- 符合认证的材料（符合当地的，建筑，防火要求的规定）；管内部尽可能顺滑。我们也建议尽可能地避免在烟管衔接处做大的改动（建议直径：125毫米）。

请在墙上开烟管孔（133毫米直径），根据右图指示的尺寸去确定墙开孔的位置。

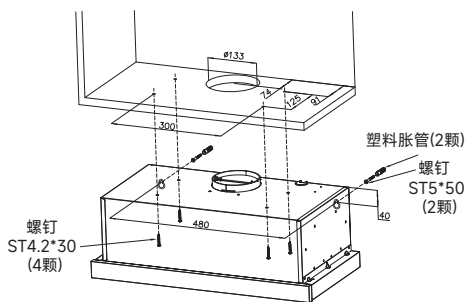


确定排烟孔的位置：排烟孔务必在天花板，根据您的需求，但是应该跟吸油烟机在垂直的方向。请注意该吸油烟机只能从顶部排烟。

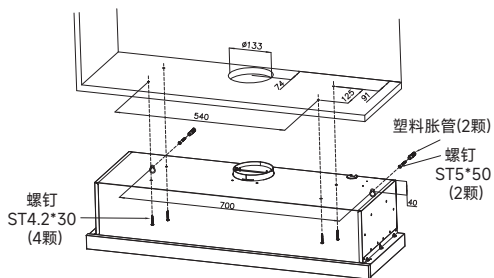
### 在橱柜下安装吸油烟机

1. 在安装之前，根据右边图示在柜子上开孔，直径133毫米。
2. 无论如何，都要考虑电源线的出线位置，根据需求决定是否在柜子上开一个孔来走线。
3. 根据右图指示在墙壁上打两个 $\phi 10$ 的孔（深度：45毫米），接着把两个塑料胀管打进孔。根据指示的尺寸在柜子上打4个孔。把烟机推上柜子，对准空位，从里面往柜子上打4个螺钉ST4.2\*30。
4. 用两个螺钉（ST5\*50）打在后面的两个塑料胀管里面，这样就可以固定好烟机。
5. 接好电源线。

安装现在已经完成。



FR-AE2260



FR-AE2290

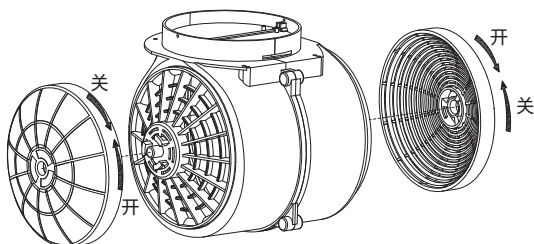


## 注意：

- 烟气不能通过燃烧燃气或者其他燃料的排气管来进行排放。
- 如果燃气灶的安装说明里面有特别明确比650MM更大的距离，安装烟机的时候，请考虑进去。
- 请务必遵守有关烟气排放的规定。

## 安装活性炭网

请根据以下视图的操作指示把活性炭网锁在风道系统两边。



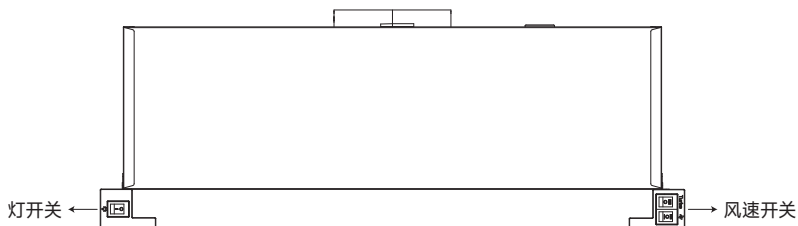
## 吸油烟机操作

这个吸油烟机是通过前板后面的翘板开关进行控制的。

灯的开关控制开灯和关灯。

风速开关分3档控制风速。

在启动吸油烟机之前，把前拉板拉到最大抽拉长度。在关闭吸油烟机的时候，再把前拉板推回原位。



## 维护

---

### 过滤网

过滤网需要频繁地清理（每两个月，或者如果使用时间比较久的话就要更加频繁）。请使用温和的清洁剂进行清洗。

过滤网是可以清洗的。

注意：当你拆卸过滤网的时候，请用两只手进行操作，不能用单手。

全球网站

[www.fujioh.com](http://www.fujioh.com)

FUJIOH INTERNATIONAL TRADING PTE.LTD.

东南亚地区总部

3014A Ubi Road 1 #06-04, Singapore 408703

Tel:(65)6286 3286 Fax:(65)6285 3285

E-mail: [fit@fujioh.com.sg](mailto:fit@fujioh.com.sg)

版次: 2022年第1版