

-FUJIOH-

Built-in Gas Hob

Operating / Installation Manual

FH-GS5030 SVSS

FH-GS5035 SVSS

FH-GS5030 SVGL

FH-GS5035 SVGL

Please read this manual carefully
before using this appliance.

Dear customer,

Thank you for selecting this Fujioh product.

The safety precautions and recommendations provided in the manual are for your own safety. Please keep this booklet for future reference relating to the operation and maintenance of the gas hobs.

This gas hob shall be used for domestic cooking only. Any other usage is strictly prohibited. The manufacturer declines all responsibilities in the event of damages caused by improper, wrong or irrational usage of the gas hob. Read and understand the instructions before installation and operation of the gas hob.

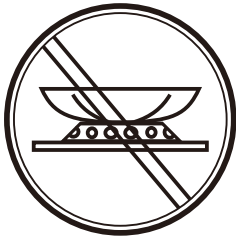
1. Important safety precautions and recommendations

- a. Unpack the gas hob from the carton box and inspect for physical damage. In case of doubt, do not install / operate the gas hob and contact your supplier for professional advice.
- b. Never attempt to modify the gas hob.
- c. This gas hob shall be installed in a well-ventilated room and in compliance with the local regulations.
- d. After cooking, ensure that the gas control knobs are turned back in the off position.
- e. This gas hob can be used by children aged from 14 years old and above if they understand the operation of the gas hobs and aware of the hazards due to improper usage.
- f. Do not touch the parts of the gas hob which is heated by the flame during operation of the gas hob. Note that these parts remain hot for a period after the gas hob is turned off.
- g. Never leave the gas hob unattended during cooking.
- h. Never try to extinguish a cooker fire with water.
- i. If the gas hob is used for a prolonged period, it may be necessary to provide more ventilation by opening more windows.
- j. In the event of the burner flame being accidentally extinguished, turn off the burner control knob and do not attempt to re-ignite the burner for at least one minute.**
- k. When using the hob for the first time, you may smell some odor like burning smell or notice a small emission of smoke. This is NORMAL and is not toxic. This smell will go off after few time of usages.

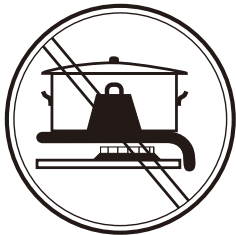
2. Warning symbols for toughened glass gas hob



Do not place anything e.g. flame tamer or asbestos mat, between pan and pan support, as serious damage to the appliance may result.



Do not remove the pan support and enclose the burner with a wok stand, as this will concentrate and deflect heat onto the hotplate.



Do not use large pots or heavy weights that can bend the pan support or deflect flame onto the hotplate.

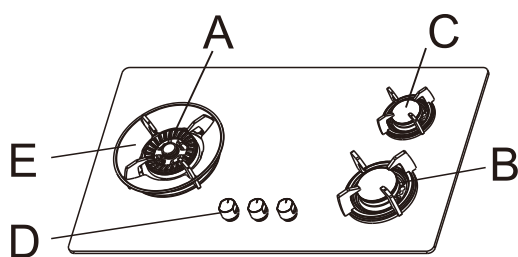


Locate pan centrally over the burner so that it is stable and does not overhang the appliance.

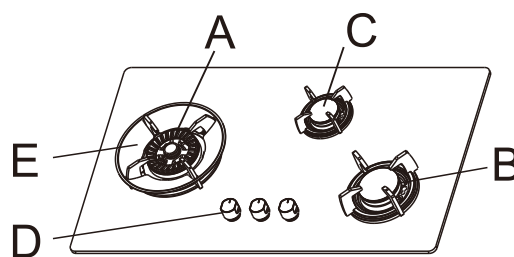


Use only a wok support supplied or recommended by the manufacturer of the appliance.

3. Models and parts of the gas Hob



FH-GS5030SVSS
FH-GS5030SVGL



FH-GS5035SVSS
FH-GS5035SVGL



Ultra-rapid



Semi-rapid



Auxiliary

Gas burners

- A. Ultra-rapid LPG: 5.0 kW / Town gas 4.0 kW
- B. Semi-rapid LPG: 1.8 kW / Town gas 1.8 kW
- C. Auxiliary LPG: 1.4 kW / Town gas 1.4 kW
- D. Burner control knob
- E. Heat deflector

Table 1 – a) Nozzle (Injector) and burner characteristics for Town gas / G110 gas at 10 mbar

Type of burners	Nominal heat input (kW)	Outer ring Ø injectors (mm)	inner ring Ø injectors (mm)
Ultra-rapid	4.0	2.40	1.10
Semi-rapid	1.8	1.80	—
Auxiliary	1.4	1.55	—

Table 1 – b) Nozzle (Injector) and burner characteristics for LPG / G30 gas at 30 mbar

Type of burners	Nominal heat input (kW)	Outer ring Ø injectors (mm)	inner ring Ø injectors (mm)
Ultra-rapid	5.0	0.98	0.48
Semi-rapid	1.8	0.73	—
Auxiliary	1.4	0.60	—

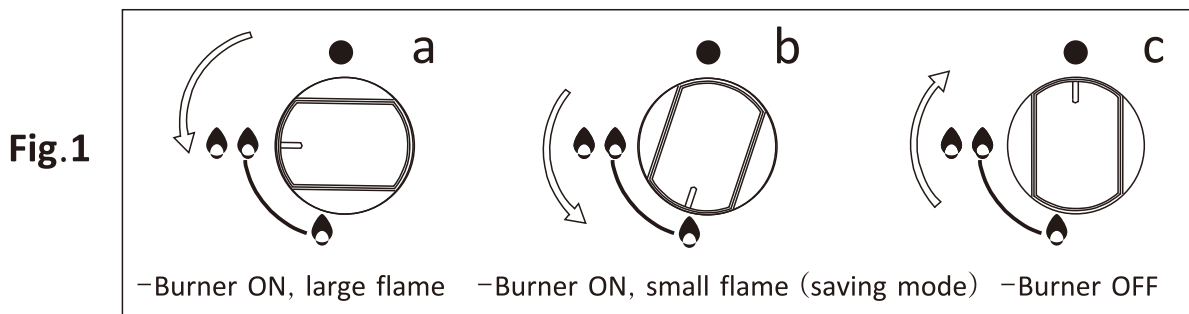
4. How to use the gas hob

Gas burners

The gas flow to the burner can be regulated by turning the corresponding control knob to one of the following positions. (see fig.1)

- OFF (close valve)
- 🔥🔥 High (maximum aperture or flow)
- 🔥 Low (minimum aperture or flow)

The size of flame depends on the position of the related burner control knob



The burner should be set at large flame during the initial phase of the cooking to allow quick boiling of the cooking contents. After boiling then turn the control knob to small flame for slow warming of food or maintaining boiling conditions. Other flame adjustment can be achieved by positioning the indicator between the large flame and small flame. Never adjust the flame size between the large flame and Off position.

Igniting the burners

The appliance is equipped with automatic ignition system and flame failure safety device. To ignite the burner, carried out the following steps:

- a. Press and turn the corresponding control knob anti-clockwise to the large flame position. The gas burner will be ignited.
- b. At this position, hold down the control knob for 5 seconds to allow the flame to heat up the thermocouple.
- c. By this time, release the knob and the flame shall be remained lighted up.
- d. Turn the control knob to achieve the flame as desired.
- e. If the flame can't be lighted, turn the control knob clockwise to the off position. Then repeat step a to step c.
- f. After finished cooking, turn the control knob clockwise to the off position.

Battery Ignition

The automatic ignition system is powered by a 1.5 V battery. If the automatic ignition does not work, check the battery compartment under the gas hob to ensure that the battery is positioned correctly. Replace the battery if necessary (see fig.8).

In the event, the automatic ignition fail to operate, ignite the burner with a match or gas lighter.

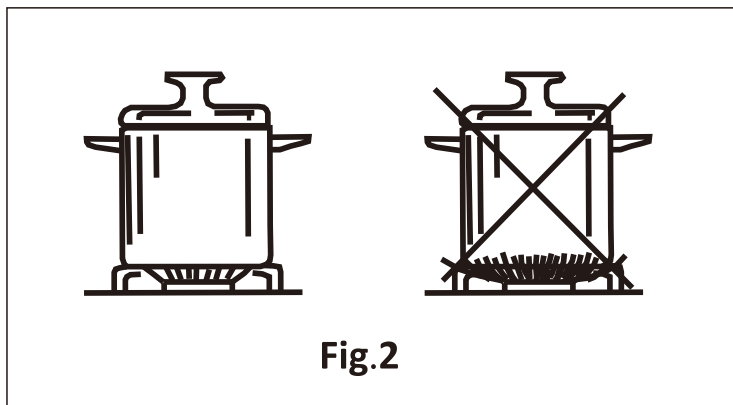
Selection of burners and diameters of pan

On the control panel, near every knob, there is a diagram indicate which burner is controlled by that knob. Select the burner in according to the diameter of the pan used and the heat input.

The recommended burners for the flat bottom pan diameters are as follow:

Types of burners	Pan diameter (cm)
Auxiliary	8 to 14
Semi-rapid	12 to 20
Ultra-rapid	20 to 26

It is important that the diameter of the pan be suitable to the heat input of the burner. During usage, adjustment of the control knob would be required to ensure that the flame do not extend out from beneath the pan (see figure.2) .



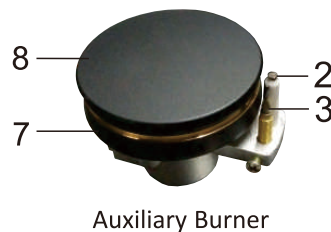
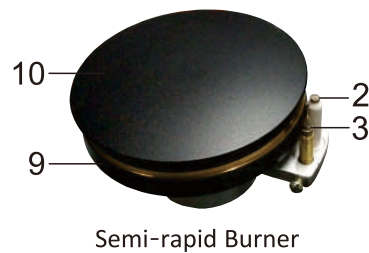
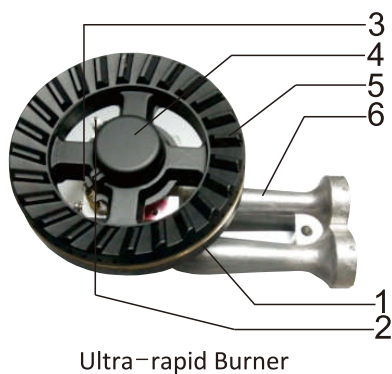
Correct use of Ultra-rapid burner

To use the wok, you need to position the wok directly onto center of the pan support. Recommended wok top open diameter shall not exceed 36 cm. After lighting the burner, adjust the control knob so that the flame length do not extend out from the beneath control knob so that the flame length do not extend out from the beneath of the pan so as to prevent overheating the pan handle (see fig.2).

Flame failure safety device

This gas hob is equipped with flame failure safety device. In the event, the flame is accidentally extinguished, the supply of gas to that burner will be shut off. Before re-lighting the burner, turn off the burner control knob and do not attempt to re-ignite the burner for at least one minute.

Burner Head



1. Large burner cup
2. Ignition electrode
3. Thermocouple
4. Inner cap
5. Outer ring cap

6. Venturi
7. Auxiliary burner cup
8. Auxiliary burner ring
9. Semi-rapid Burner cup
10. Semi-rapid Burner ring



The coating of the appliance burner cups and cups might decolorize or peeled off after the appliance is used. However this will not affect the performance of the appliance.

5. Cleaning and maintenance

Cleaning and maintenance should be carried out after the appliance has turned cold especially when cleaning burner and the cast iron support. Avoid leaving alkaline or acid substances (lemon juice, vinegar etc.) on the surfaces. Avoid using acid or chlorine-based cleaning products.

Caution:

Special care should be taken around the underneath of the appliance as this area is not designed or intended to be touched and may contain sharp or rough edges, that may cause injury. For safety, always wear a pair of rubber gloves while cleaning.

To extend the life of the cooktop, it is absolutely indispensable that the appliance be cleaned carefully and thoroughly on a frequent basis, keeping in mind the following:

- . **CAST IRON PARTS** All of the cast iron parts must be washed only with a sponge and soapy water or with non-abrasive products.
- . **STAINLESS STEEL SURFACES** Stainless steel can be stained if it remains in contact with highly calcareous water or aggressive detergent (containing phosphorous) for an extended period of time. Stainless steel parts must be rinsed with water and dried with a soft and clean cloth, it is also recommended to clean up any spills as soon as possible.
- . **PAINTED PARTS AND SILKSCREEN PRINTED SURFACES** Clean using an appropriate product. Always dry thoroughly. These parts must be cleaned very carefully to avoid scratching and abrasion.
- . **BURNERS AND PAN SUPPORT** These parts can be removed and cleaned with appropriate products.

Cleaning the Wok Burner

The burner crown must always be kept clean. When cleaning the burners, remove the burner caps and use a cotton bud, toothbrush or some other item to clean out any incrustations or dirt from area marked as "H" in Fig.4. This procedure is necessary to ensure the burner functions correctly. Clean the burner caps using needle or toothbrush to remove the dirt and carbon blocking the burner holes. (Fig.5)

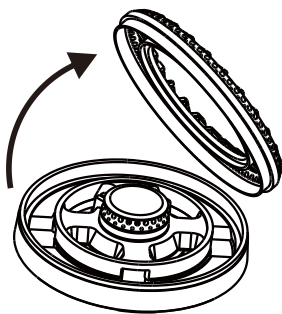


Fig.4

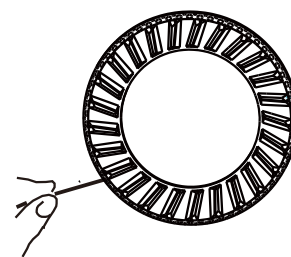
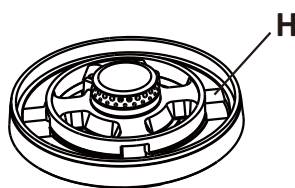


Fig.5

After cleaning the burners and the caps must be well dried and put back correctly. It is very important to check that the burner flame distributor F, burner cap A and cap B has been correctly positioned (Fig.6)-failure to do so can cause serious problem.

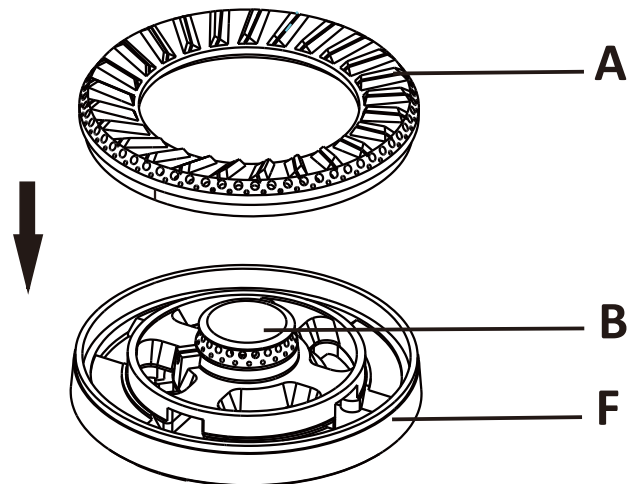


Fig.6

Check that the ignition electrode "S" (Fig.7) is always clean to ensure trouble-free sparking. Check that the probe or thermocouple "T" (Fig.7) is always clean to ensure correct operation of the safety valves. Both the ignition electrode and the thermocouple must be very carefully cleaned.

Note: regular use could cause discoloring around the burners due to high flame temperature.

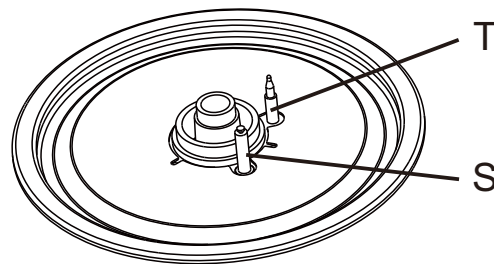


Fig.7

GENERAL ADVICE

- ✓ When the appliance is not being used, it is advisable to keep the gas regulator or TG supply level closed.
- ✓ The gas hob required regular maintenance by qualified technician for its reliable operation. We recommend the gas hob maintenance to be carried out at least once every 18 months.

6. Installing the battery

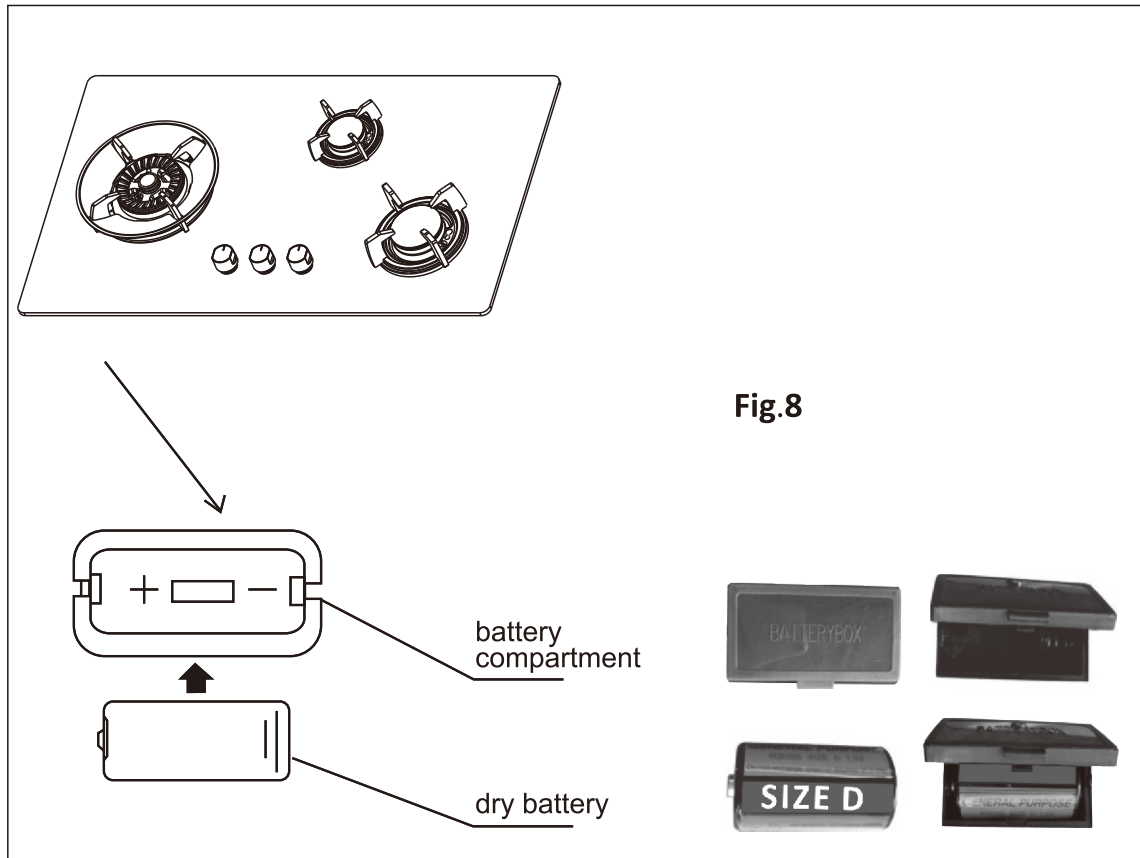
Insert a DC1.5V battery into the battery compartment (see below fig.8) in the cover. This battery is the power supply for the electronic ignition of gas burners.

Notes for battery installation or replacement:

- . Only use a DC1.5Volt battery (size "D")
- . Check for correct polarity (label to the side of the battery compartment).
- . Do not use Alkaline battery.

Important notes:

- . Remove the battery if the cooker is not going to be used for a long time.
- . If the battery weak or leaks, replace it immediately.
- . Avoid touching the leaked liquid and make sure it does not come into contact with clothes or other items.
- . Clean the battery compartment carefully before installing the new one.
- . Note: The battery is a potential source of danger for children. Keep them away.
- . Dispose the flat batteries properly.



7. Installations instructions

IMPORTANT

- . The appliance should be installed, regulated and adapted to function with other types of gas by a QUALIFIED INSTALLATION TECHNICIAN. Failure to comply with this condition will render the guarantee invalid.
- . **The appliance must be installed in compliance with regulations in force in your country and in observation of the manufacturer's instructions.**
- . **Some appliances are supplied with a protective film on steel and aluminum parts.** This film must be removed before using the cooker.
- . **The appliances must be housed in heat resistant units.**
- . **The walls of the units must not be higher than work top and must be capable of resisting temperatures of 75°C above temperature.**
- . **Do not install the appliance near inflammable materials (eg.curtain).**
- . **Incorrect installation, for which the manufacturer or distributor accepts no responsibility, may cause personal injury or damage.**

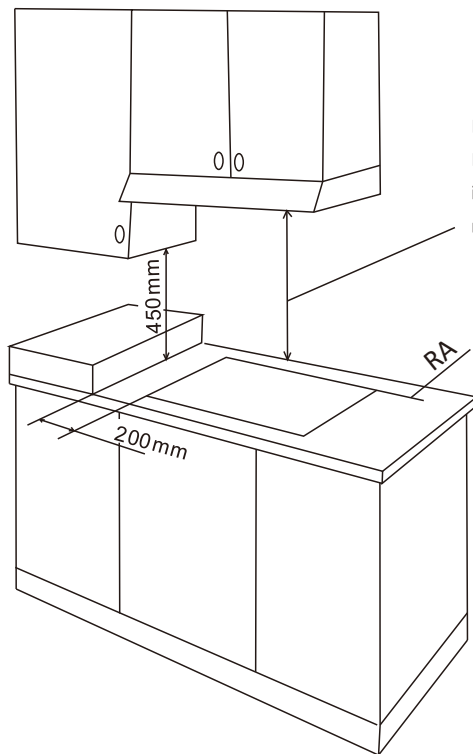
TECHNICAL INFORMATION

The appliance is designed to be embedded into kitchen fixtures measuring 600 mm in depth.

In order to install appliance into the kitchen fixture, a hole with the dimensions shown at the cutting size board (Fig.11) has to be made, keeping in consideration the followings:

- ✓ Within the unit, between the bottom of the cooktop and the upper surface of any other appliance or internal shelf, there must be a clearance of at least 10-15 cm (Fig.13).
- ✓ The cooker top must be kept no less than 200 mm away from any side wall.
- ✓ The hob must be installed at least 70mm away from the rear wall(Fig.10).
- ✓ For kitchen cabinet – At least 750mm apart
For extractor hood -Please refer to individual Hood instruction manual for the minimum distance/height.
- ✓ It is essential to install a heat baffle between the bottom of the hob and the underlying unit.

No conversion to different gases of another family is recommended, this appliance shall use the gas of the family that it is designed for and adjusted at factory.



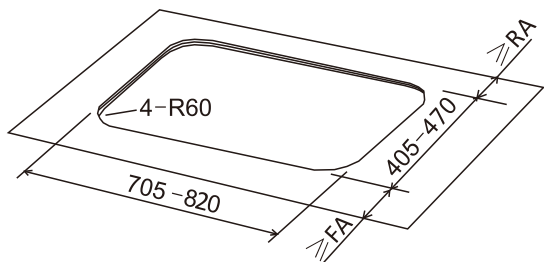
For kitchen cabinet – At least 750mm apart
 For extractor hood -Please refer to individual Hood instruction manual for the minimum distance/height.

Fig.10

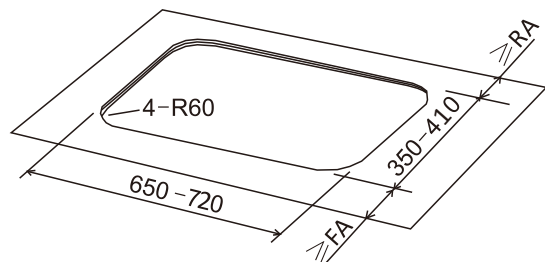
CUT-OUT DIMENSION & REPLACEMENT SIZE

Please be ensure to use the correct dimensions as shown below for installation.

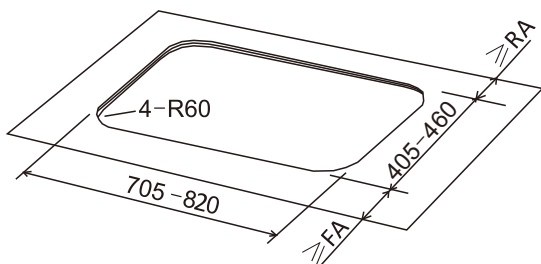
Model	Cut Out Dimension(mm)		Replacement size(mm)	Height(mm)
FH-GS5030 SVGL	W705×D405	FA70×RA70	W(705-820)×D(405-470) × R60	100
FH-GS5030 SVSS		FA30×RA95	W(705-820)×D(405-460) × R60	
FH-GS5035 SVGL	W650×D350	FA64×RA72	W(650-720)×D(350-410) × R60	100
FH-GS5035 SVSS		FA32×RA99	W(650-710)×D(350-400) × R60	



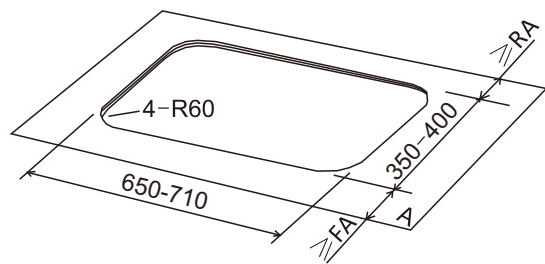
FH-GS5030 SVGL



FH-GS5035 SVGL



FH-GS5030 SVSS

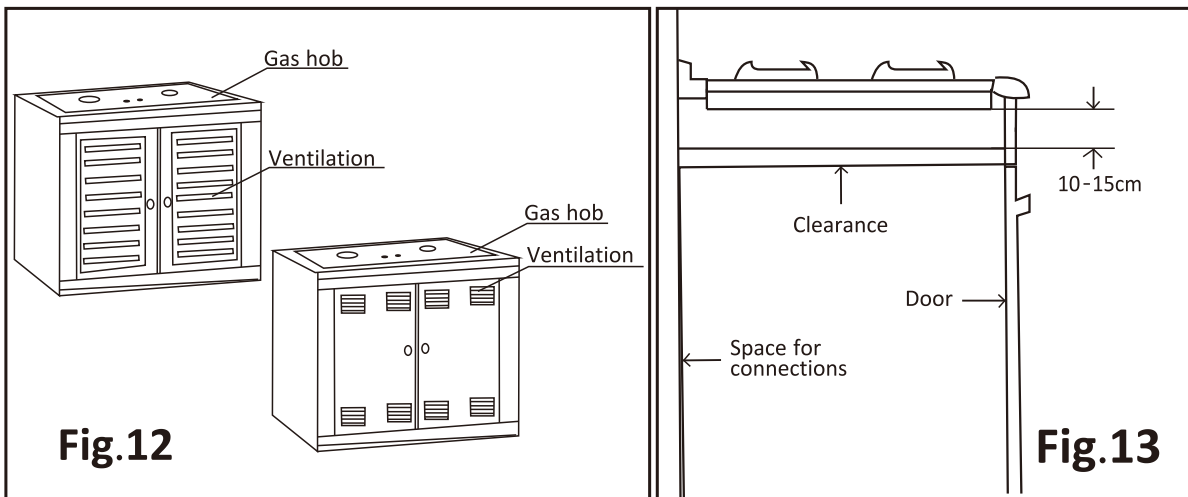


FH-GS5035 SVSS

Fig.11

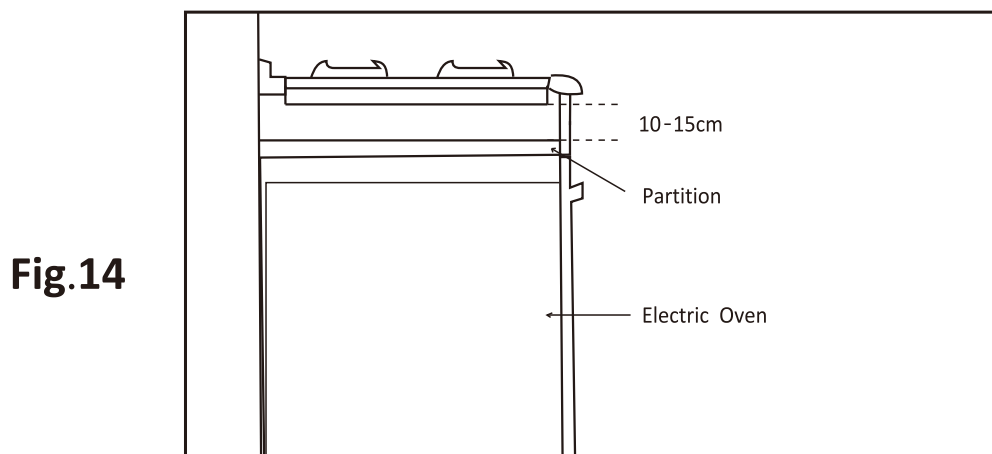
INSTALLATION OF GAS HOB IN KITCHEN CABINET WITH DOOR

The cabinet has to be made in accordance to specific requirements to ensure proper operation of the gas burners when the flame is turned down to minimum, pressure change while opening and closing the cabinet doors. The cabinet should have openings to facilitate ventilation (see Fig.12 & 13).



INSTALLATION OF BUILT-IN OVEN UNDER THE GAS HOB

If there is a built-in oven set to be installed under gas hobs, it is required that a horizontal partition with high temperature resistant material is built in between the gas hob and built-in oven. The distance between the surface of this partition to the under surface of the gas hob must be at least 10-15cm to allow air circulation and protect the rubber gas tubing from the heat of the built-in oven (see Fig.14).



VENTILATION REQUIREMENT

The appliance must be installed in compliance with applicable local regulations concerning ventilation and the evacuation of exhaust gases.

Intensive and prolonged use may need additional ventilation, for example, opening of a window or to have a more efficient ventilation.

CHOOSING SUITABLE SURROUNDINGS

The room where the gas appliance is to be installed must have a natural flow of air so that the gas can burn. The flow of air must come directly from one or more openings made in the out-side walls with a free area of at least 100cm² .

The openings should be near the floor and preferably on the side opposite the exhaust for combustion products and must be so made that they cannot be blocked from either the outside or the inside.

When these openings cannot be made, the necessary air can come from an adjacent room which is ventilated as required, as long as it is not a bedroom or a dangerous area. In this case the kitchen door must allow the passage of the air.

8. Inlet gas connection

IMPORTANT:

- . The appliance should be installed, regulated and adapted to function with other types of gas by a QUALIFIED INSTALLATION TECHNICIAN.
- . The appliance is fitted with specified gas type as shown in the specification nameplate and cannot be used or converted to any other type of gas.

INSTALLATION

The appliance is predisposed and adjusted to operate with the gas indicated on the specifications nameplate located at the bottom of the appliance.

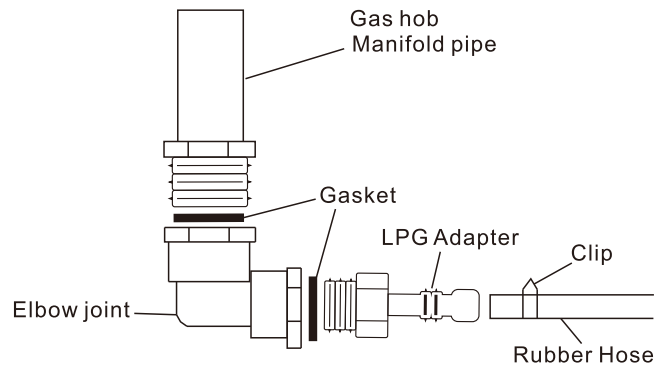
Please ensure that the intended gas type used corresponds with that specified on the nameplate.

GAS CONNECTION FOR GAS HOB

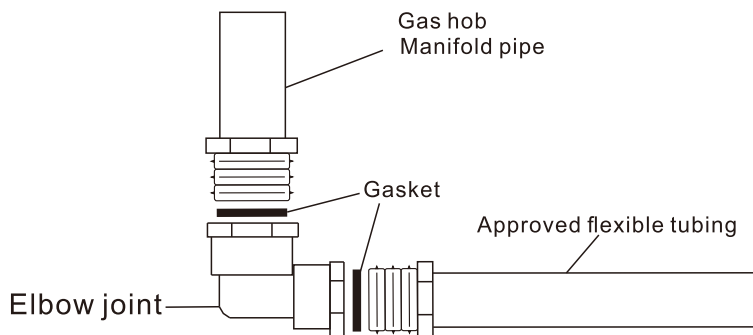
The appliance should be connected to the gas-supply by licensed installer. During installation of this appliance, it is essential to fit an approved gas tap to isolate the supply from the appliance for the convenience of any subsequent removal or servicing. Connection of the appliance to the gas mains or liquid gas must be carried out according to the prescribed regulation in force, and only after it is ascertained that it is adaptable to the type of gas to be used. In the case of connection to liquid gas, by tank, use pressure regulators that conform to the regulation in force. Connection to the gas course must be done in such a way that not to create any stress points any part of the appliance.

IMPORTANT: For safety, for the correct regulation of gas use and long life of the appliance, ensure that the gas pressure conforms to the indications given in table 1 "Nozzle and burner characteristics" .

For LPG



For Town Gas & Natural Gas



TESTING OPERATION

After the gas pipe connection has been completed, the gas leak test **MUST BE** performed before the installation is considered completed.

After connecting to the mains, check that all the couplings are correctly sealed, using soap solution.

NEVER use a naked flame. If bubbles appear, please close the gas valve immediately and re-adjust the gas connection before re-test the appliance.

9. Gas hob not functioning

In the event of any abnormal situations or malfunctions of the gas hobs, do not attempt to rectify the situations or repair the gas hobs. Contact the customer service center as spelt out in the warranty card for assistance. When contacting customer service center, please provide the model number.

Global Website
www.fujioh.com

FUJIOH INTERNATIONAL TRADING PTE.LTD.

Southeast Asia Regional Headquarters

3014A Ubi Road 1 #06-04 SINGAPORE 408703

Tel: +(65) 6286 3286 Fax: +(65) 6285 3285

E-mail: fit@fujioh.com.sg